

IMS 2630

8Kx8

IMS 2620

16Kx4

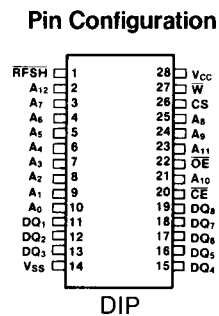
IMS 2600

64Kx1

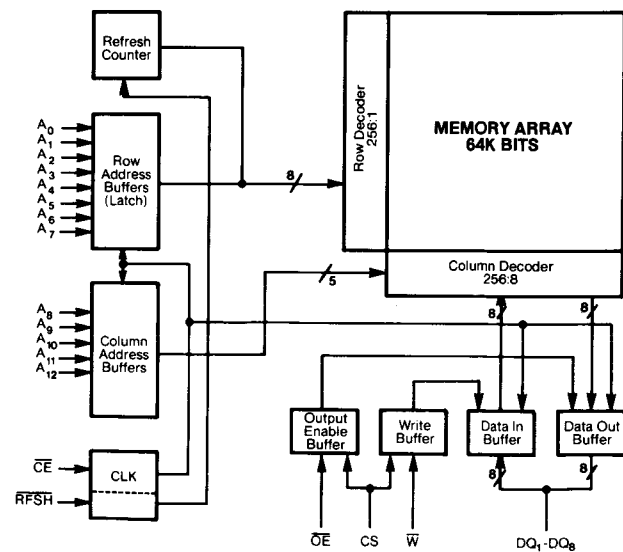
Features

- Byte wide 64K memory
- CE access times of 120 and 150ns
- Cycle times of 190 and 240ns
- Non-multiplexed addressing
- On chip refresh counter for pin 1 hidden refresh
- 4ms, 256 cycle refresh
- Low power 300mW active
30mW standby
- JEDEC standard pinout for byte wide memory devices

Pin Names	
A ₀ -A ₁₂	ADDRESS INPUTS
CE	CHIP ENABLE
CS	CHIP SELECT
W	WRITE ENABLE
OE	OUTPUT ENABLE
DQ ₀ -DQ ₇	DATA IN/DATA OUT
V _{CC}	+5V SUPPLY
V _{SS}	GROUND
RFSH	REFRESH ENABLE



Block Diagram



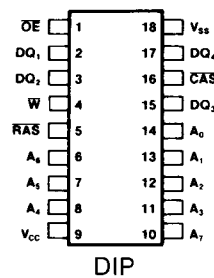
Features

- High performance 16Kx4 dRAM
- RAS Access of 100, 120 and 150ns
- Cycle times of 160, 190 and 230ns
- OE control for high speed access
- On chip refresh assist using $\overline{\text{CAS}}$ before $\overline{\text{RAS}}$
- 4ms, 256 cycle refresh
- 25 Mbit data rate

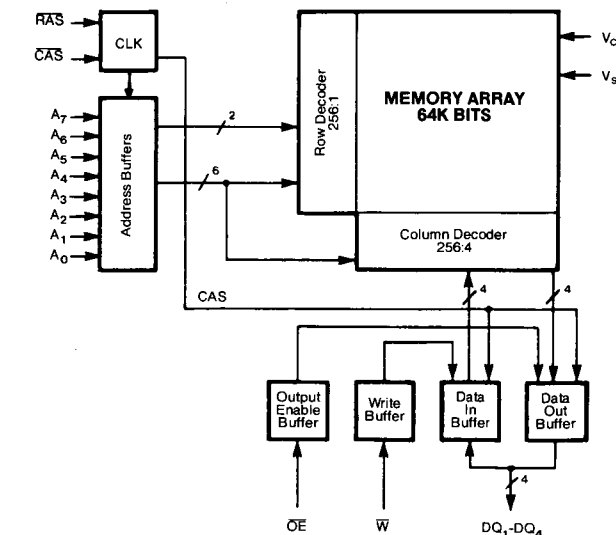
Pin Names	
A ₀ -A ₇	ADDRESS INPUTS
CAS	COLUMN ADDRESS STROBE
RAS	ROW ADDRESS STROBE
DQ ₁ -DQ ₄	DATA IN/DATA OUT
OE	OUTPUT ENABLE
W	WRITE ENABLE
V _{CC}	+5V SUPPLY
V _{SS}	GROUND

*Row Addresses A0-A7
Column Address A1-A6

Pin Configuration



Block Diagram

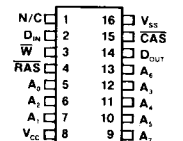


Features

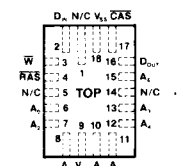
- $\overline{\text{RAS}}$ access of 100, 120 and 150ns
- Random Read and Write cycle times of 160, 190 and 230ns
- On chip refresh assist using $\overline{\text{CAS}}$ before $\overline{\text{RAS}}$
- 4ms, 256 cycle refresh
- 55, 65 and 75ns Read or Write cycle in Nibble Mode
- Indefinite D_{OUT} hold under $\overline{\text{CAS}}$ control
- High performance 64Kx1 dRAM

Pin Names	
A ₀ -A ₇	ADDRESS INPUTS
CAS	COLUMN ADDRESS STROBE
RAS	ROW ADDRESS STROBE
D _{IN}	DATA IN
D _{OUT}	DATA OUT
W	WRITE ENABLE
V _{CC}	+5 VOLT SUPPLY INPUT
V _{SS}	GROUND

Pin Configuration

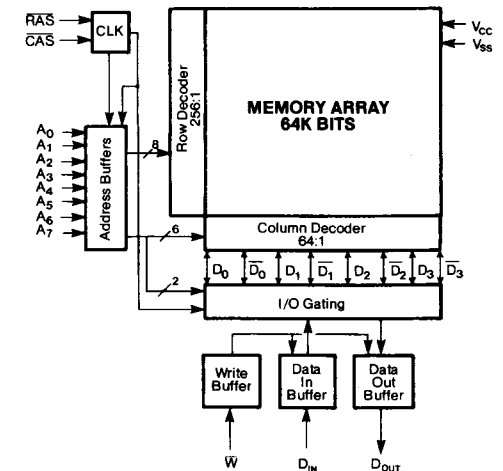


DIP

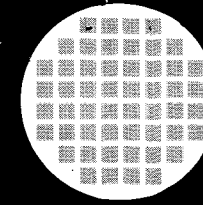


Chip Carrier

Block Diagram

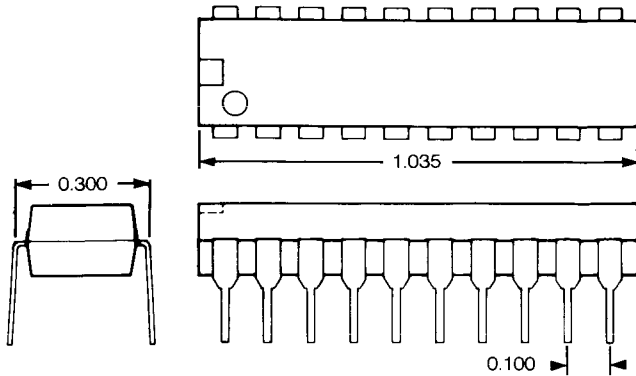


Device Packaging

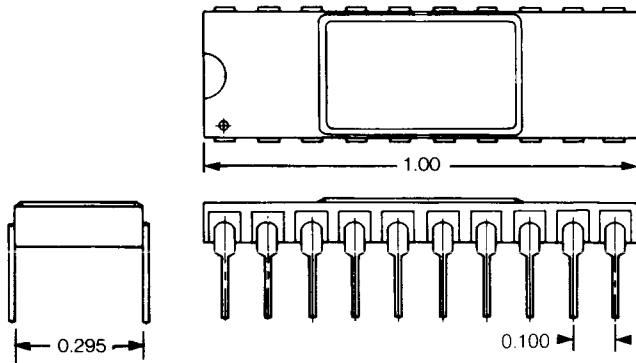


inmos
STATIC RAM

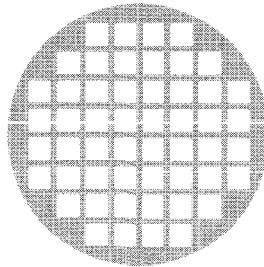
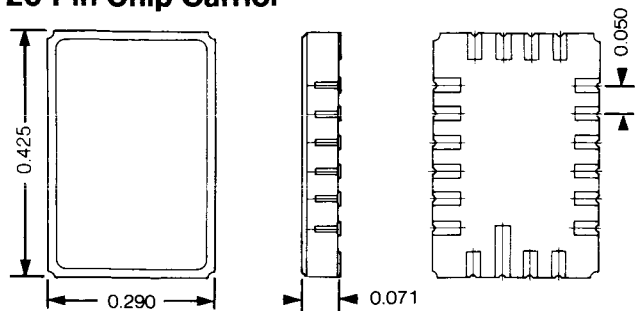
20 Pin Plastic Dual-in-Line



20 Pin Ceramic Dual-in-Line



20 Pin Chip Carrier



inmos

INMOS Limited Whitefriars Lewins Mead Bristol BS1 2NP United Kingdom
Telephone (0272) 290861 Telex 444723

INMOS GmbH Untere Hauptstrasse 7 8057 Eching West Germany
Telephone Munich (089) 3191028 Telex 522645

INMOS Corporation PO Box 16000 Colorado Springs Colorado 80935 USA
Telephone (303) 630 4000 TWX 910 920 4904

inmos, IMS, occam and transputer are trade marks of the INMOS Group of Companies

data card 3
data card 3
data card 3
data card 3
data card 3