

TEAC®

HARDWARE INSTALLATION GUIDE

TAPE 1400

MODEL: FT3020

TABLE OF CONTENTS

This Installation Guide may be used for the TAPE1.4GB, TAPE700 and COMBO700 units.

| | |
|--|-----|
| PRODUCT WARRANTY | 1 |
| 1. CAUTIONS | 2 |
| 2. TOOLS YOU MAY NEED | 2 |
| 3. KIT DESCRIPTION | 3 |
| 4. CONNECTIONS, CONTROLS & FUNCTIONS | 3-4 |
| 5. BEFORE YOU START | 5 |
| 6. NETWORK OPERATION | 5 |
| 7. HARDWARE INSTALLATION | 6-8 |
| 8. CONFIGURING THE FLOPPY DRIVE FOR COMBO700 | 8-9 |
| 9. TAPE LOADING AND EJECTION | 9 |
| 10. SPECIFICATIONS | 10 |
| 11. RECOMMENDED TAPE MEDIA | 11 |
| 12. TECHNICAL SUPPORT | 11 |

Product Warranty

The user who makes changes or modifies the unit or operating procedures specified herein without express written approval by the manufacturer will void the warranty.

◆ *Specifications and features subject to change without notice or obligation.*

CAUTIONS

1. The tape drive unit is a precision electronic device. Do NOT use it in a manner other than specified in this Installation Guide.
2. NEVER try to open the unit by yourself for inspection or repair. Doing so may cause damage or operational failure and will void the warranty.
3. Refer to this manual for installation, operation and maintenance procedures. If any repairs are required, contact your distributor or dealer from whom you purchased the unit.
4. Precautions during placement:
 - When installing the tape drive unit in the host computer horizontally, the LED on the front panel will be on the left side. When installing the tape drive unit vertically the LED on the front panel can be either above or below the opening for the tape cartridge.
 - Avoid placing the unit (or host computer) in direct sunlight or near heating apparatus; place the unit in a clean moisture-free environment.
5. Do NOT apply solvents such as thinner, benzene, or alcohol to the unit, as these may blemish the surface of the drive. When cleaning the drive, wipe off dirt using a soft dust-free cloth.
6. If the tape drive unit does not operate normally even after being connected properly, contact the representative from whom you purchased the unit or our Technical Support number. If problems arise, and you need to take or send the unit to your place of purchase, please re-use the original packing materials.
7. Do NOT vibrate or apply any shocks to the drive (or the host computer).

TOOLS YOU MAY NEED

Depending on the design of your computer, you may need the following tools to complete the installation.

- A flat blade screwdriver
- A Phillips screwdriver
- Needle-nosed pliers



KIT DESCRIPTION

Your tape drive Kit comes complete with:

- (1) Tape drive unit
- (2) Hardware Installation Guide
- (3) Software Installation Guide
- (4) Registration card
- (5) Arcada backup software program disks for DOS and Windows™
- (6) Tape drive interface data cable
- (7) Mounting screws
- (8) Mounting brackets for mounting in a 5 1/4" bay (Included with TAPE700 Kit and TAPE1.4GB Kit only)

◆ *Note:* If all items are not contained in your Kit, please return it to the dealer you purchased it from.

CONTROLS, CONNECTIONS AND FUNCTIONS

**TAPE700/
TAPE1.4GB**

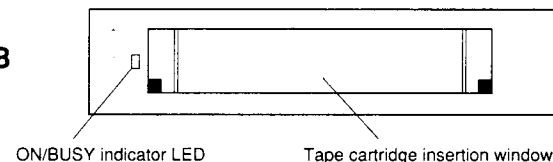


Fig.1 Front View

Strap switch - Preset Factory Setting

Please verify the device configuration jumpers are set as shown below.

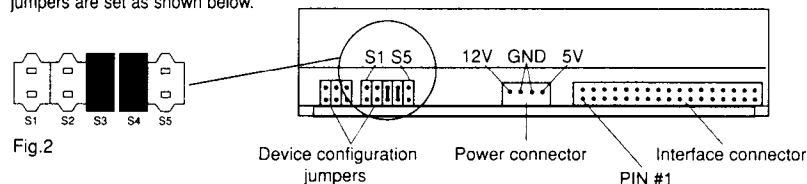


Fig.2

Fig.3 Rear View

The jumpers are preset at factory for all PC configurations. DO NOT change any of the default settings.

CONTROLS, CONNECTIONS AND FUNCTIONS (continued)

COMBO700

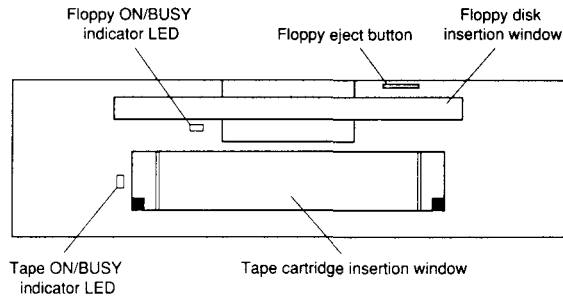


Fig.4 Front View

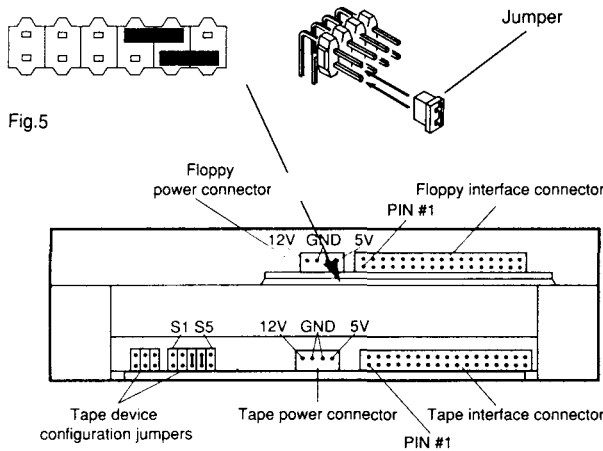


Fig.6 Rear View

Tape Device Configuration Jumpers

Please verify the device configuration jumpers are set as shown in Fig. 2 on the previous page. The jumpers are preset at the factory for all PC configurations. DO NOT change any of the default settings.

Floppy Configuration Jumpers

Please verify the device configuration jumpers are set as shown in Fig. 5. The jumpers are preset at the factory for all PC configurations. DO NOT change any of the default settings.

BEFORE YOU START

System Requirements

- IBM or IBM-compatible personal computer, 386 or higher processor.
- One available 3 1/2", (TAPE700 OR TAPE1.4GB) bay or 5 1/4" bay (TAPE700, TAPE1.4GB or COMBO700).
- ◆ *Caution:* The tape drive interface data cable provided can be used in IBM PC/AT or 100% IBM-compatible PCs only.

If you will be installing the Arcada backup software through Windows™, you will need the following:

DOS: 386 or higher processor, 500 KB RAM minimum, 1.7 MB free disk space, DOS 3.1 or higher.

Windows: 386 or higher processor, 4 MB RAM minimum, 1.7 MB free disk space, Windows 3.1 or higher.

NETWORK OPERATION

The tape drive of your Combo700, TAPE700 or TAPE1.4GB will backup and restore files on network drives and will restore files on local and network drives when running under NetWare® (Versions 2.x and 3.x), LANtastic™ and Banyan Vines™. Important files stored on a network server can easily be included in regular backups.

HARDWARE INSTALLATION

Select a free drive bay and remove its cover plate OR remove an existing floppy drive so you can install the tape drive unit in its place.

1. Turn off your computer, monitor and any other peripherals.
2. Unplug your computer, monitor and any other peripherals.

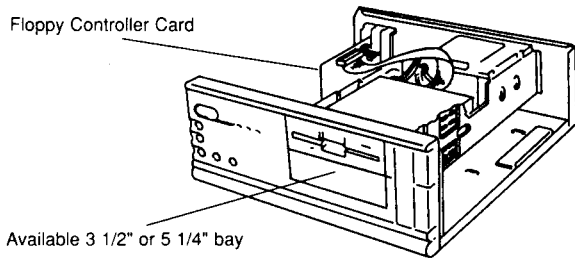


Fig.5

3. Unscrew and remove the cover from the computer.
4. Remove the cover plate from the free bay OR remove an existing floppy drive.
5. Currently, your floppy drives are connected to your floppy controller board with an existing cable as shown below:

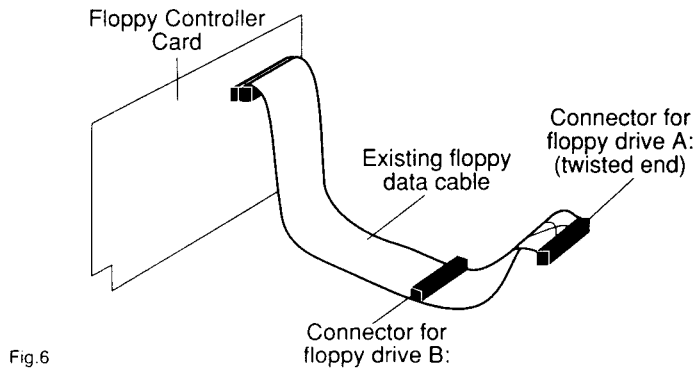


Fig.6

HARDWARE INSTALLATION

(continued)

When installing your tape drive unit, you will connect the tape drive interface data cable as shown in the appropriate figure below.

TAPE700/TAPE1.4GB

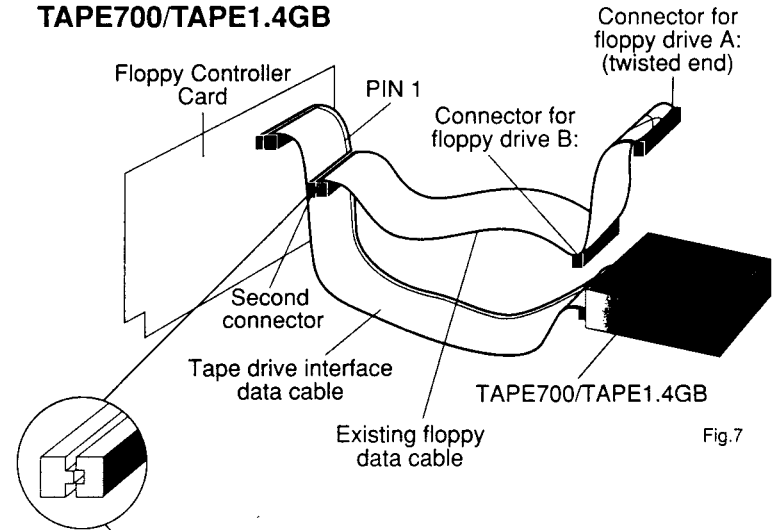


Fig.7

COMBO700

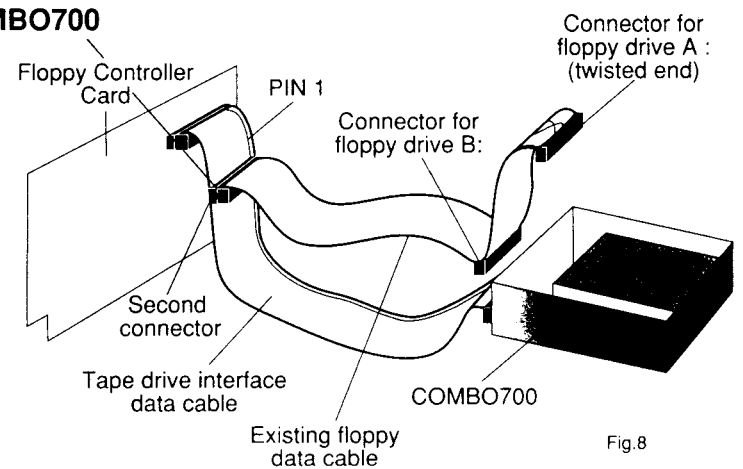


Fig.8

HARDWARE INSTALLATION

(continued)

6. Plug the tape drive interface data cable into the back of the tape drive as shown.
7. Route the tape drive interface data cable through the drive bay opening and slide the tape drive unit into the drive bay.
8. Follow the flat ribbon cable from the back of the existing floppy drive to the floppy controller. Make a note of the orientation of the color stripe, indicating Pin 1 on the cable, then unplug this cable from the floppy controller.
9. Match the color stripes on the two cables, then plug your floppy drive data cable into the second connector on the tape drive interface data cable.
10. Plug the remaining end of the tape drive interface data cable into the floppy controller card. Orient the color stripe as noted in Step 8.
11. Find any unused power cable inside your computer and plug it into the back of the tape drive unit. The COMBO700 comes with a dual power adapter. The power connector is keyed so that you can only plug it in one way. Press firmly until the connector snaps into place.
12. Secure and ground the tape drive unit in the bay, if necessary.
 - ◆ *Note:* You do not need to change your CMOS settings when you install the TAPE700 or TAPE1.4GB.
13. If you are installing the TAPE700 or TAPE1.4GB, put the cover back on your computer. For the COMBO700 installation, continue on to the next section.

CONFIGURING THE FLOPPY DRIVE FOR COMBO700

1. To configure the floppy drive of the COMBO700 unit as your A drive, connect the built-in floppy drive to Connector A: on the existing floppy drive data cable. Connector A: is the end connector of that cable as shown in Figure 6. Connector A: must be used if this is the only floppy drive in your system.

CONFIGURING THE FLOPPY DRIVE FOR COMBO700 (cont'd)

2. To configure as your B: drive, connect the built-in floppy drive of your COMBO700 to Connector B: on the existing floppy data cable. Connector B: is the middle connector of the existing floppy data cable as shown in Figure 8.
3. Connect the ground cable if your system requires it.
 - ◆ *Note:* You DO NOT need to change your CMOS settings when you install the COMBO700, IF the floppy drive you have removed is a 1.44MB floppy drive type.
You MUST change your CMOS settings if the built-in floppy drive is different than the drive you removed. Consult your computer system manual for how to change the CMOS settings.

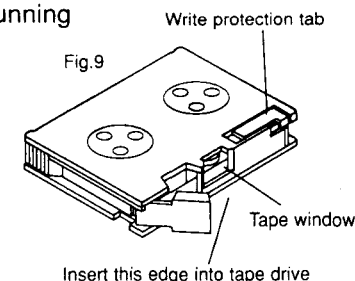
TAPE LOADING AND EJECTION

Tape Loading

1. Hold the tape with the label facing upward and the tape window facing the drive.
2. Insert the tape into the tape drive slot keeping the tape as straight as possible while pushing the center of the tape until the tape cartridge snaps and locks into place. When fully inserted, the tape cartridge extends approximately 0.5" out.

Tape Ejection

1. Hold tape and firmly remove it straight out from drive.
 - ◆ *Caution:* To prevent the tape from becoming excessively loose and causing damage:
 - DO NOT eject a tape while it is running and the LED is on.
 - DO NOT switch the power off while a tape is running.
2. After ejection, store the tape in a tape carrying case until it is to be used again.



SPECIFICATIONS

| | COMBO700™ | TAPE700™ | TAPE1.4GB™ |
|------------------------------|---|--|--|
| Model: | FF-3010/700/KIT | FT-3010/KIT | FT-3020/KIT |
| Dimensions: | 5.75" x 6" x 7.6" (W/H/D) | 3.9" x 1" x 5.9" (W/H/D) | 3.9" x 1" x 5.9" (W/H/D) |
| Interface: | Floppy | | |
| Capacity: | 350MB Native 700MB Compressed | 700MB Native 1.4GB Compressed | 700MB Native 1.4GB Compressed |
| Data Transfer Speed: | Supports Dual Speed 500Kbps and 1Mbps (TEAC Hi-Speed controller or 2.88 FDD controller) | Supports 500Kbps, 1Mbps (TEAC Hi-Speed controller) & 2Mbps (TEAC Super-Speed controller) | Supports 500Kbps, 1Mbps (TEAC Hi-Speed controller) & 2Mbps (TEAC Super-Speed controller) |
| Tape Format: | QIC-3010-MC | QIC-3010-MC | QIC-3020-MC |
| Downward Read Compatibility: | QIC-40, QIC-80 | QIC-40, QIC-80 & QIC-3010 | QIC-40, QIC-80 & QIC-3010 |
| MTBF: | 119,000 POH (Typical Duty) | | |

Floppy Drive (COMBO700 only)

| | |
|------------------|--|
| Disk Format: | Supports 720KB and 1.44MB Floppy Formats |
| CMOS Drive Type: | 3.5", 1.44MB |

RECOMMENDED TAPE MEDIA

For TAPE700 & COMBO700 tape drives.

| Manufacturer | 400' Long Max. Capacity: Up to 680MB Compressed | | 295' Long Max. Capacity: Up to 500MB Compressed | |
|--------------|---|-------------|---|-------------|
| | Formatted | Unformatted | Formatted | Unformatted |
| TEAC | QIC-3010 MC | | | |
| 3M | MC-3000XL PIMAT | MC-3000XL | MC-3000 PIMAT | MC-3000 |
| Verbatim | MC-3000XL QIC-3010 MC Format | MC-3000XL | MC-3000 QIC-3010 MC Format | MC-3000 |
| Gigatek | MC-3000XL Formatted | MC-3000XL | - | - |

For TAPE1.4GB tape drive.

| Manufacturer | 400' Long Max. Capacity: Up to 1.4GB Compressed |
|--------------|---|
| | Formatted |
| TEAC | QIC-3020 MC |
| 3M | MC-3000XL TAUMAT |
| Gigatek | MC-3000XL QIC-3020 |

TECHNICAL SUPPORT

Refer to the Software Users Guide for technical support telephone number.

All names indicated by ® and ™ are registered trademarks of their respective companies. Printed in the USA. Features and specifications subject to change without notice. Manufacturer reserves the right to substitute manuals and accessories based upon availability. © 1995 TEAC Corporation.