

CS-235

5.25" ADAPTOR KIT FOR FD-235 SERIES
MOUNTING INSTRUCTIONS

TEAC

TEAC CORPORATION: 3-7-3, Naka-cho, Musashino, Tokyo, Japan Phone(0422) 52-5041

TEAC CORPORATION OF AMERICA: 7733 Telegraph Road, Montebello,

California 90640, U.S.A. Phone: (213) 727-7682

© Copyright TEAC CORPORATION 1988

D-188 0788

TEAC[®]
TEAC CORPORATION

1. APPLICATION

This instruction guide provides assembling method for integration of a TEAC FD-235 series, 3.5" micro floppy disk drive (hereinafter referred to as the FDD) with this TEAC CS-235, 5.25" adaptor kit.

When you connect a TEAC FDD to *IBM PC/XT or AT, we recommend the following models. The FDD must be purchased separately.

Unformatted data capacity	User data capacity	TEAC FD-235 models	TEAC CS-235 models	Bezel color
1MB	720KB	FD-235F-100	CS-235-00	Black
1MB	720KB	FD-235F-112	CS-235-03	Gray-AT
2/1MB	1.44MB	FD-235HF-101	CS-235-00	Black
2/1MB	1.44MB	FD-235HF-117	CS-235-03	Gray-AT

Table 1 Recommended models and bezel color

*Note: IBM is a registered trade mark and IBM PC/XT and AT are trade marks of International Business Machines Corporation.

2. ADAPTOR PARTS LIST AND TOTAL ASSEMBLY DRAWING

Nos.	Parts Nos.	Parts Name	Q'ty
1	16153616-00	Chassis 5"	1
2	16788123-00	Front bezel 5", Black	1
	16788123-03	Front bezel 5", Gray-AT	
3	15532119-00	PCBA 5" adaptor	1
4	13189135	Terminal, Faston 187	1
5	13061957-00	Power cable Ass'y	1
6	16787587-00	Slide rail A (R)	1
7	16787587-01	Slide rail B (L)	1
8	16410305	Screw, 3 x 5 SZMC	9
9	16499142-00	Screw, UNC 6-32	4

Table 2 Parts list of CS-235 kit

*Note: Slide rails are used for assembling in PC/AT.

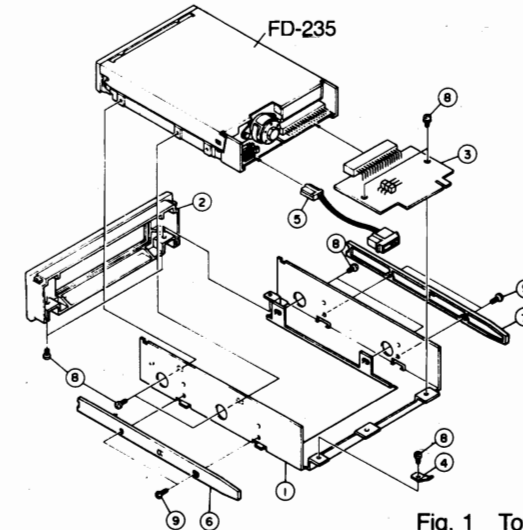


Fig. 1 Total assembly

3. ASSEMBLING PROCEDURE

3-1. Notes for Assembling

- (1) Be sure to switch the power off of your system before connecting or disconnecting the interface cable.
- (2) FD-235 must be handled with care so undue force or abnormal strain is not applied to its spindle motor, stepping motor, and printed circuit board.
- (3) Never loosen the fixing screws of FD-235 printed circuit board, etc.
- (4) Do not touch the surface of FD-235 printed circuit board.

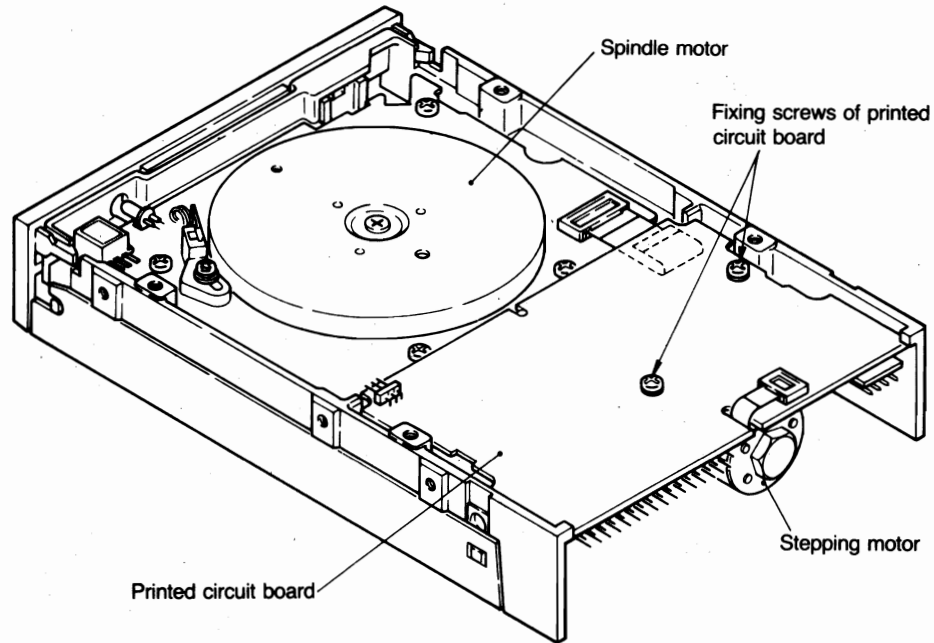


Fig. 2 FD-235 bottom view

3-2. Front Bezel Attachment

Expand the front side of the 5" chassis slightly. Then put in the side hook of the front bezel to the cutting portion of the chassis. Refer to arrow marks in Fig. 3. Tighten two screws from the bottom side, pushing the bezel to the chassis.

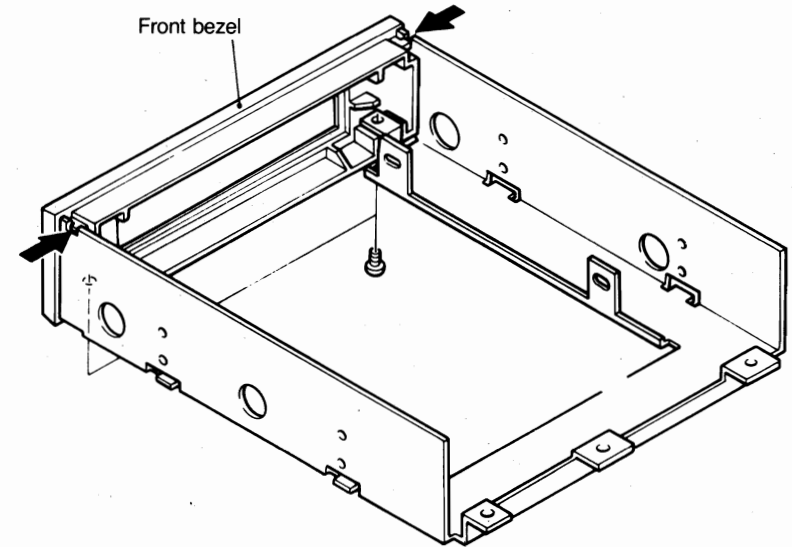


Fig. 3 Front bezel assembling

3-3. FD-235 Assembly

Push the FD-235 to the back side of the bezel and tighten four screws (3×5 SZMC) from each side.

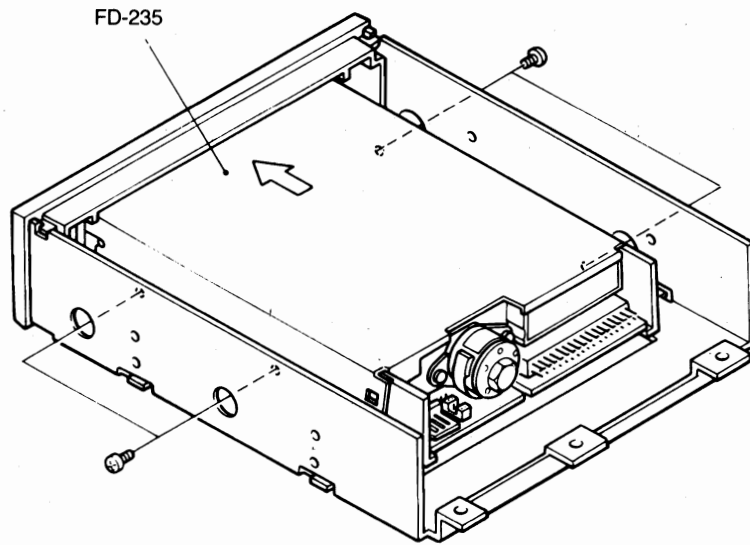


Fig. 4 FD-235 assembling

3-4. Slide Rails Attachment

Attach the slide rails A (right side) and B (left side) by four screws (UNC 6-32) as shown in Fig. 5, when required.

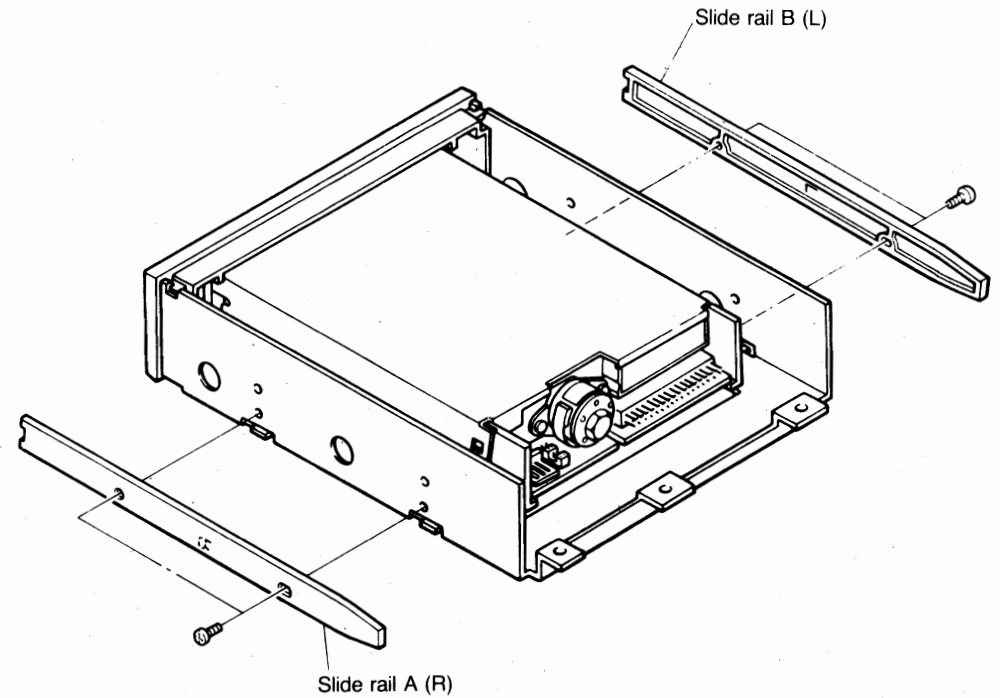


Fig. 5 Slide rails attachment

3-5. PCBA 5" adaptor and Faston terminal mounting

Connect the PCBA 5" adaptor and FD-235 by pin header connector. Then fix the PCBA and Faston terminal to the chassis by three screws as shown in Fig. 6. Connect the power cable to the FD-235 power connector.

*Note: Be sure to insert PCBA 5" adaptor to match with two-line of pin header connector.

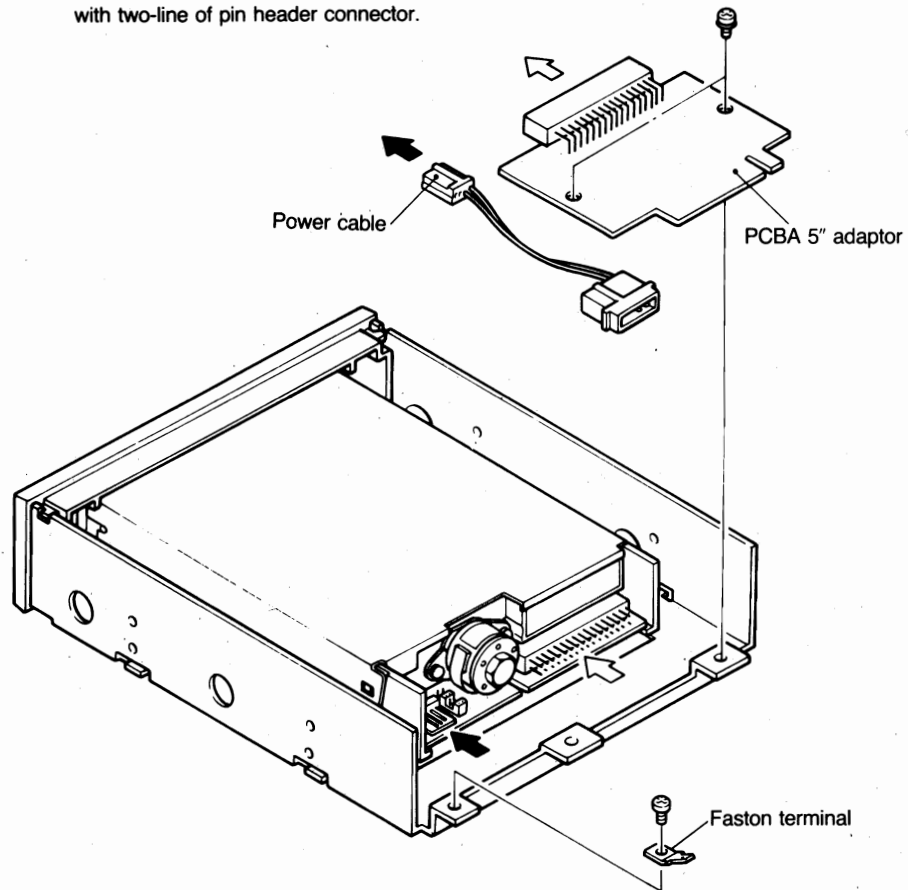


Fig. 6 Assembling of PCBA 5" adaptor and Faston terminal

3-6. Complete Assembly

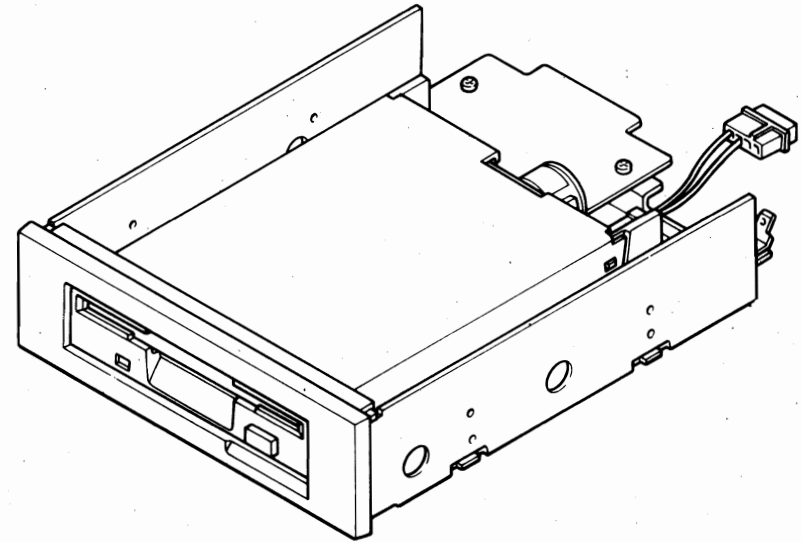


Fig. 7 Complete assembling

3-7. Straps on PCBA 5" Adaptor

The following shows the function of the straps (short bar) on the PCBA 5" adaptor.

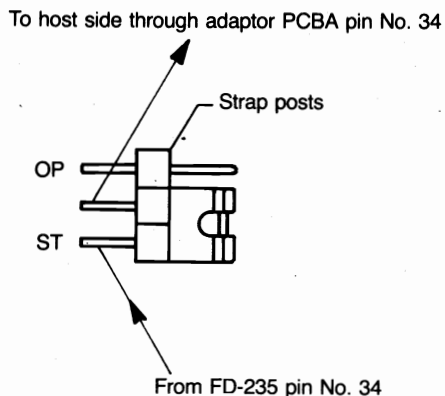


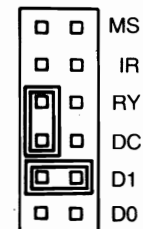
Fig. 8 Straps on PCBA 5" adaptor

- (1) ST strap
When this strap is on-state, output signal from interface pin No. 34 of FD-235 is connected to the same pin No. of the PCBA 5" adaptor.
- (2) OP strap
When this strap is on-state, pin No. 34 of the PCBA 5" adaptor keeps open condition.
- (3) Strap setting at delivery: ST side shorted

3-8. Straps on FD-235 for PCAT connection

When you connect the FDD to IBM PC AT, verify that the following straps are correctly set before operation. Refer to the specification of FD-235 as to the details of strap function.

- (1) FD-235F-100/112
D1 and RY/DC-Left must be shorted.



- (2) FD-235HF-101/117
D1 and OP must be shorted.

