

Quick Installation (German)

Laser Compliance Statement

This drive is a laser product. The drive is certified in the U.S. to conform to the requirements of the Department of Health and Human Services 21 Code of Federal Regulations (DHHS 21 CFR) Subchapter J for Class 1 laser products. Elsewhere, the drive is certified to conform to the requirements of the International Electrotechnical Commission (IEC) 825 and CENELEC EN 60 825 for Class 1 laser products.

Before the drive is installed, note the following.

CAUTION: Use of controls or adjustments or performance of procedures other than those specified herein might result in hazardous radiation exposure.

Opening the drive might result in exposure to hazardous laser radiation. There are no serviceable parts inside the drive. **DO NOT OPEN!**

Some drives contain an embedded Class 3A laser diode. Note the following.



Laser radiation when open. Avoid direct eye exposure. Do not stare into beam or view directly with optical instruments.

Installing the BIOS Upgrade

Attention!

You must install the included BIOS upgrade *before* installing the SuperDisk drive. Use the original floppy drive included with your ThinkPad to install the BIOS, and follow these instructions.

Prior to installing the ThinkPad SuperDisk (LS-120) UltralimBay Drive, you must check the level of the BIOS installed in your ThinkPad, to determine if you need the required System Program Service (BIOS) Diskette which is included with this option. This option will not work unless the proper level of BIOS is installed on your computer. To check the level of System BIOS currently in your ThinkPad, do the following.

1. Turn off your computer, and remove any diskette from the floppy drive.
2. Press and hold the **F1** key, then turn on the computer. Hold the F1 key down until the **Easy-Setup** menu appears. The BIOS date is shown on the Easy-Setup main screen.

If the BIOS date on your computer is more recent than the date on the BIOS diskette included with this option, you **do not** need to install the update to your BIOS. If the date on the System Program Diskette is more recent than the date shown on the Easy-Setup main screen, then you need to install the BIOS upgrade. To do so:

1. Make sure you have an AC adapter and a charged battery pack. If your computer is attached to a docking station or port replicator, turn off your computer and detach it before updating the BIOS.
2. Firmly connect the AC adapter to the computer.
3. Insert the System Program Service Diskette into the original floppy diskette drive and turn on the computer.
4. A simple menu will appear. The first option on this menu will be **Read this first**. Choose that option, read through the instructions, then go back to the menu and choose the second option, **Update system program**.

Attention!

Do not turn off or suspend the computer until the update is complete. **IF YOU TURN OFF OR SUSPEND YOUR COMPUTER WHILE THE UPDATE IS IN PROGRESS, YOU CAN DAMAGE THE SYSTEM BOARD AND IT WILL HAVE TO BE REPLACED.**

Installing the Device Driver for the SuperDisk Drive

If your ThinkPad is running DOS, Windows 95 OSR0 or OSR1, you need a device driver in order to use the SuperDisk drive. Refer to "Locating and Installing Device Drivers" on page 2-3 for more information.

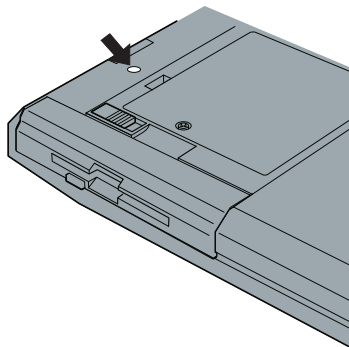
Installing the SuperDisk Drive Into Your Computer

To install the SuperDisk Drive, follow these instructions.

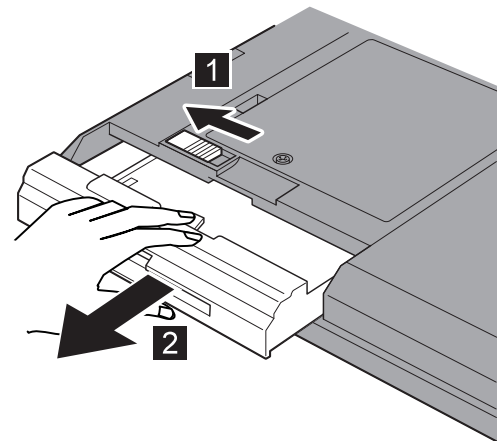
- 1 Turn off your computer, and remove the AC Adapter and cables; then turn the computer upside down.

Attention

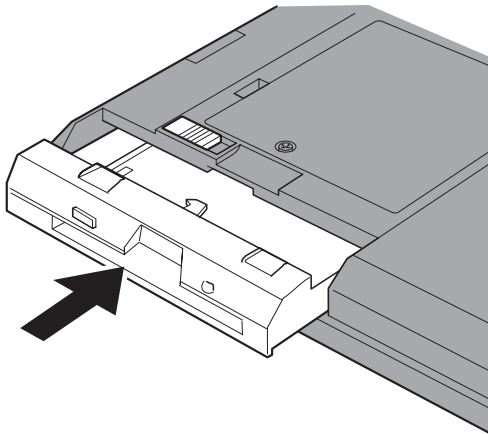
Make sure that the bay LED is off. Never remove an UltralimBay device if the bay LED is on.



- 2 Slide the UltralimBay device lock to the unlock position **1**; then remove the diskette drive **2**.



3 Insert the SuperDisk Drive:



Your SuperDisk Drive is now installed and ready for use.

ATTENTION: The floppy diskette drive can be installed in an external enclosure, so you can use another device in the ThinkPad UltralimBay. **The SuperDisk drive is not compatible with this enclosure. If you try to insert the SuperDisk drive into the enclosure, you might damage the drive or the enclosure.**



Product Registration

Thank you for purchasing OPTIONS by IBM. Please take a few moments to register your product and provide us with information that will help IBM to better serve you in the future. Your feedback is valuable to us in developing products and services that are important to you, as well as in developing better ways to communicate with you. Register your option on the IBM Web site at:

<http://www.pc.ibm.com/register>

IBM will send you information and updates on your registered product unless you indicate on the Web site questionnaire that you do not want to receive further information.

Product Service and Warranty Information

For technical support, support hours, and warranty terms and conditions, see the enclosed inserts, or contact your IBM reseller or IBM marketing representative.

Quick Installation (French)

Laser Compliance Statement

This drive is a laser product. The drive is certified in the U.S. to conform to the requirements of the Department of Health and Human Services 21 Code of Federal Regulations (DHHS 21 CFR) Subchapter J for Class 1 laser products. Elsewhere, the drive is certified to conform to the requirements of the International Electrotechnical Commission (IEC) 825 and CENELEC EN 60 825 for Class 1 laser products.

Before the drive is installed, note the following.

CAUTION: Use of controls or adjustments or performance of procedures other than those specified herein might result in hazardous radiation exposure.

Opening the drive might result in exposure to hazardous laser radiation. There are no serviceable parts inside the drive. **DO NOT OPEN!**

Some drives contain an embedded Class 3A laser diode. Note the following.



Laser radiation when open. Avoid direct eye exposure. Do not stare into beam or view directly with optical instruments.

Installing the BIOS Upgrade

Attention!

You must install the included BIOS upgrade *before* installing the SuperDisk drive. Use the original floppy drive included with your ThinkPad to install the BIOS, and follow these instructions.

Prior to installing the ThinkPad SuperDisk (LS-120) UltralimBay Drive, you must check the level of the BIOS installed in your ThinkPad, to determine if you need the required System Program Service (BIOS) Diskette which is included with this option. This option will not work unless the proper level of BIOS is installed on your computer. To check the level of System BIOS currently in your ThinkPad, do the following.

1. Turn off your computer, and remove any diskette from the floppy drive.
2. Press and hold the **F1** key, then turn on the computer. Hold the F1 key down until the **Easy-Setup** menu appears. The BIOS date is shown on the Easy-Setup main screen.

If the BIOS date on your computer is more recent than the date on the BIOS diskette included with this option, you **do not** need to install the update to your BIOS. If the date on the System Program Diskette is more recent than the date shown on the Easy-Setup main screen, then you need to install the BIOS upgrade. To do so:

1. Make sure you have an AC adapter and a charged battery pack. If your computer is attached to a docking station or port replicator, turn off your computer and detach it before updating the BIOS.
2. Firmly connect the AC adapter to the computer.
3. Insert the System Program Service Diskette into the original floppy diskette drive and turn on the computer.
4. A simple menu will appear. The first option on this menu will be **Read this first**. Choose that option, read through the instructions, then go back to the menu and choose the second option, **Update system program**.

Attention!

Do not turn off or suspend the computer until the update is complete. **IF YOU TURN OFF OR SUSPEND YOUR COMPUTER WHILE THE UPDATE IS IN PROGRESS, YOU CAN DAMAGE THE SYSTEM BOARD AND IT WILL HAVE TO BE REPLACED.**

Installing the Device Driver for the SuperDisk Drive

If your ThinkPad is running DOS, Windows 95 OSR0 or OSR1, you need a device driver in order to use the SuperDisk drive. Refer to "Locating and Installing Device Drivers" on page 2-3 for more information.

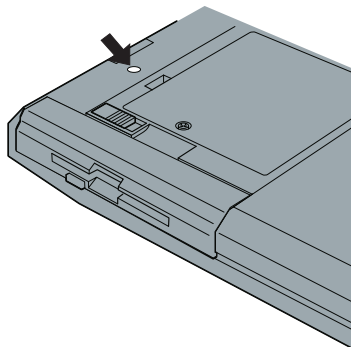
Installing the SuperDisk Drive Into Your Computer

To install the SuperDisk Drive, follow these instructions.

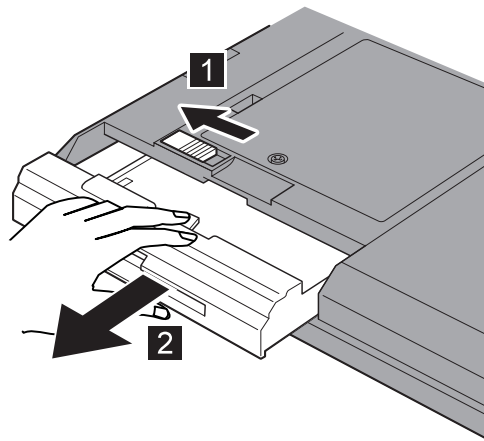
- 1** Turn off your computer, and remove the AC Adapter and cables; then turn the computer upside down.

Attention

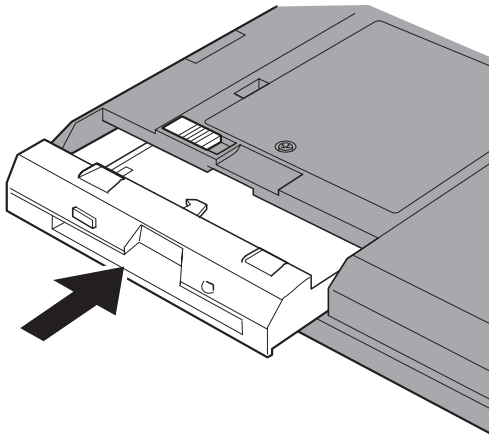
Make sure that the bay LED is off. Never remove an UltralimBay device if the bay LED is on.



- 2** Slide the UltralimBay device lock to the unlock position **1**; then remove the diskette drive **2**.

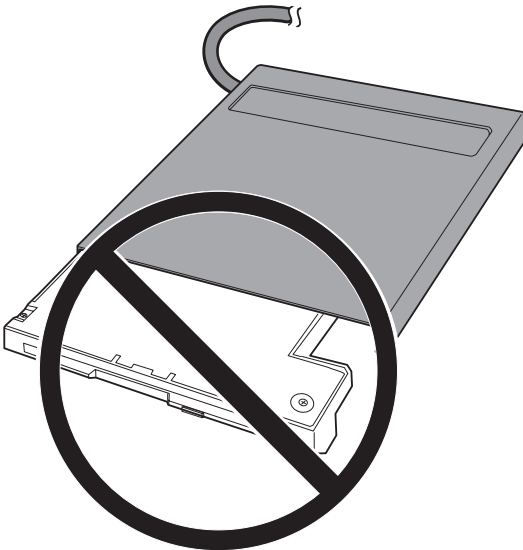


3 Insert the SuperDisk Drive:



Your SuperDisk Drive is now installed and ready for use.

ATTENTION: The floppy diskette drive can be installed in an external enclosure, so you can use another device in the ThinkPad UltraSlimBay. **The SuperDisk drive is not compatible with this enclosure. If you try to insert the SuperDisk drive into the enclosure, you might damage the drive or the enclosure.**



Product Registration

Thank you for purchasing OPTIONS by IBM. Please take a few moments to register your product and provide us with information that will help IBM to better serve you in the future. Your feedback is valuable to us in developing products and services that are important to you, as well as in developing better ways to communicate with you. Register your option on the IBM Web site at:

<http://www.pc.ibm.com/register>

IBM will send you information and updates on your registered product unless you indicate on the Web site questionnaire that you do not want to receive further information.

Product Service and Warranty Information

For technical support, support hours, and warranty terms and conditions, see the enclosed inserts, or contact your IBM reseller or IBM marketing representative.

Quick Installation (Spanish)

Laser Compliance Statement

This drive is a laser product. The drive is certified in the U.S. to conform to the requirements of the Department of Health and Human Services 21 Code of Federal Regulations (DHHS 21 CFR) Subchapter J for Class 1 laser products. Elsewhere, the drive is certified to conform to the requirements of the International Electrotechnical Commission (IEC) 825 and CENELEC EN 60 825 for Class 1 laser products.

Before the drive is installed, note the following.

CAUTION: Use of controls or adjustments or performance of procedures other than those specified herein might result in hazardous radiation exposure.

Opening the drive might result in exposure to hazardous laser radiation. There are no serviceable parts inside the drive. **DO NOT OPEN!**

Some drives contain an embedded Class 3A laser diode. Note the following.



Laser radiation when open. Avoid direct eye exposure. Do not stare into beam or view directly with optical instruments.

Installing the BIOS Upgrade

Attention!

You must install the included BIOS upgrade *before* installing the SuperDisk drive. Use the original floppy drive included with your ThinkPad to install the BIOS, and follow these instructions.

Prior to installing the ThinkPad SuperDisk (LS-120) UltralimBay Drive, you must check the level of the BIOS installed in your ThinkPad, to determine if you need the required System Program Service (BIOS) Diskette which is included with this option. This option will not work unless the proper level of BIOS is installed on your computer. To check the level of System BIOS currently in your ThinkPad, do the following.

1. Turn off your computer, and remove any diskette from the floppy drive.
2. Press and hold the **F1** key, then turn on the computer. Hold the F1 key down until the **Easy-Setup** menu appears. The BIOS date is shown on the Easy-Setup main screen.

If the BIOS date on your computer is more recent than the date on the BIOS diskette included with this option, you **do not** need to install the update to your BIOS. If the date on the System Program Diskette is more recent than the date shown on the Easy-Setup main screen, then you need to install the BIOS upgrade. To do so:

1. Make sure you have an AC adapter and a charged battery pack. If your computer is attached to a docking station or port replicator, turn off your computer and detach it before updating the BIOS.
2. Firmly connect the AC adapter to the computer.
3. Insert the System Program Service Diskette into the original floppy diskette drive and turn on the computer.
4. A simple menu will appear. The first option on this menu will be **Read this first**. Choose that option, read through the instructions, then go back to the menu and choose the second option, **Update system program**.

Attention!

Do not turn off or suspend the computer until the update is complete. **IF YOU TURN OFF OR SUSPEND YOUR COMPUTER WHILE THE UPDATE IS IN PROGRESS, YOU CAN DAMAGE THE SYSTEM BOARD AND IT WILL HAVE TO BE REPLACED.**

Installing the Device Driver for the SuperDisk Drive

If your ThinkPad is running DOS, Windows 95 OSR0 or OSR1, you need a device driver in order to use the SuperDisk drive. Refer to "Locating and Installing Device Drivers" on page 2-3 for more information.

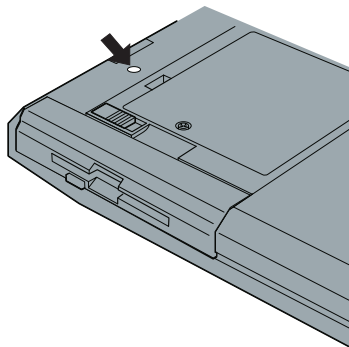
Installing the SuperDisk Drive Into Your Computer

To install the SuperDisk Drive, follow these instructions.

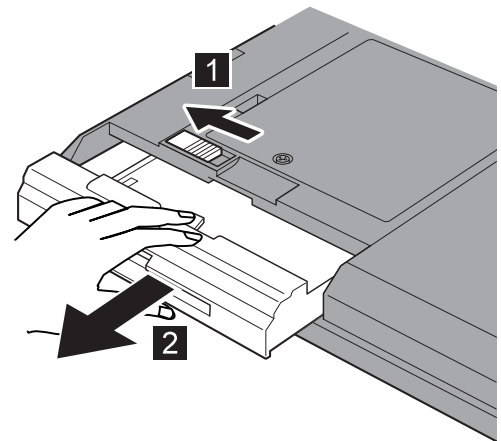
- 1 Turn off your computer, and remove the AC Adapter and cables; then turn the computer upside down.

Attention

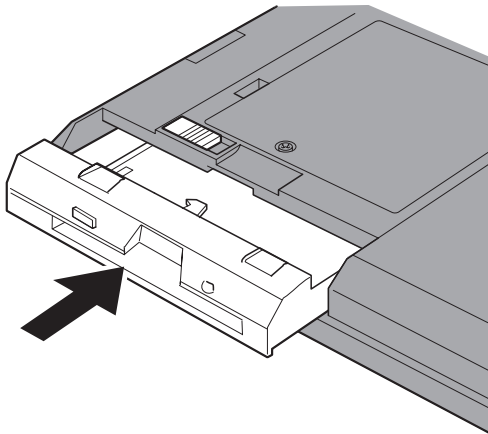
Make sure that the bay LED is off. Never remove an UltralimBay device if the bay LED is on.



- 2 Slide the UltralimBay device lock to the unlock position **1**; then remove the diskette drive **2**.



3 Insert the SuperDisk Drive:



Your SuperDisk Drive is now installed and ready for use.

ATTENTION: The floppy diskette drive can be installed in an external enclosure, so you can use another device in the ThinkPad UltralimBay. **The SuperDisk drive is not compatible with this enclosure. If you try to insert the SuperDisk drive into the enclosure, you might damage the drive or the enclosure.**



Product Registration

Thank you for purchasing OPTIONS by IBM. Please take a few moments to register your product and provide us with information that will help IBM to better serve you in the future. Your feedback is valuable to us in developing products and services that are important to you, as well as in developing better ways to communicate with you. Register your option on the IBM Web site at:

<http://www.pc.ibm.com/register>

IBM will send you information and updates on your registered product unless you indicate on the Web site questionnaire that you do not want to receive further information.

Product Service and Warranty Information

For technical support, support hours, and warranty terms and conditions, see the enclosed inserts, or contact your IBM reseller or IBM marketing representative.

Quick Installation (Italian)

Laser Compliance Statement

This drive is a laser product. The drive is certified in the U.S. to conform to the requirements of the Department of Health and Human Services 21 Code of Federal Regulations (DHHS 21 CFR) Subchapter J for Class 1 laser products. Elsewhere, the drive is certified to conform to the requirements of the International Electrotechnical Commission (IEC) 825 and CENELEC EN 60 825 for Class 1 laser products.

Before the drive is installed, note the following.

CAUTION: Use of controls or adjustments or performance of procedures other than those specified herein might result in hazardous radiation exposure.

Opening the drive might result in exposure to hazardous laser radiation. There are no serviceable parts inside the drive. **DO NOT OPEN!**

Some drives contain an embedded Class 3A laser diode. Note the following.



Laser radiation when open. Avoid direct eye exposure. Do not stare into beam or view directly with optical instruments.

Installing the BIOS Upgrade

Attention!

You must install the included BIOS upgrade *before* installing the SuperDisk drive. Use the original floppy drive included with your ThinkPad to install the BIOS, and follow these instructions.

Prior to installing the ThinkPad SuperDisk (LS-120) UltralimBay Drive, you must check the level of the BIOS installed in your ThinkPad, to determine if you need the required System Program Service (BIOS) Diskette which is included with this option. This option will not work unless the proper level of BIOS is installed on your computer. To check the level of System BIOS currently in your ThinkPad, do the following.

1. Turn off your computer, and remove any diskette from the floppy drive.
2. Press and hold the **F1** key, then turn on the computer. Hold the F1 key down until the **Easy-Setup** menu appears. The BIOS date is shown on the Easy-Setup main screen.

If the BIOS date on your computer is more recent than the date on the BIOS diskette included with this option, you **do not** need to install the update to your BIOS. If the date on the System Program Diskette is more recent than the date shown on the Easy-Setup main screen, then you need to install the BIOS upgrade. To do so:

1. Make sure you have an AC adapter and a charged battery pack. If your computer is attached to a docking station or port replicator, turn off your computer and detach it before updating the BIOS.
2. Firmly connect the AC adapter to the computer.
3. Insert the System Program Service Diskette into the original floppy diskette drive and turn on the computer.
4. A simple menu will appear. The first option on this menu will be **Read this first**. Choose that option, read through the instructions, then go back to the menu and choose the second option, **Update system program**.

Attention!

Do not turn off or suspend the computer until the update is complete. **IF YOU TURN OFF OR SUSPEND YOUR COMPUTER WHILE THE UPDATE IS IN PROGRESS, YOU CAN DAMAGE THE SYSTEM BOARD AND IT WILL HAVE TO BE REPLACED.**

Installing the Device Driver for the SuperDisk Drive

If your ThinkPad is running DOS, Windows 95 OSR0 or OSR1, you need a device driver in order to use the SuperDisk drive. Refer to "Locating and Installing Device Drivers" on page 2-3 for more information.

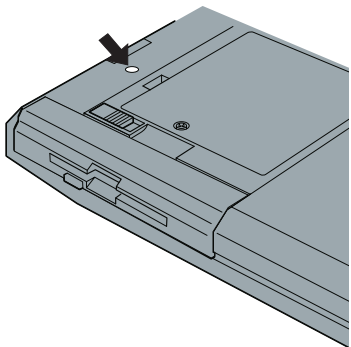
Installing the SuperDisk Drive Into Your Computer

To install the SuperDisk Drive, follow these instructions.

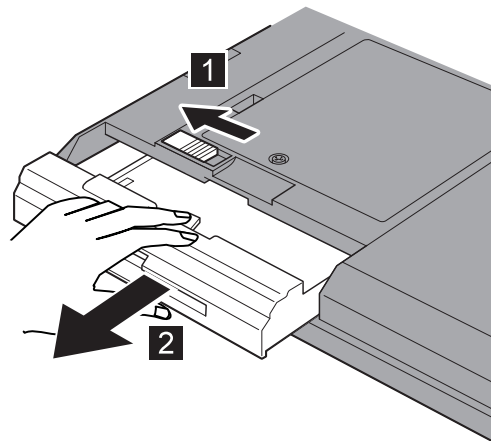
- 1 Turn off your computer, and remove the AC Adapter and cables; then turn the computer upside down.

Attention

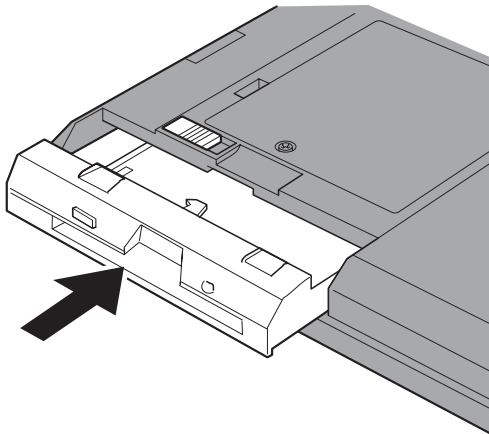
Make sure that the bay LED is off. Never remove an UltralimBay device if the bay LED is on.



- 2 Slide the UltralimBay device lock to the unlock position **1**; then remove the diskette drive **2**.



3 Insert the SuperDisk Drive:



Your SuperDisk Drive is now installed and ready for use.

ATTENTION: The floppy diskette drive can be installed in an external enclosure, so you can use another device in the ThinkPad UltraSlimBay. **The SuperDisk drive is not compatible with this enclosure. If you try to insert the SuperDisk drive into the enclosure, you might damage the drive or the enclosure.**



Product Registration

Thank you for purchasing OPTIONS by IBM. Please take a few moments to register your product and provide us with information that will help IBM to better serve you in the future. Your feedback is valuable to us in developing products and services that are important to you, as well as in developing better ways to communicate with you. Register your option on the IBM Web site at:

<http://www.pc.ibm.com/register>

IBM will send you information and updates on your registered product unless you indicate on the Web site questionnaire that you do not want to receive further information.

Product Service and Warranty Information

For technical support, support hours, and warranty terms and conditions, see the enclosed inserts, or contact your IBM reseller or IBM marketing representative.

Quick Installation (B. Portuguese)

Laser Compliance Statement

This drive is a laser product. The drive is certified in the U.S. to conform to the requirements of the Department of Health and Human Services 21 Code of Federal Regulations (DHHS 21 CFR) Subchapter J for Class 1 laser products. Elsewhere, the drive is certified to conform to the requirements of the International Electrotechnical Commission (IEC) 825 and CENELEC EN 60 825 for Class 1 laser products.

Before the drive is installed, note the following.

CAUTION: Use of controls or adjustments or performance of procedures other than those specified herein might result in hazardous radiation exposure.

Opening the drive might result in exposure to hazardous laser radiation. There are no serviceable parts inside the drive. **DO NOT OPEN!**

Some drives contain an embedded Class 3A laser diode. Note the following.

 **DANGER**

Laser radiation when open. Avoid direct eye exposure. Do not stare into beam or view directly with optical instruments.

Installing the BIOS Upgrade

Attention!

You must install the included BIOS upgrade *before* installing the SuperDisk drive. Use the original floppy drive included with your ThinkPad to install the BIOS, and follow these instructions.

Prior to installing the ThinkPad SuperDisk (LS-120) UltralimBay Drive, you must check the level of the BIOS installed in your ThinkPad, to determine if you need the required System Program Service (BIOS) Diskette which is included with this option. This option will not work unless the proper level of BIOS is installed on your computer. To check the level of System BIOS currently in your ThinkPad, do the following.

1. Turn off your computer, and remove any diskette from the floppy drive.
2. Press and hold the **F1** key, then turn on the computer. Hold the F1 key down until the **Easy-Setup** menu appears. The BIOS date is shown on the Easy-Setup main screen.

If the BIOS date on your computer is more recent than the date on the BIOS diskette included with this option, you **do not** need to install the update to your BIOS. If the date on the System Program Diskette is more recent than the date shown on the Easy-Setup main screen, then you need to install the BIOS upgrade. To do so:

1. Make sure you have an AC adapter and a charged battery pack. If your computer is attached to a docking station or port replicator, turn off your computer and detach it before updating the BIOS.
2. Firmly connect the AC adapter to the computer.
3. Insert the System Program Service Diskette into the original floppy diskette drive and turn on the computer.
4. A simple menu will appear. The first option on this menu will be **Read this first**. Choose that option, read through the instructions, then go back to the menu and choose the second option, **Update system program**.

Attention!

Do not turn off or suspend the computer until the update is complete. **IF YOU TURN OFF OR SUSPEND YOUR COMPUTER WHILE THE UPDATE IS IN PROGRESS, YOU CAN DAMAGE THE SYSTEM BOARD AND IT WILL HAVE TO BE REPLACED.**

Installing the Device Driver for the SuperDisk Drive

If your ThinkPad is running DOS, Windows 95 OSR0 or OSR1, you need a device driver in order to use the SuperDisk drive. Refer to "Locating and Installing Device Drivers" on page 2-3 for more information.

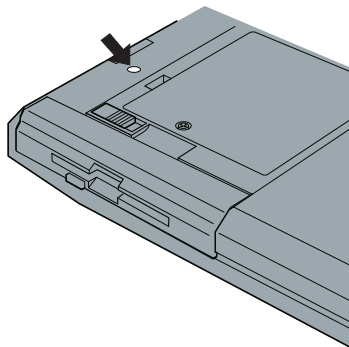
Installing the SuperDisk Drive Into Your Computer

To install the SuperDisk Drive, follow these instructions.

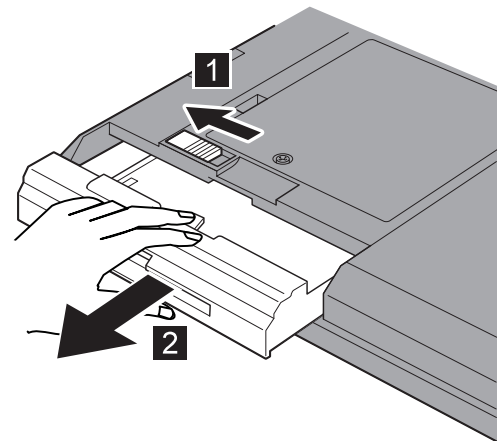
- 1 Turn off your computer, and remove the AC Adapter and cables; then turn the computer upside down.

Attention

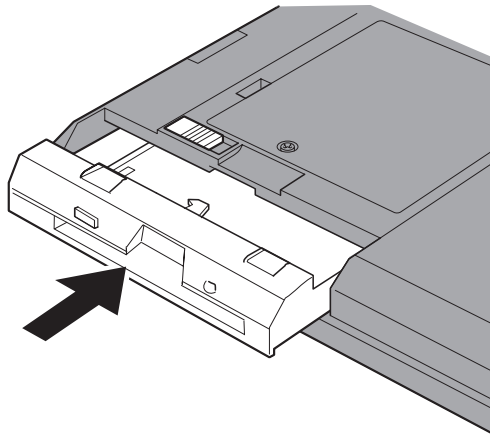
Make sure that the bay LED is off. Never remove an UltralimBay device if the bay LED is on.



- 2 Slide the UltralimBay device lock to the unlock position **1**; then remove the diskette drive **2**.

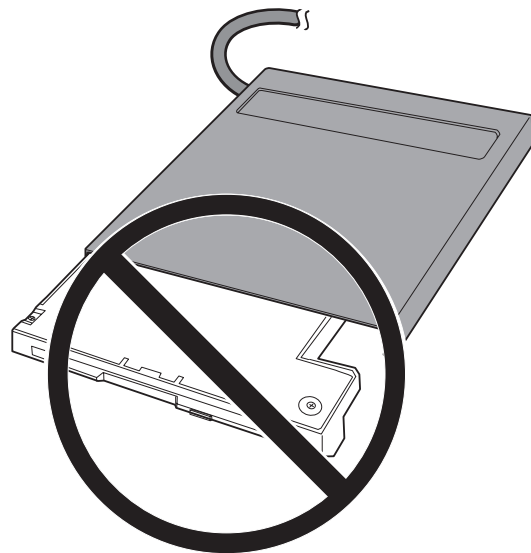


3 Insert the SuperDisk Drive:



Your SuperDisk Drive is now installed and ready for use.

ATTENTION: The floppy diskette drive can be installed in an external enclosure, so you can use another device in the ThinkPad UltralimBay. **The SuperDisk drive is not compatible with this enclosure. If you try to insert the SuperDisk drive into the enclosure, you might damage the drive or the enclosure.**



Product Registration

Thank you for purchasing OPTIONS by IBM. Please take a few moments to register your product and provide us with information that will help IBM to better serve you in the future. Your feedback is valuable to us in developing products and services that are important to you, as well as in developing better ways to communicate with you. Register your option on the IBM Web site at:

<http://www.pc.ibm.com/register>

IBM will send you information and updates on your registered product unless you indicate on the Web site questionnaire that you do not want to receive further information.

Product Service and Warranty Information

For technical support, support hours, and warranty terms and conditions, see the enclosed inserts, or contact your IBM reseller or IBM marketing representative.

Quick Installation (Japanese)

Laser Compliance Statement

This drive is a laser product. The drive is certified in the U.S. to conform to the requirements of the Department of Health and Human Services 21 Code of Federal Regulations (DHHS 21 CFR) Subchapter J for Class 1 laser products. Elsewhere, the drive is certified to conform to the requirements of the International Electrotechnical Commission (IEC) 825 and CENELEC EN 60 825 for Class 1 laser products.

Before the drive is installed, note the following.

CAUTION: Use of controls or adjustments or performance of procedures other than those specified herein might result in hazardous radiation exposure.

Opening the drive might result in exposure to hazardous laser radiation. There are no serviceable parts inside the drive. **DO NOT OPEN!**

Some drives contain an embedded Class 3A laser diode. Note the following.



Laser radiation when open. Avoid direct eye exposure. Do not stare into beam or view directly with optical instruments.

Installing the BIOS Upgrade

Attention!

You must install the included BIOS upgrade *before* installing the SuperDisk drive. Use the original floppy drive included with your ThinkPad to install the BIOS, and follow these instructions.

Prior to installing the ThinkPad SuperDisk (LS-120) UltralimBay Drive, you must check the level of the BIOS installed in your ThinkPad, to determine if you need the required System Program Service (BIOS) Diskette which is included with this option. This option will not work unless the proper level of BIOS is installed on your computer. To check the level of System BIOS currently in your ThinkPad, do the following.

1. Turn off your computer, and remove any diskette from the floppy drive.
2. Press and hold the **F1** key, then turn on the computer. Hold the F1 key down until the **Easy-Setup** menu appears. The BIOS date is shown on the Easy-Setup main screen.

If the BIOS date on your computer is more recent than the date on the BIOS diskette included with this option, you **do not** need to install the update to your BIOS. If the date on the System Program Diskette is more recent than the date shown on the Easy-Setup main screen, then you need to install the BIOS upgrade. To do so:

1. Make sure you have an AC adapter and a charged battery pack. If your computer is attached to a docking station or port replicator, turn off your computer and detach it before updating the BIOS.
2. Firmly connect the AC adapter to the computer.
3. Insert the System Program Service Diskette into the original floppy diskette drive and turn on the computer.
4. A simple menu will appear. The first option on this menu will be **Read this first**. Choose that option, read through the instructions, then go back to the menu and choose the second option, **Update system program**.

Attention!

Do not turn off or suspend the computer until the update is complete. **IF YOU TURN OFF OR SUSPEND YOUR COMPUTER WHILE THE UPDATE IS IN PROGRESS, YOU CAN DAMAGE THE SYSTEM BOARD AND IT WILL HAVE TO BE REPLACED.**

Installing the Device Driver for the SuperDisk Drive

If your ThinkPad is running DOS, Windows 95 OSR0 or OSR1, you need a device driver in order to use the SuperDisk drive. Refer to "Locating and Installing Device Drivers" on page 2-3 for more information.

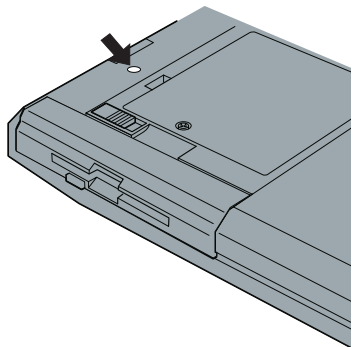
Installing the SuperDisk Drive Into Your Computer

To install the SuperDisk Drive, follow these instructions.

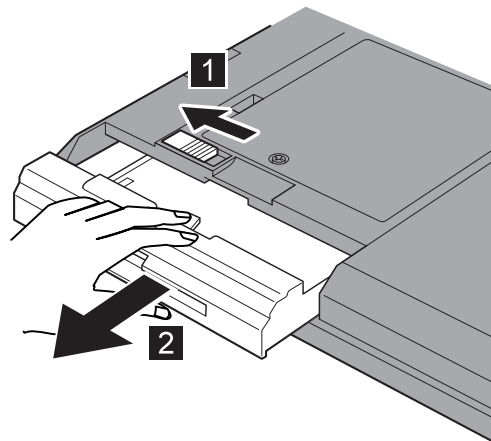
- 1 Turn off your computer, and remove the AC Adapter and cables; then turn the computer upside down.

Attention

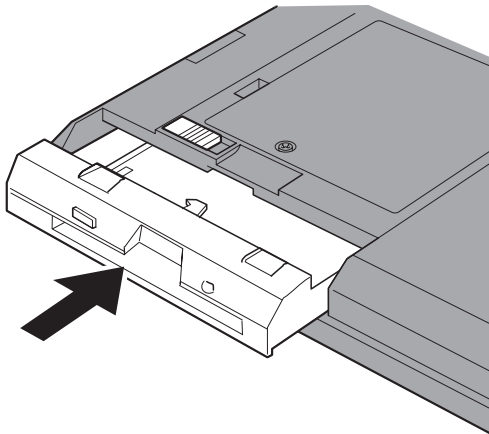
Make sure that the bay LED is off. Never remove an UltralimBay device if the bay LED is on.



- 2 Slide the UltralimBay device lock to the unlock position **1**; then remove the diskette drive **2**.



3 Insert the SuperDisk Drive:



Your SuperDisk Drive is now installed and ready for use.

ATTENTION: The floppy diskette drive can be installed in an external enclosure, so you can use another device in the ThinkPad UltraSlimBay. **The SuperDisk drive is not compatible with this enclosure. If you try to insert the SuperDisk drive into the enclosure, you might damage the drive or the enclosure.**



Product Registration

Thank you for purchasing OPTIONS by IBM. Please take a few moments to register your product and provide us with information that will help IBM to better serve you in the future. Your feedback is valuable to us in developing products and services that are important to you, as well as in developing better ways to communicate with you. Register your option on the IBM Web site at:

<http://www.pc.ibm.com/register>

IBM will send you information and updates on your registered product unless you indicate on the Web site questionnaire that you do not want to receive further information.

Product Service and Warranty Information

For technical support, support hours, and warranty terms and conditions, see the enclosed inserts, or contact your IBM reseller or IBM marketing representative.