



IBM ThinkPad Zip100 UltraslimBay Drive

User's Guide

OPTIONS
by IBM

Note: If you are using this product in the United States, Canada, or Puerto Rico, be sure to read the information under Appendix B, “Warranty and Notices” on page 3-4 before using this information and the product it supports.

For all other countries, the warranty terms and conditions applicable in the country of purchase are available from IBM or your reseller.

First Edition (November 1998)

The following paragraph does not apply to the United Kingdom or any country where such provisions are inconsistent with local law: INTERNATIONAL BUSINESS MACHINES CORPORATION PROVIDES THIS PUBLICATION “AS IS” WITHOUT WARRANTY OF ANY KIND, EITHER EXPRESS OR IMPLIED, INCLUDING, BUT NOT LIMITED TO, THE IMPLIED WARRANTIES OF MERCHANTABILITY OR FITNESS FOR A PARTICULAR PURPOSE. Some states do not allow disclaimer of express or implied warranties in certain transactions, therefore, this statement may not apply to you.

This publication could include technical inaccuracies or typographical errors. Changes are periodically made to the information herein; these changes will be incorporated in new editions of the publication. IBM may make improvements and/or changes in the product(s) and/or the program(s) described in this publication at any time.

This publication was developed for products and services offered in the United States of America. IBM may not offer the products, services, or features discussed in this document in other countries, and the information is subject to change without notice. Consult your local IBM representative for information on the products, services, and features available in your area.

Requests for technical information about IBM products should be made to your IBM reseller or IBM marketing representative.

Copyright International Business Machines Corporation 1998. All rights reserved.

Note to U.S. Government Users — Documentation related to restricted rights — Use, duplication or disclosure is subject to restrictions set forth in GSA ADP Schedule Contract with IBM Corp.

Contents

Registering Your Option iv

About This Book v

Part 1: Installation Guide 1-1

Part 2: User's Guide 2-1

Using the IBM ThinkPad Zip100 UltralimBay Drive 2-1 **Using the Iomega Zip Tools Software** 2-3

Inserting and Removing Zip Disks 2-1 Formatting Zip Disks 2-4

Special Disk Ejection Notes for Windows NT 2-1 Installing Applications on the Zip100 Drive 2-4

Emergency Ejection of the Zip Disk 2-2 Copying Files to a Zip Disk 2-5

Automatic Sleep Mode 2-2 Copying Files Using Copy Machine 2-5

Zip Drive Tips 2-3 Read/Write-Protecting Zip Disks 2-6

Special Information for Windows 95/98 Users 2-6

Part 3: Appendixes 3-1

Appendix A. Help and Service Information 3-1 **Appendix B. Warranty and Notices** 3-4

Step 1: Problem Solving 3-1 Product Warranty 3-4

Step 2: Preparing for the Call 3-3 Notices 3-6

Step 3: Placing the Call to IBM 3-3 Trademarks 3-6

Electronic Emission Notices 3-7

Registering Your Option

Thank you for purchasing OPTIONS by IBM. Please take a few moments to register your product and provide us with information that will help IBM to better serve you in the future. Your feedback is valuable to us in developing products and services that are important to you, as well as in developing better ways to communicate with you. Register your option on the IBM Web site at:

<http://www.pc.ibm.com/register>

IBM will send you information and updates on your registered product unless you indicate on the Web site questionnaire that you do not want to receive further information.

About This Book

This manual contains information on the IBM ThinkPad Zip100 UltralimBay Drive. It is divided into the following parts:

Part 1: Quick Installation instructions, in the following languages:

- English
- German
- French
- Spanish
- Italian
- Brazilian Portuguese
- Japanese

Part 2: Product description, with detailed usage instructions

Part 3: Help and service information, warranty, and notices

You can find information on how to get help, technical support, and warranty service in Appendix A, "Help and Service Information" on page 3-1.

Note: The illustrations in this manual might be slightly different from your hardware.

Part 1: Installation Guide

Product Description

The IBM ThinkPad Zip100 UltraslimBay Drive allows you to save or copy files to a Zip cartridge in the same way you would save or copy files to other storage media, such as floppy diskettes. The Zip disks used with this drive contain 100MB of storage space, making them perfect for storing large graphics or application files. They can also be used effectively to backup important files from your hard drive.

In addition to this manual, this option package contains:

- IBM ThinkPad Zip100 UltraslimBay Drive
- Setup Diskette
- System Program Service (BIOS) Diskette
- ThinkPad UltraBay Hot/Warm Swap Driver CD
- Program License Agreement
- Omega Zip Tools CD

Contact your place of purchase if any item is missing or damaged.

Important: Be sure to retain your proof of purchase because it might be required to receive warranty service.

Before You Begin

To install this drive, you must have the following:

- A ThinkPad computer with UltraslimBay
- The documentation that comes with your ThinkPad

You can find information on how to get help, technical support, and warranty service in Appendix A, "Help and Service Information" on page 3-1.

¹ The formatted capacity of 1 MB is approximately 1 000 000 bytes of data.

Installing the BIOS Update

Attention!

If you need to update your BIOS, you must install the included BIOS update *before* installing the Zip100 drive. Use the original diskette drive included with your ThinkPad to install the BIOS. Read the following section to determine if you need to update your BIOS, and for installation instructions for the BIOS update.

Prior to installing the IBM ThinkPad Zip100 UltralimBay Drive, you must check the level of the BIOS installed in your ThinkPad, to determine if you need the *System Program Service (BIOS) Diskette* which is included with this option. This option will not work unless the proper level of BIOS is installed on your computer. To check the level of BIOS currently in your ThinkPad, follow these steps.

1. Turn off your computer, and remove any diskette from the floppy diskette drive.
2. Press and hold the **F1** key, then turn on the computer. Hold the **F1** key down until the **Easy-Setup** menu appears. The BIOS date is shown on the Easy-Setup main screen.

If the BIOS date on your computer is the same or later than the date on the System Program Service (BIOS) diskette label, you **do not** need to install the update. If the date on the System Program Service (BIOS) diskette label is more recent than the date shown on the Easy-Setup main screen, then you need to install the BIOS update.

Attention!

Do not turn off or suspend the computer until the BIOS update is complete. **IF YOU TURN OFF OR SUSPEND YOUR COMPUTER WHILE THE UPDATE IS IN PROGRESS, THE SYSTEM BOARD MAY HAVE TO BE REPLACED.**

To install the BIOS update:

1. Make sure you have an AC adapter and a charged battery pack. If your computer is attached to a docking station or port replicator, turn off your computer and detach it before updating the BIOS.
2. Firmly connect the AC adapter to the computer.
3. Insert the *System Program Service (BIOS) Diskette* into the floppy diskette drive and turn on the computer.
4. A simple menu will appear. The first option on this menu will be **Read this first**. Choose that option and read through the instructions.
5. Press the **Esc** key to go back to the menu, and choose the second option, **Update system program**.
6. Follow the onscreen instructions.

Installing the Windows 95/98 Hot/Warm Swap Driver

Attention ThinkPad 600E Users

This section is only for those users who have a ThinkPad 600. If you have a ThinkPad 600E, you already have the required device driver, and you can skip this section.

The following table shows the country code that you will need in the installation instructions:

Country	Code	Country	Code
Denmark	DK	Netherlands	NL
Finland	FI	Norway	NO
France	FR	Spain	SP
Germany	GR	Sweden	SW
Italy	IT	United States	US
Japan	JP		

To install the hot/warm swap driver, do the following:

1 Start Windows 98 or Windows 95.

- 2** Insert the Hot/Warm Swap Driver CD-ROM into your CD- or DVD-ROM drive.
- 3** Click on the **Start** button, select **Settings**, then click on **Control Panel**.
- 4** Double-click on **Add New Hardware**.
- 5** When the **Add New Hardware Wizard** opens, click on **Next**. (For Windows 98, click on **Next** again.)
- 6** Select **No** and click on **Next**. (For Windows 98, select **No** again and click on **Next**.)
- 7** Click on **Other devices**, and click on **Next**.
- 8** Click on **Have Disk...**
- 9** Type X:\YY where X is the drive letter of the CD or DVD-ROM drive, and YY is the country code from the table above.
- 10** Click on **OK**.
- 11** Select **UltraBay Hot/Warm Swap Driver**, and click on **Next**.
- 12** Click on **Finish**.
- 13** Restart the computer.

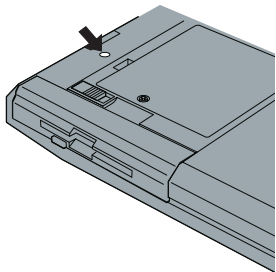
Installing the Zip100 Drive Into Your Computer

To install the Zip100 drive, follow these instructions.

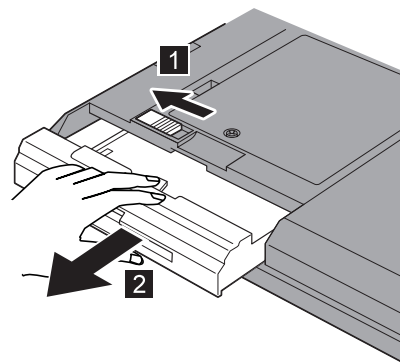
- 1 Turn off your computer, and remove the AC Adapter and cables; then turn the computer upside down.

Attention

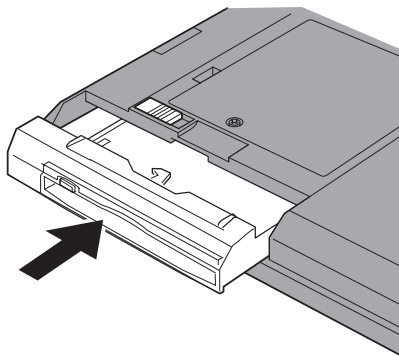
Make sure that the bay LED is off. Never remove an UltralimBay device if the bay LED is on. The arrow in the following illustration shows the location of the bay LED.



- 2 Slide the UltralimBay device lock to the unlock position 1 ; then remove the UltralimBay device 2 .



- 3 Insert the Zip100 drive:



Your Zip100 drive is now installed and ready for use.

Installing the Software

Installation Instructions for Windows NT and Windows for Workgroups

If your ThinkPad is running Windows NT or Windows for Workgroups, you need to install a device driver before using the Zip100 drive. To install the software, follow these instructions.

1. Turn off your ThinkPad and insert the floppy diskette drive into the UltralimBay.
2. Turn on your ThinkPad and start your operating system.
3. Insert the *Setup Diskette* into the floppy diskette drive.
4. Follow the instructions below for your operating system.

For Windows NT:

Click on the **Start** button, move up to **Run**, type

```
a:\setup
```

in the command box, then press **Enter**.

For Windows for Workgroups:

Double Click on **Program Manager**, and select the **Run** command; type

```
a:\setup
```

in the command box, then press **Enter**.

5. Follow the onscreen instructions. When installation is complete, remove the diskette from the diskette drive and shut down your system.
6. Remove the diskette drive from the UltralimBay and insert your CD- or DVD-ROM drive.
7. Turn on your ThinkPad and start your operating system.
8. Insert the *Iomega Zip Tools* CD-ROM into the CD- or DVD-ROM drive.
9. Select your language preference, and follow the onscreen instructions.

Attention!

If you receive an error message stating “No Iomega drives found”, press **OK** to continue. The installation process will continue correctly.

Installation Instructions for Windows 95/98

If you are using Windows 95 or Windows 98, you do not need to install a separate device driver for the Zip100 drive. To install the Zip100 drive software, follow these instructions.

1. Turn off your ThinkPad and insert your CD- or DVD-ROM drive into the UltralimBay.
2. Turn on the ThinkPad and start your operating system.
3. Insert the *Iomega Zip Tools* CD-ROM into the CD- or DVD-ROM drive.
4. The installation program may start automatically. If it does not, click on the **Start** button, move up to **Run**, and type in
`x:\install`

where *x* is the drive letter assigned to your CD- or DVD-ROM drive.

5. Click on the icon for your preferred language.
6. Click on **Install Iomega software** and follow the on-screen instructions.

Using the IBM ThinkPad Zip100 UltraslimBay Drive

This section provides information on using the Zip100 drive, including how to handle Zip disks and tips on how to get the most from your drive.

Inserting and Removing Zip Disks

To insert a Zip disk, hold the Zip disk label side up, and gently insert it into the drive. The end of the disk will not protrude from the opening when it is fully inserted.

Note: The LED flashes momentarily during insertion of a Zip disk. If the LED continues to blink slowly, eject the disk and reinsert it.

To remove a Zip disk, press the Disk Eject Button and remove the disk when it is partially ejected from the opening of the drive.

Note: The LED flashes momentarily during removal. If you have a Zip disk in the drive when you shut down your ThinkPad, your computer will automatically eject the disk from the drive. **Be sure to store the Zip disk in its protective case once you remove it from the drive.**

Attention!

When using the Disk Eject Button, push gently. **Do not use force.** The LED blinks as the Zip drive is shutting down. The drive takes a few seconds to eject the Zip disk. **Never force a Zip disk into or out of a Zip drive.**

Special Disk Ejection Notes for Windows NT

If a Zip disk does not eject from the Zip drive, close any windows listing the contents of the Zip disk. If the Zip disk still does not eject immediately, it may be due to the way Windows NT handles disk caching. This will cause a delay, but after a few seconds Windows NT will allow the Zip disk to eject normally.

NTFS Formatted Zip Disks

The NTFS format is a fixed-disk file system, which locks the Zip disk when it is mounted under Windows NT. This means that once you access an NTFS formatted Zip disk, the disk will no longer eject using the eject button on the front of the drive. To eject the Zip disk, you must first close any windows listing the Zip disk contents, and then use the **Disk Eject** command in the Iomega Zip Tools software.

Emergency Ejection of the Zip Disk

The ThinkPad must be turned on in order to remove a Zip disk using the Disk Eject Button. If you lose power to your computer, and must remove a disk from the drive, follow these instructions.

1. Find the Emergency Eject Hole, which is located in the Disk Eject Button.
2. Fully straighten a paperclip, then gently push the straightened clip into the Emergency Eject Hole.

Attention!

Use extreme caution when employing the Emergency Eject Hole. **Excessive force or a bent paper clip may damage the Zip drive.**

Only use the emergency eject procedure when your computer loses power. Do not try to forcibly remove a Zip disk from the drive. If the drive does not eject the disk immediately, repeat the emergency eject procedure.

Automatic Sleep Mode

The IBM ThinkPad Zip100 UltraslimBay Drive has an automatic sleep mode designed to reduce power consumption and prolong the life of the ThinkPad battery. Sleep mode automatically turns off the Zip drive after a set period of inactivity (for example, three minutes). The drive starts again when it is accessed.

To change the sleep mode timer settings, follow these steps.

1. Double-click on **My Computer**.
2. Right-click on the Zip drive icon.
3. Select **Properties** from the popup menu.
4. Click on the **Startup** tab to set the sleep timer.

Zip Drive Tips

This section offers valuable tips to make sure you get the most from your IBM ThinkPad Zip100 UltralimBay Drive. Following these tips will help your drive run without problems.

Never force a Zip disk into or out of the drive.

Return the disk to its protective case after use.

Avoid exposing Zip disks or the Zip100 drive to direct sunlight, high temperatures, moisture, and magnetic fields.

Attention!

NEVER use ordinary 3.5 inch head cleaning diskettes, or 3.5 inch data diskettes in the IBM ThinkPad Zip100 UltralimBay Drive. **Doing so will damage the drive.**

If any of the tips listed here are unclear, or if you have additional questions about the use and care of the IBM ThinkPad Zip100 UltralimBay Drive, please refer to Appendix A, "Help and Service Information" on page 3-1.

Using the Iomega Zip Tools Software

Iomega Zip Tools is a package of software tools and applications which can help you utilize all features of your Zip100 drive. With this software you can format, copy, and protect your Zip disks, as well as back up your hard drive, organize your files, and more.

Attention!

The 100MB *Iomega Zip Tools* disk included with this option contains files needed for installing and using the Iomega Tools software. If any of the files are deleted from the disk, you will see error messages from the Iomega Installer.

To open Iomega Tools:

For Windows 95/98 and Windows NT

If there is a shortcut icon for Zip Tools on your desktop, double-click on the icon. Otherwise, click on the **Start** button, select **Programs**, then **Iomega Tools**.

For Windows 3.1 or Windows for Workgroups

Open the **Iomega Tools** group, and double click on the **Iomega Tools** icon.

Formatting Zip Disks

Attention Windows 3.x Users

Do not use the **Format** utility available in the Windows 3.1 **File Manager** to format your Zip disks. Open the Zip Tools program and check the Help files to find out how to format your Zip disks using Zip Tools.

You must use the format utility in Zip Tools to format a Zip disk.

To format a Zip disk:

1. Insert a Zip disk into the Zip100 drive.
2. In Windows 95/98 or Windows NT, go to **My Computer**, and right-click on the Zip drive icon.
3. From the menu, select **Format**.
4. Follow the onscreen instructions.

Installing Applications on the Zip100 Drive

Attention!

IBM does not support any software for your Zip drive that was not included in your option package.

Certain applications and games will only allow installation on a fixed, or nonremovable, media drive. To install this kind of software onto your Zip100 drive:

1.

For Windows 95/98: Right click on the Zip drive icon, and select **Make Nonremovable**. This will make the Zip drive appear as a hard drive, allowing you to install your software.

For Windows 3.1 or Windows for Workgroups: Open the Zip Tools software and consult the Help file for directions on making the Zip drive appear as a nonremovable drive.

2. After the software you want to install has completed the installation onto your Zip drive, right-click on the Zip drive icon again, and select **Make Removable** to restore disk removability.

Attention!

Some third party software install programs require a disk present in every drive in order to run properly. If a disk is not inserted in your Zip drive, you may see a **System Error** screen displaying the drive letter assigned to your Zip drive. Insert a Zip disk into the drive and press **Enter** to continue the installation.

Copying Files to a Zip Disk

To transfer files from your computer to a Zip disk:

1. Insert a Zip disk into the Zip100 drive. The LED will flash momentarily.
2. In Windows 95/98 or Windows NT, go to **My Computer** and click on the Zip drive icon. In Windows 3.1 or Windows for Workgroups, open **File Manager**, and click on the drive letter assigned to the Zip drive.
3. Use the file transfer procedure for your operating system to copy files from your computer to the Zip disk.

Attention!

Do not use the Windows CopyDisk utility, the DOS DiskCopy utility, or Microsoft Backup to copy files to a Zip disk. These utilities work only with diskette drives.

Instead of using any of these utilities, use the **Copy Machine** utility in Zip Tools, which is described in the next section.

Copying Files Using Copy Machine

You may want to copy files from a Zip disk onto your hard drive, or onto other removable media such as floppy diskettes.

To copy files from a Zip disk:

1. In Windows 95/98 or Windows NT, click on the **Start** button, go to **Programs**, select the **Iomega Zip Tools** group, then select **Copy Machine**. In Windows 3.1 or Windows for Workgroups, open the **Zip Tools** folder, and double-click on the **Copy Machine** icon.
2. Insert the Zip disk you are copying files from into the Zip drive.
3. Follow the onscreen instructions.

Attention Windows 3.x Users

When using the **Copy Machine** utility in Windows 3.1 or Windows for Workgroups, turn off 32-bit disk and/or file access.

This option is available without changing the virtual memory options, under **386 Enhanced** in the Windows **Control Panel**. If 32-bit access is not turned off, your hard drive will not appear for selection under the **Copy Machine** drive list.

Read/Write-Protecting Zip Disks

The Iomega Tools software includes a read/write protection feature that allows you to:

Use a software-based write-protection on a Zip disk instead of an external write-protect switch.

Write-protect a Zip disk and also assign a password that must be given in order to remove write-protection.

Read- and write-protect a Zip disk along with an assigned password, so that the disk cannot be read from or written to unless the correct password is given by the user.

Attention

When a read/write-protected disk is inserted into the Zip100 drive, you will receive a message saying that the Zip drive is not accessible and that the device is not ready.

To access the Zip disk, click on the Zip drive icon on your desktop with the right mouse button. Then select **Protect** from the menu. This will either unprotect the disk or allow you to enter the password needed to change the status of the disk.

Special Information for Windows 95/98 Users

Windows DOS Mode

Note: This section describes how to use MSDOS mode, which is a startup option for Windows 95/98. It does not apply to the MSDOS window that opens when you double-click the MSDOS Prompt icon within Windows 95/98. Use of the MSDOS window with the Zip drive is fully supported. Operation of the Zip drive under Windows 95/98 MSDOS Mode is **not** fully supported at this time. Until full support is available, you must shut down and restart your computer completely when switching to or from DOS in order for your Zip drive to operate correctly. **Do not use the option from the Windows 95/98 Shut Down menu that reads “Restart the computer in MS-DOS mode.”**

To switch to DOS mode:

1. Shut down and restart your computer.
2. Press **F8** in Windows 95, or **Ctrl** in Windows 98, as soon as the text “Starting Windows” appears on the screen. This message appears just before the full-color Windows logo screen loads.
3. When the menu appears, select **Command Prompt Only**.
4. After the system starts in DOS mode, run **GUEST.EXE** from the **Tools_95** folder on drive C.

This procedure provides access to any Iomega drives connected to your computer. To return to Windows 95/98, restart your computer. **DO NOT type the command WIN at the DOS prompt after running GUEST.EXE. This will cause drive letter duplication.**

Appendix A. Help and Service Information

If you have questions about your new Options by IBM product, or require technical assistance, visit the IBM Personal Computing Web site at <http://www.pc.ibm.com> for information about IBM, Options by IBM, or IBM Service and Support. Additionally, you can receive information from the IBM Automated Fax system at 1-800-426-3395 (in Canada, 1-800-465-3299), or from the Personal Systems Group Bulletin Board System (PSG BBS) at 1-919-517-0001. You can also get help and information through the IBM PC HelpCenter, 24 hours a day, seven days a week. Response time may vary depending on the number and nature of the calls received.

Marketing, installation, and configuration support through the HelpCenter will be withdrawn or made available for a fee, at IBM's discretion, 90 days after the option has been withdrawn from marketing. Additional support offerings, including step-by-step installation assistance, are available for a nominal fee.

During the warranty period, assistance for replacement or exchange of defective components is available. In addition, if your IBM option is installed in an IBM computer, you might be entitled to service at your location. Your technical support representative can help you determine the best alternative.

Step 1: Problem Solving

You may be able to solve the problem yourself. Before calling the Help Center, please consult this list and try the suggestions given to see if the problem can be quickly resolved.

The green LED on the drive does not light, or you cannot insert a Zip disk into the drive.

Make sure that the drive is correctly installed in the UltraslimBay:

1. Shut down your ThinkPad.
2. Remove and reinsert your Zip drive.
3. Restart your ThinkPad.

The computer does not restart correctly after the Zip drive is installed.

Try the following steps:

1. Remove the Zip drive from the UltraslimBay.
2. Restart your computer.
3. If the computer starts properly with the Zip drive removed, reinstall the Zip drive and software using the installation instructions provided earlier in this manual.

The Iomega software cannot find the Zip drive or the drive is not assigned a drive letter.

Try the following:

1. To make sure the drive is properly inserted into the UltralimBay, shut down your ThinkPad and remove the drive, then reinsert it.
2. If you are using Windows NT, make sure that Service Pack 3 or higher is installed.
3. Reinstall the driver software using the installation instructions provided earlier in this manual.

The LED continues to blink slowly.

Eject the Zip disk and check for any damage. If the problem continues, try a different Zip disk.

The LED stays on continuously.

Eject the disk, if one is inserted. Shut down your ThinkPad. Remove and reinsert your Zip drive. Restart your ThinkPad.

After inserting a Zip disk, the following message appears: “x:\ is not accessible, the device is not ready”, where x is the drive letter assigned to the Zip drive.

This message will appear:

- When no disk is inserted.
- When a read/write protected disk is inserted.
- When a bad disk is inserted.

The Zip disk will not eject.

Using the Iomega Tools application, make sure that the disk is not set to nonremovable.

The system cannot be suspended, or auto suspend does not work.

Follow these steps to make sure that auto-insertion notification is turned off.

1. Click on the **Start** button, select **Settings**, then **Control Panel**.
2. Double click on the **System** icon.
3. Select **Device Manager**.
4. Double click on **Disk Drives**.
5. Double click on **Iomega Zip 100**.
6. Select **Settings**.
7. Make sure that the auto-insert notification is not selected.

Windows NT fails to detect the drive after installation.

If this happens you need to enable a second IDE controller. To do so:

1. Click on the ThinkPad icon in your System Tray, located at the right of your taskbar. This opens ThinkPad Configuration.
2. Find the icon for Second IDE Controller and click on the box to enable it.

Selecting the option Make Nonremovable in Windows NT does not change the disk icon.

This is a known issue and will be addressed in a future release of the Iomega Tools software.

You can also find useful hints and tips related to installation of this option, as well as BIOS or device-driver updates required for your computer, at the PC Support web site, on the World Wide Web at www3.pc.ibm.com/support.

Step 2: Preparing for the Call

To assist the technical support representative, have available as much of the following information as possible:

1. Option name
2. Option number
3. Proof of purchase
4. Computer manufacturer, model, serial number (if IBM), and manual
5. Exact wording of the error message (if any)
6. Description of the problem
7. Hardware and software configuration information for your system

If possible, be at your computer. Your technical support representative might want to walk you through the problem during the call.

Step 3: Placing the Call to IBM

If you call 90 days or more after the date of withdrawal or after your warranty has expired, you might be charged a fee.

For the support telephone number and support hours by country, refer to the following table or to the enclosed technical support insert. If the number is not provided, contact your IBM reseller or IBM marketing representative.

<i>Support 24 hours a day, 7 days a week</i>	
Canada	1-800-565-3344
U.S.A. / Puerto Rico	1-800-772-2227

Additional Technical Support Resources

Online technical support is available during the life of your product. Online assistance can be obtained through the IBM Automated Fax System, the Personal Computing Web page, and the PSG Electronic Bulletin Board System.

<i>Online Technical Support</i>	
IBM Personal Computing Web Page	www.pc.ibm.com
IBM PSG BBS	1-919-517-0001
IBM Automated Fax System	1-800-426-3395 1-800-465-3299 (in Canada)

Appendix B. Warranty and Notices

Product Warranty

The following warranty information applies to products purchased in the United States, Canada, and Puerto Rico. For warranty terms and conditions for products purchased in other countries, see the enclosed Warranty insert, or contact your IBM reseller or IBM marketing representative.

International Business Machines Corporation

Armonk, New York, 10504

Statement of Limited Warranty

The warranties provided by IBM in this Statement of Limited Warranty apply only to Machines you originally purchase for your use, and not for resale, from IBM or your reseller. The term "Machine" means an IBM machine, its features, conversions, upgrades, elements, or accessories, or any combination of them. Unless IBM specifies otherwise, the following warranties apply only in the country where you acquire the Machine. If you have any questions, contact IBM or your reseller.

Machine: IBM ThinkPad Zip100 UltraslimBay Drive

Warranty Period*: One Year

**Contact your place of purchase for warranty service information.*

Production Status

Each Machine is manufactured from new parts, or new and used parts. In some cases, the Machine may not be new and may have been previously

installed. Regardless of the Machine's production status, IBM's warranty terms apply.

The IBM Warranty for Machines

IBM warrants that each Machine 1) is free from defects in materials and workmanship and 2) conforms to IBM's Official Published Specifications. The warranty period for a Machine is a specified, fixed period commencing on its Date of Installation. The date on your receipt is the Date of Installation, unless IBM or your reseller informs you otherwise.

During the warranty period IBM or your reseller, if authorized by IBM, will provide warranty service under the type of service designated for the Machine and will manage and install engineering changes that apply to the Machine.

For IBM or your reseller to provide warranty service for a feature, conversion, or upgrade, IBM or your reseller may require that the Machine on which it is installed be 1) for certain Machines, the designated, serial-numbered Machine and 2) at an engineering-change level compatible with the feature, conversion, or upgrade. Many of these transactions involve the removal of parts and their return to IBM. You represent that all removed parts are genuine and unaltered. A part that replaces a removed part will assume the warranty service status of the replaced part.

If a Machine does not function as warranted during the warranty period, IBM or your reseller will repair it or replace it with one that is at least functionally equivalent, without charge. The replacement may not be new, but will be in good working order. If IBM or your reseller is unable to repair or replace the Machine, you may return it to your place of purchase and your money will be refunded.

If you transfer a Machine to another user, warranty service is available to that user for the remainder of the warranty period. You should give your proof of purchase and this Statement to that user. However, for Machines which have a life-time warranty, this warranty is not transferable.

Warranty Service

To obtain warranty service for the Machine, you should contact your reseller or call IBM. In the United States, call IBM at **1-800-772-2227**. In Canada, call IBM at **1-800-565-3344**. You may be required to present proof of purchase.

IBM or your reseller will provide certain types of repair and exchange service, either at your location or at IBM's or your reseller's service center, to restore a Machine to good working order.

When a type of service involves the exchange of a Machine or part, the item IBM or your reseller replaces becomes its property and the replacement becomes yours. You represent that all removed items are genuine and unaltered. The replacement may not be new, but will be in good working order and at least functionally equivalent to the item replaced. The replacement assumes the warranty service status of the replaced item. Before IBM or your reseller exchanges a Machine or part, you agree to remove all features, parts, options, alterations, and attachments not under warranty service. You also agree to ensure that the Machine is free of any legal obligations or restrictions that prevent its exchange.

You agree to:

1. obtain authorization from the owner to have IBM or your reseller service a Machine that you do not own; and
2. where applicable, before service is provided —
 - a. follow the problem determination, problem analysis, and service request procedures that IBM or your reseller provide,
 - b. secure all programs, data, and funds contained in a Machine, and
 - c. inform IBM or your reseller of changes in a Machine's location.

IBM is responsible for loss of, or damage to, your Machine while it is 1) in IBM's possession or 2) in transit in those cases where IBM is responsible for the transportation charges.

Extent of Warranty

IBM does not warrant uninterrupted or error-free operation of a Machine.

The warranties may be voided by misuse, accident, modification, unsuitable physical or operating environment, improper maintenance by you, removal or alteration of Machine or parts identification labels, or failure caused by a product for which IBM is not responsible.

THESE WARRANTIES REPLACE ALL OTHER WARRANTIES OR CONDITIONS, EXPRESS OR IMPLIED, INCLUDING, BUT NOT LIMITED TO, THE IMPLIED WARRANTIES OR CONDITIONS OF MERCHANTABILITY AND FITNESS FOR A PARTICULAR PURPOSE. THESE WARRANTIES GIVE YOU SPECIFIC LEGAL RIGHTS AND YOU MAY ALSO HAVE OTHER RIGHTS WHICH VARY FROM JURISDICTION TO JURISDICTION. SOME JURISDICTIONS DO NOT ALLOW THE EXCLUSION OR LIMITATION OF EXPRESS OR IMPLIED WARRANTIES, SO THE ABOVE EXCLUSION OR LIMITATION MAY NOT APPLY TO YOU. IN THAT EVENT SUCH WARRANTIES ARE LIMITED IN DURATION TO THE WARRANTY PERIOD. NO WARRANTIES APPLY AFTER THAT PERIOD.

Limitation of Liability

Circumstances may arise where, because of a default on IBM's part or other liability you are entitled to recover damages from IBM. In each such instance, regardless of the basis on which you are entitled to claim damages from IBM (including fundamental breach, negligence, misrepresentation, or other contract or tort claim), IBM is liable only for:

1. damages for bodily injury (including death) and damage to real property and tangible personal property; and
2. the amount of any other actual direct damages or loss, up to the greater of U.S. \$100,000 or the charges (if recurring, 12 months' charges apply) for the Machine that is the subject of the claim.

Electronic Emission Notices

IBM ThinkPad Zip100 UltralimBay Drive

Federal Communications Commission (FCC) Statement

Note: This equipment has been tested and found to comply with the limits for a Class B digital device, pursuant to Part 15 of the FCC Rules. These limits are designed to provide reasonable protection against harmful interference in a residential installation. This equipment generates, uses, and can radiate radio frequency energy and, if not installed and used in accordance with the instructions, may cause harmful interference to radio communications. However, there is no guarantee that interference will not occur in a particular installation. If this equipment does cause harmful interference to radio or television reception, which can be determined by turning the equipment off and on, the user is encouraged to try to correct the interference by one or more of the following measures:

- Reorient or relocate the receiving antenna.
- Increase the separation between the equipment and receiver.
- Connect the equipment into an outlet on a circuit different from that to which the receiver is connected.
- Consult an IBM authorized dealer or service representative for help.

Properly shielded and grounded cables and connectors must be used in order to meet FCC emission limits. Proper cables and connectors are available from IBM authorized dealers. IBM is not responsible for any radio or television interference caused by using other than recommended cables and connectors or by unauthorized changes or modifications to this equipment. Unauthorized changes or modifications could void the user's authority to operate the equipment.

This device complies with Part 15 of the FCC Rules. Operation is subject to the following two conditions: (1) this device may not cause harmful interference, and (2) this device must accept any interference received, including interference that may cause undesired operation.

Responsible Party:

International Business Machines Corporation
New Orchard Road
Armonk, NY 10504
Telephone: 1-919-543-2193

Industry Canada Class B Emission Compliance Statement

This Class B digital apparatus complies with Canadian ICES-003.

Avis de conformité à la réglementation d'Industrie Canada

Cet appareil numérique de la classe B est conforme à la norme NMB-003 du Canada.

Deutsche EMV-Direktive (electromagnetische Verträglichkeit)

Dieses Gerät ist berechtigt in Übereinstimmung mit dem deutschen EMVG vom 9.Nov.92 das EG-Konformitätszeichen zu führen.

Der Aussteller der Konformitätserklärung ist die IBM UK, Greenock.

Dieses Gerät erfüllt die Bedingungen der EN 55022 Klasse B.

European Union - Emission Directive

This product is in conformity with the protection requirements of EU Council Directive 89/366/ECC on the approximation of the laws of the Member States relating to electromagnetic compatibility.

IBM can not accept responsibility for any failure to satisfy the protection requirements resulting from a non-recommended modification of the product, including the fitting of non-IBM option cards.

This product has been tested and found to comply with the limits for Class B Information Technology Equipment according to CISPR 22 / European Standard EN 55022. The limits for Class B equipment were derived for typical residential environments to provide reasonable protection against interference with licensed communication devices.

Union Européenne - Directive Conformité électromagnétique

Ce produit est conforme aux exigences de protection de la Directive 89/336/EEC du Conseil de l'UE sur le rapprochement des lois des États membres en matière de compatibilité électromagnétique.

IBM ne peut accepter aucune responsabilité pour le manquement aux exigences de protection résultant d'une modification non recommandée du produit, y compris l'installation de cartes autres que les cartes IBM.

Ce produit a été testé et il satisfait les conditions de l'équipement informatique de Classe B en vertu de CISPR22 / Standard européen EN 55022. Les conditions pour l'équipement de Classe B ont été définies en fonction d'un contexte résidentiel ordinaire afin de fournir une protection raisonnable contre l'interférence d'appareils de communication autorisés.

Unione Europea - Direttiva EMC (Conformidad electromagnética)

Este producto satisface los requisitos de protección del Consejo de la UE, Directiva 89/336/CEE en lo que a la legislación de los Estados Miembros sobre compatibilidad electromagnética se refiere.

IBM no puede aceptar responsabilidad alguna si este producto deja de satisfacer dichos requisitos de protección como resultado de una modificación no recomendada del producto, incluyendo el ajuste de tarjetas de opción que no sean IBM.

Este producto ha sido probado y satisface los límites para Equipos Informáticos Clase B de conformidad con el Estándar CISPR22 y el Estándar Europeo EN 55022. Los límites para los equipos de Clase B se han establecido para entornos residenciales típicos a fin de proporcionar una protección razonable contra las interferencias con dispositivos de comunicación licenciados.

Union Europea - Normativa EMC

Questo prodotto è conforme alle normative di protezione ai sensi della Direttiva del Consiglio dell'Unione Europea 89/336/CEE sull'armonizzazione legislativa degli stati membri in materia di compatibilità elettromagnetica.

IBM non accetta responsabilità alcuna per la mancata conformità alle normative di protezione dovuta a modifiche non consigliate al prodotto, compresa l'installazione di schede e componenti di marca diversa da IBM.

Le prove effettuate sul presente prodotto hanno accertato che esso rientra nei limiti stabiliti per le apparecchiature di informatica Classe B ai sensi del CISPR 22 / Norma Europea EN 55022. I limiti delle apparecchiature della Classe B sono stati stabiliti al fine di fornire ragionevole protezione da interferenze mediante dispositivi di comunicazione in concessione in ambienti residenziali tipici.

この装置は、情報処理装置等電波障害自主規制協議会（VCCI）の基準に基づくクラスB情報技術装置です。この装置は、家庭環境で使用することを目的としていますが、この装置がラジオやテレビジョン受信機に近接して使用されると、受信障害を引き起こすことがあります。
取扱説明書に従って正しい取り扱いをして下さい。

IBM

Part Number: 37L1342

Printed in U.S.A.

37L1342

