

Notebook Schematic Diagrams **A**

A.1 Introduction

This section contains schematic diagrams for the Extensa 900 Series Notebook Computer. Logic schematics for the Mobile Productivity Base are provided in Appendix B of this manual.

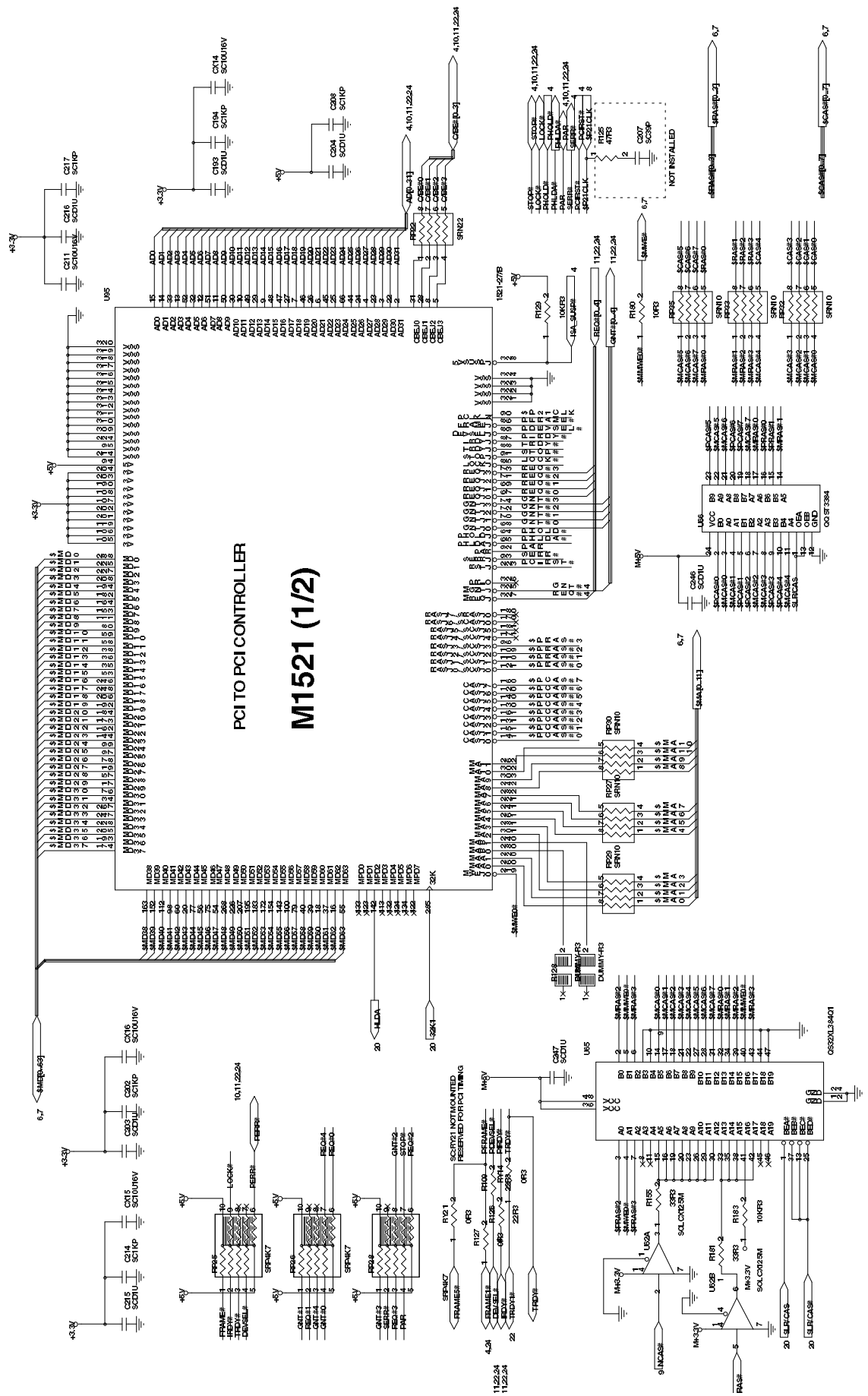


Figure A-1 Notebook Main Board Logic Diagrams (Sheet 2 of 30)

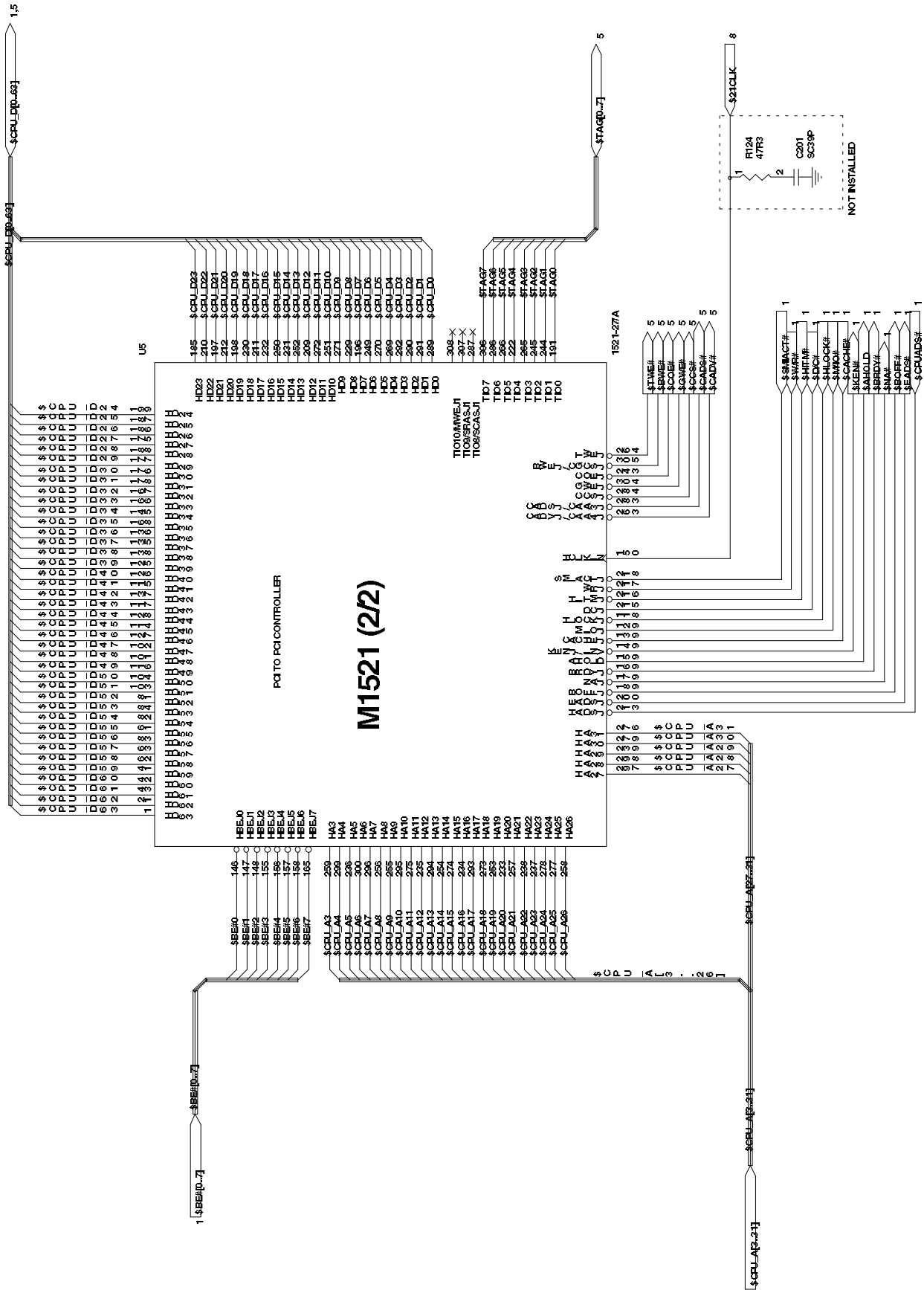


Figure A-1 Notebook Main Board Logic Diagrams (Sheet 3 of 30)

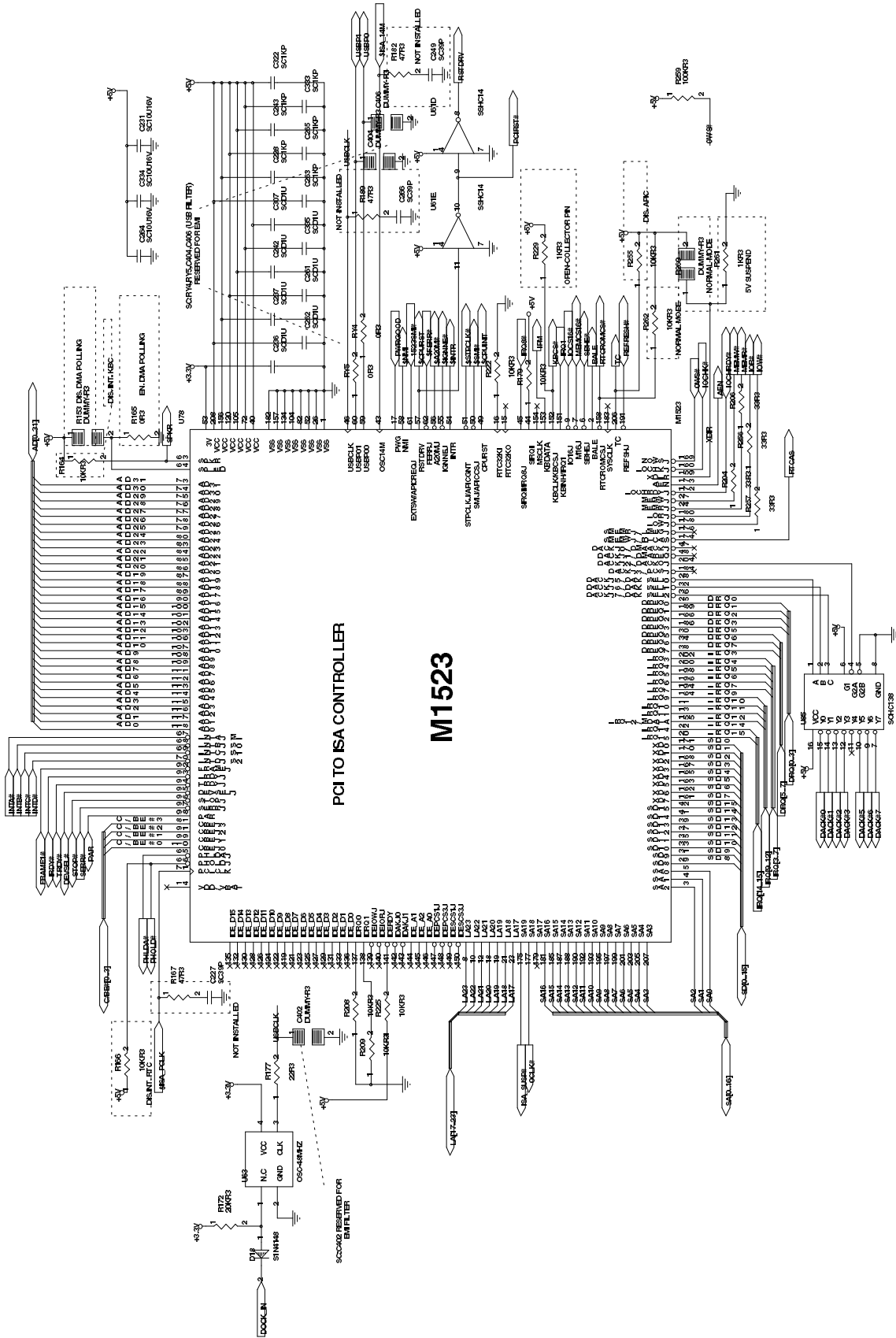
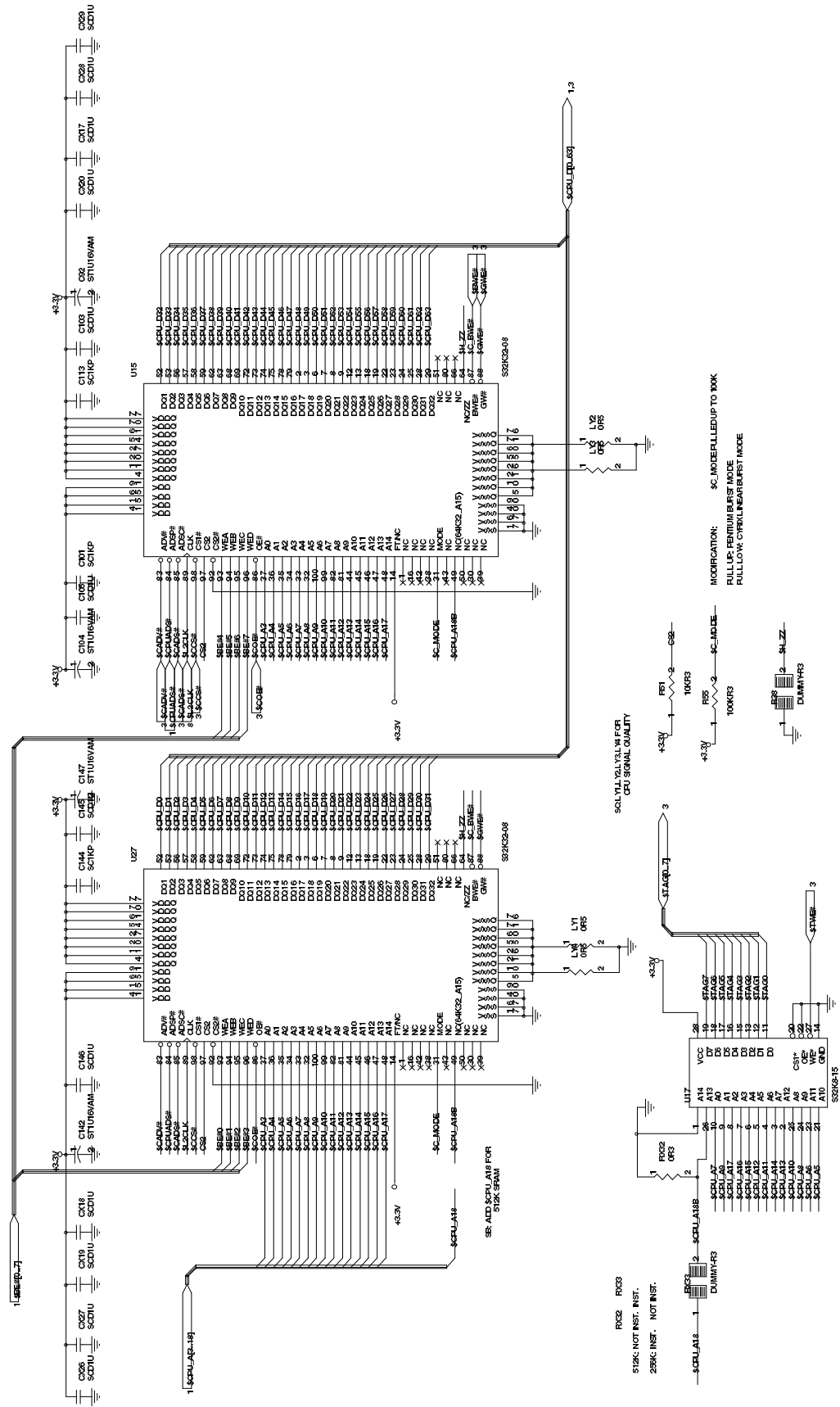


Figure A-1 Notebook Main Board Logic Diagrams (Sheet 4 of 30)

256K L2 PIPELINE BURST CACHE



MODIFICATION:
 SC-MODE RULLED UP TO 100K
 RULLUP- PENNUMBURST MODE
 RULLLOW- CHEKLINEAR BURST MODE

R1, R2, R3
 512K: NOT INST. INST.
 256K: INST. NOT INST.

Figure A-1 Notebook Main Board Logic Diagrams (Sheet 5 of 30)

16MB DRAM MEMORY

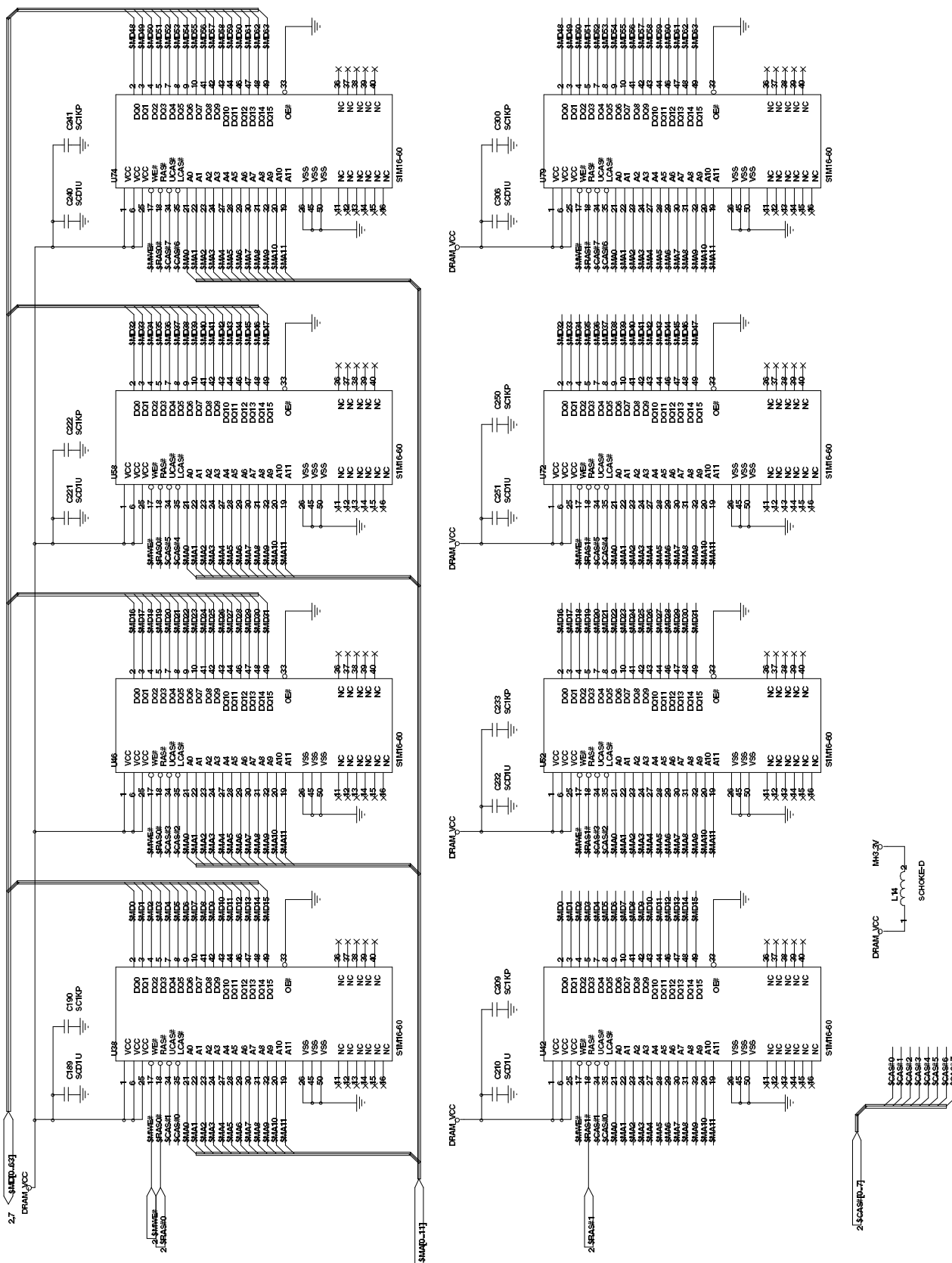


Figure A-1 Notebook Main Board Logic Diagrams (Sheet 6 of 30)

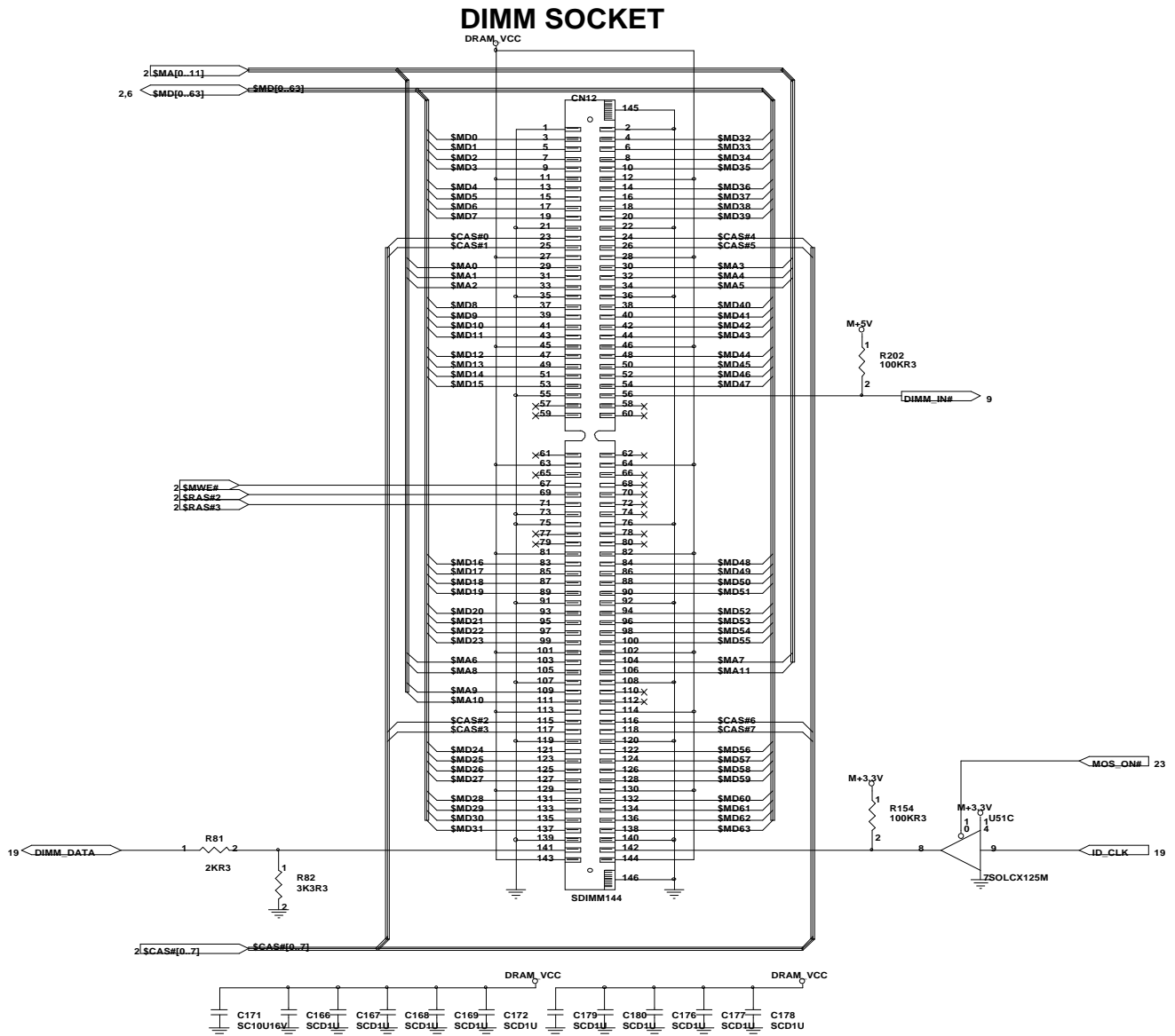


Figure A-1 Notebook Main Board Logic Diagrams (Sheet 7 of 30)

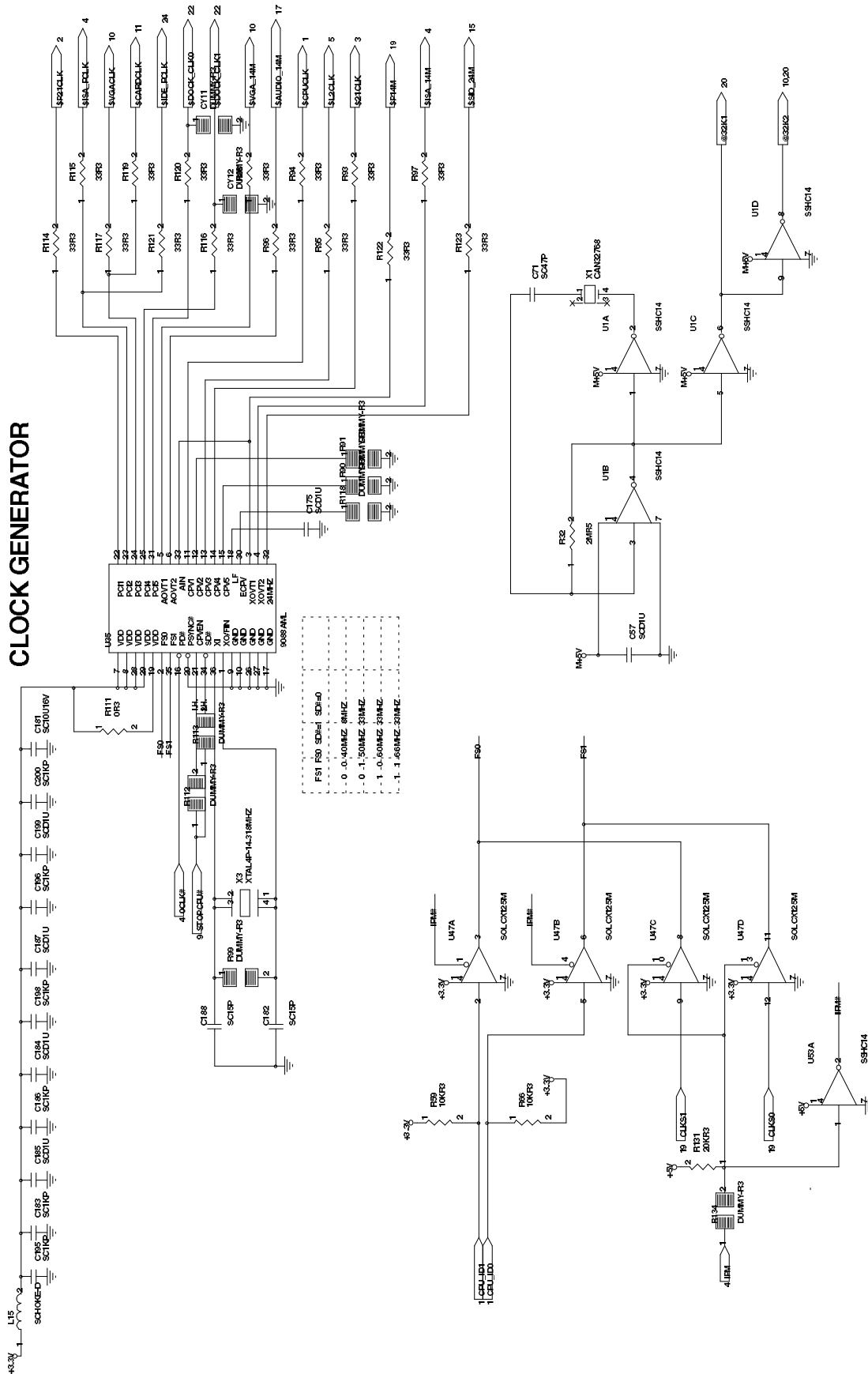


Figure A-1 Notebook Main Board Logic Diagrams (Sheet 8 of 30)

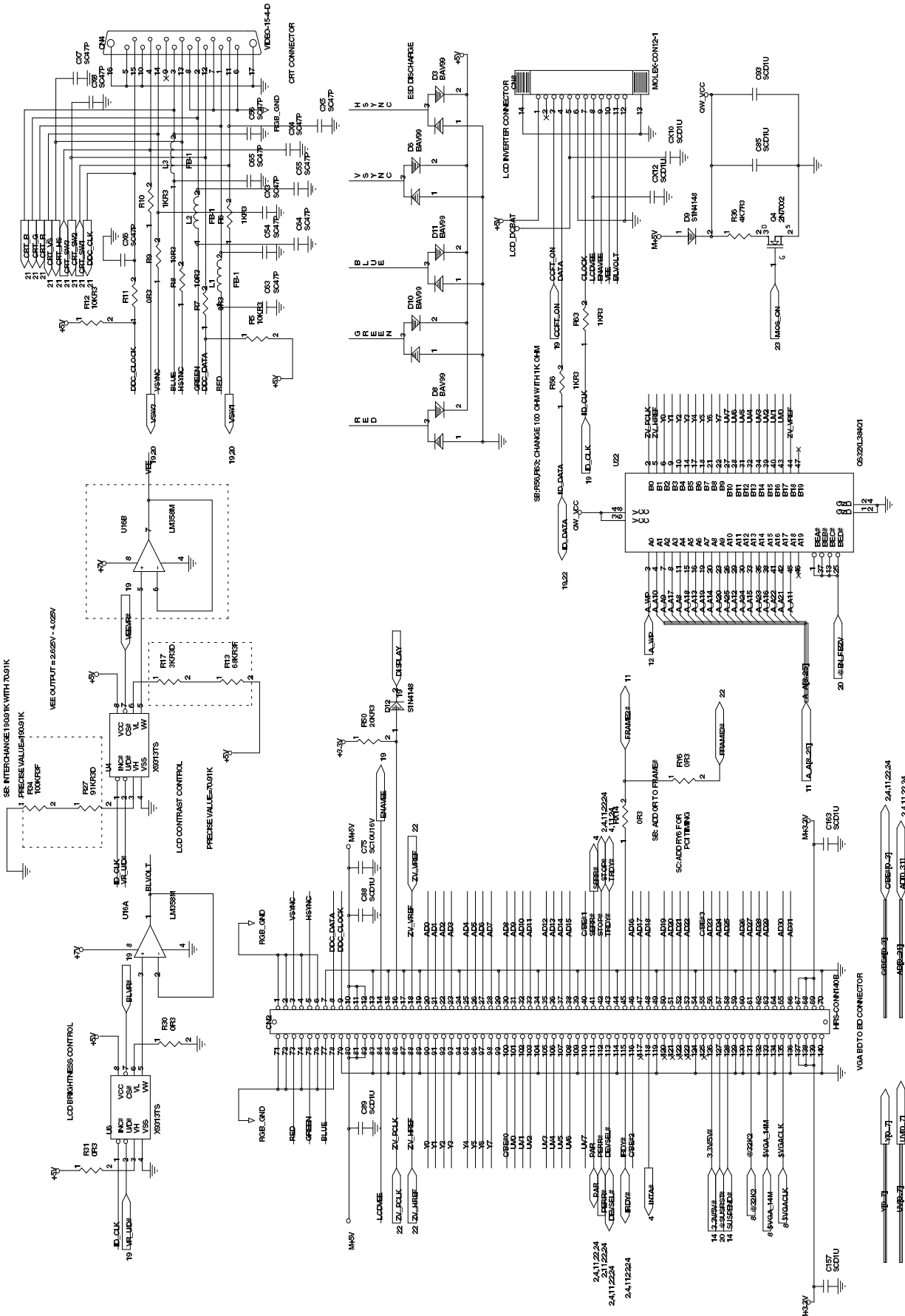


Figure A-1 Notebook Main Board Logic Diagrams (Sheet 10 of 30)

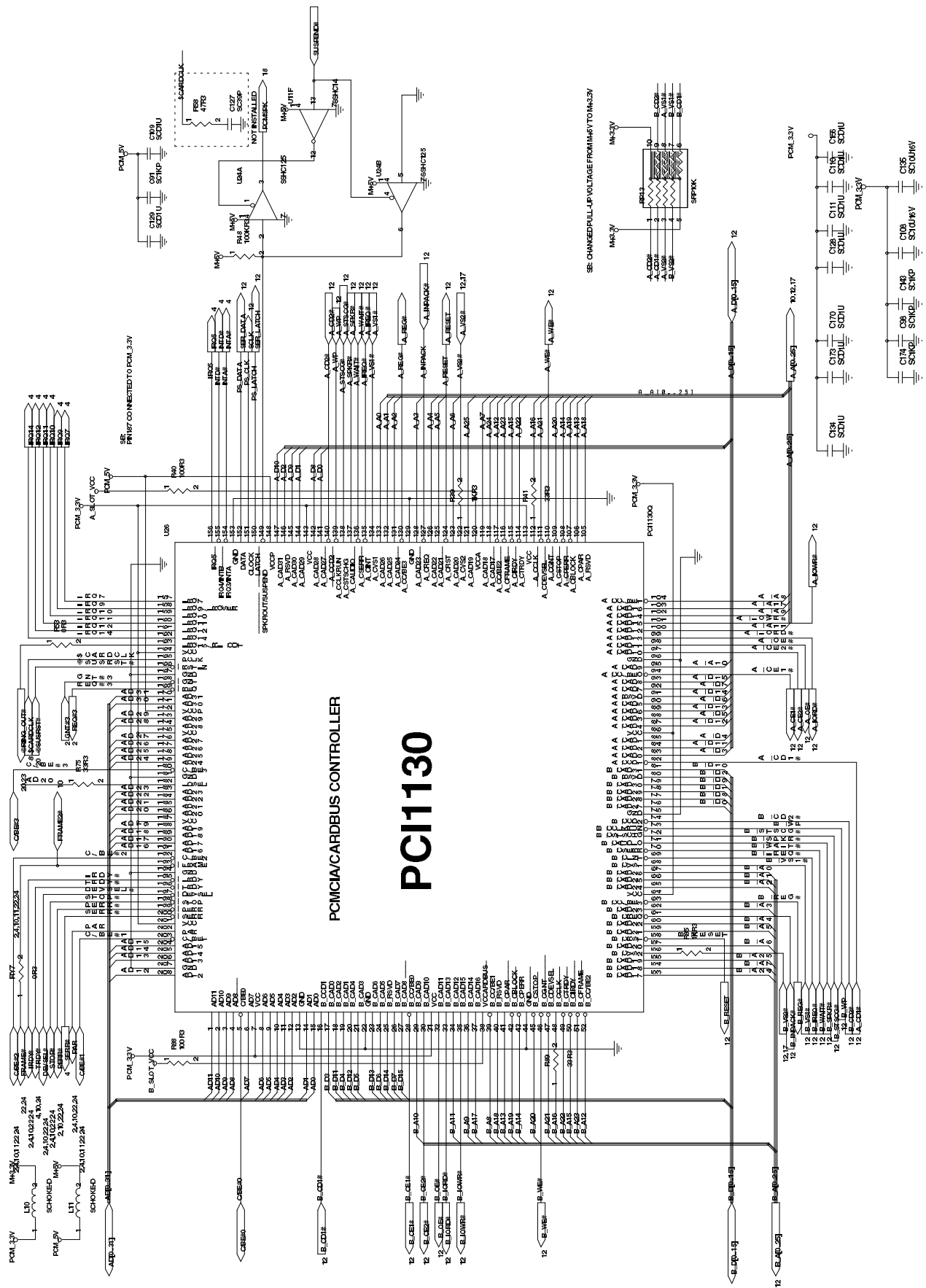


Figure A-1 Motherboard PWB Logic Diagrams (Sheet 11 of 23)

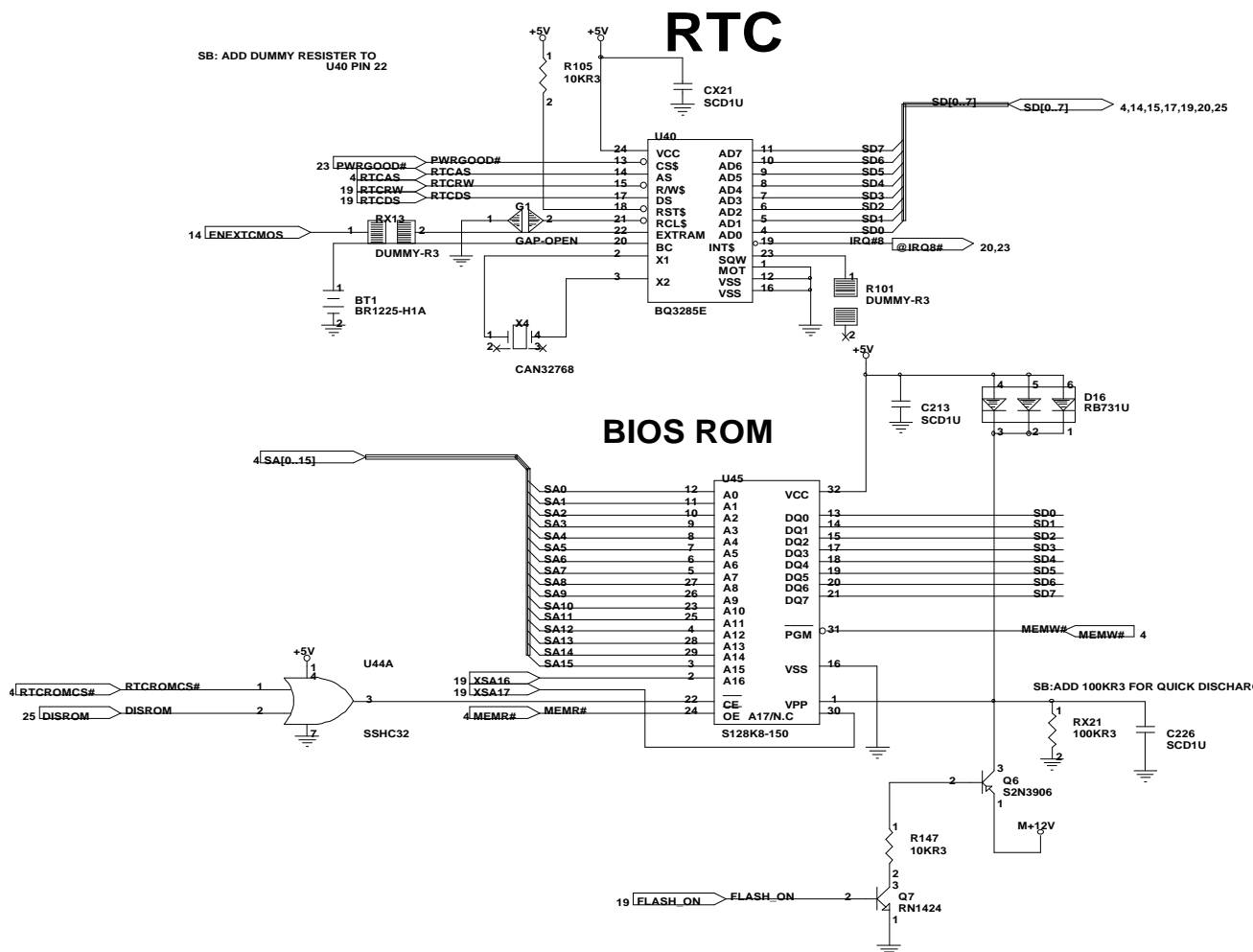


Figure A-1 Notebook Main Board Logic Diagrams (Sheet 13 of 30)

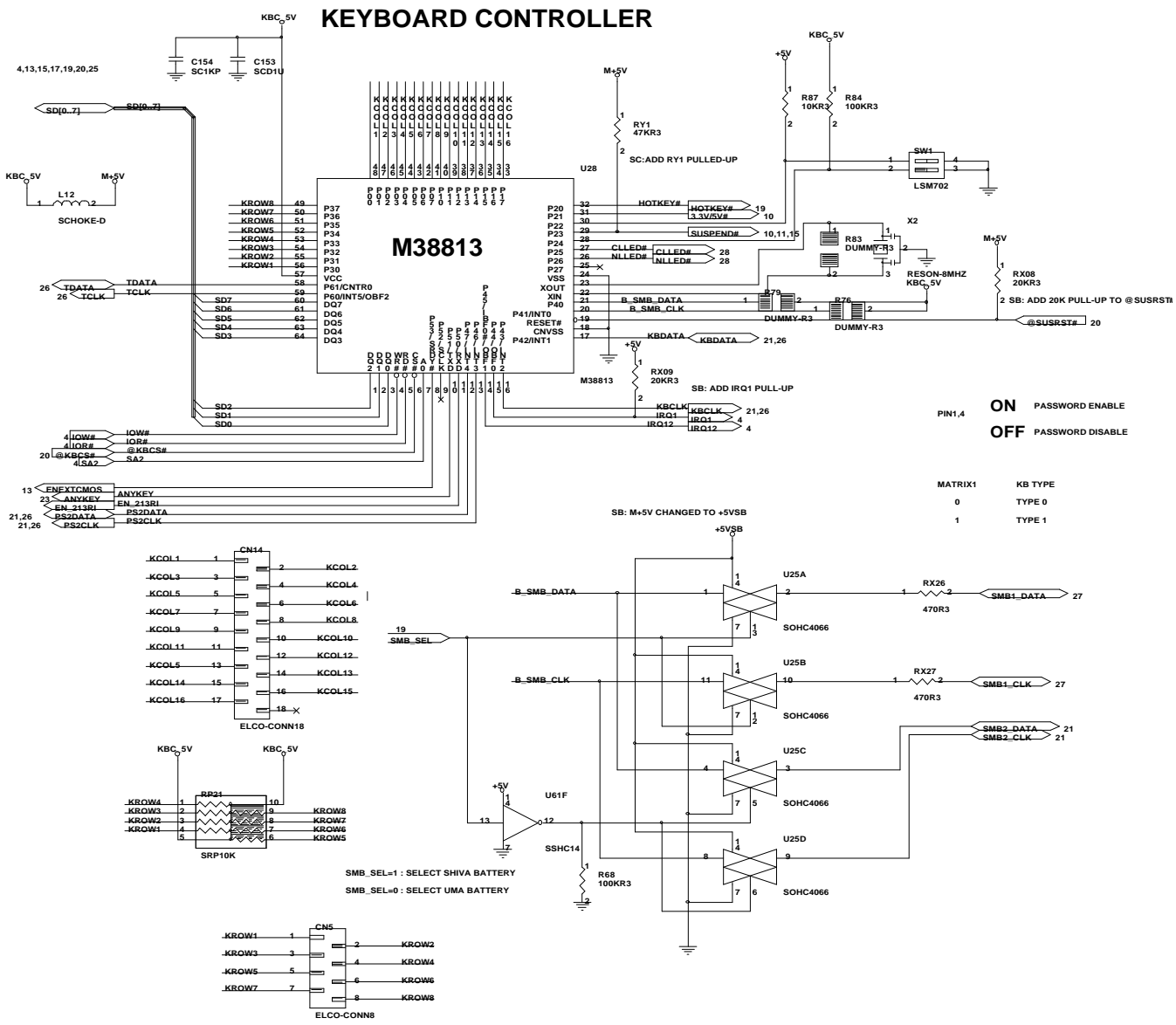


Figure A-1 Notebook Main Board Logic Diagrams (Sheet 14 of 30)

SUPER I/O CONTROLLER

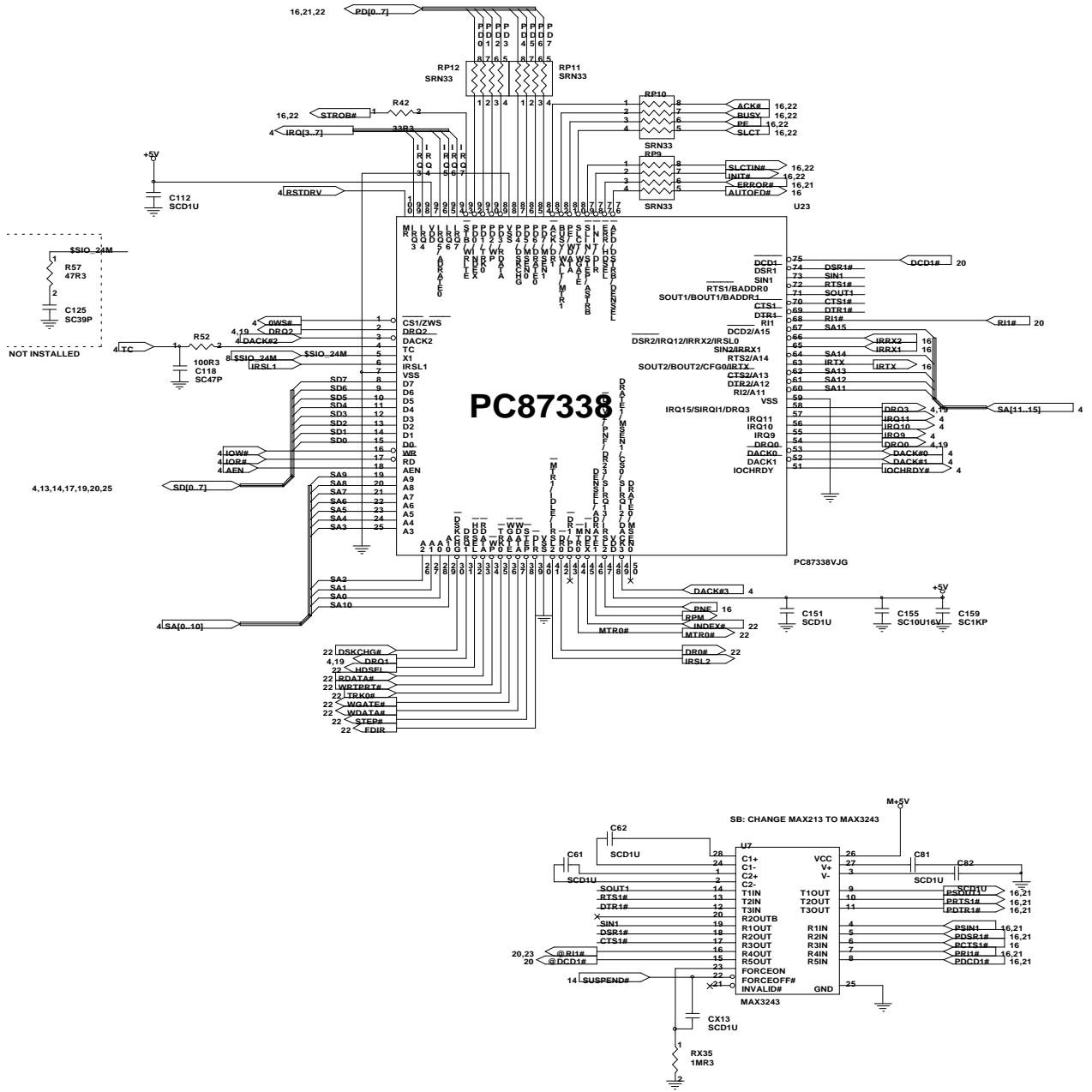


Figure A-1 Notebook Main Board Logic Diagrams (Sheet 15 of 30)

SERIAL/PARALLEL PORT INTERFACE

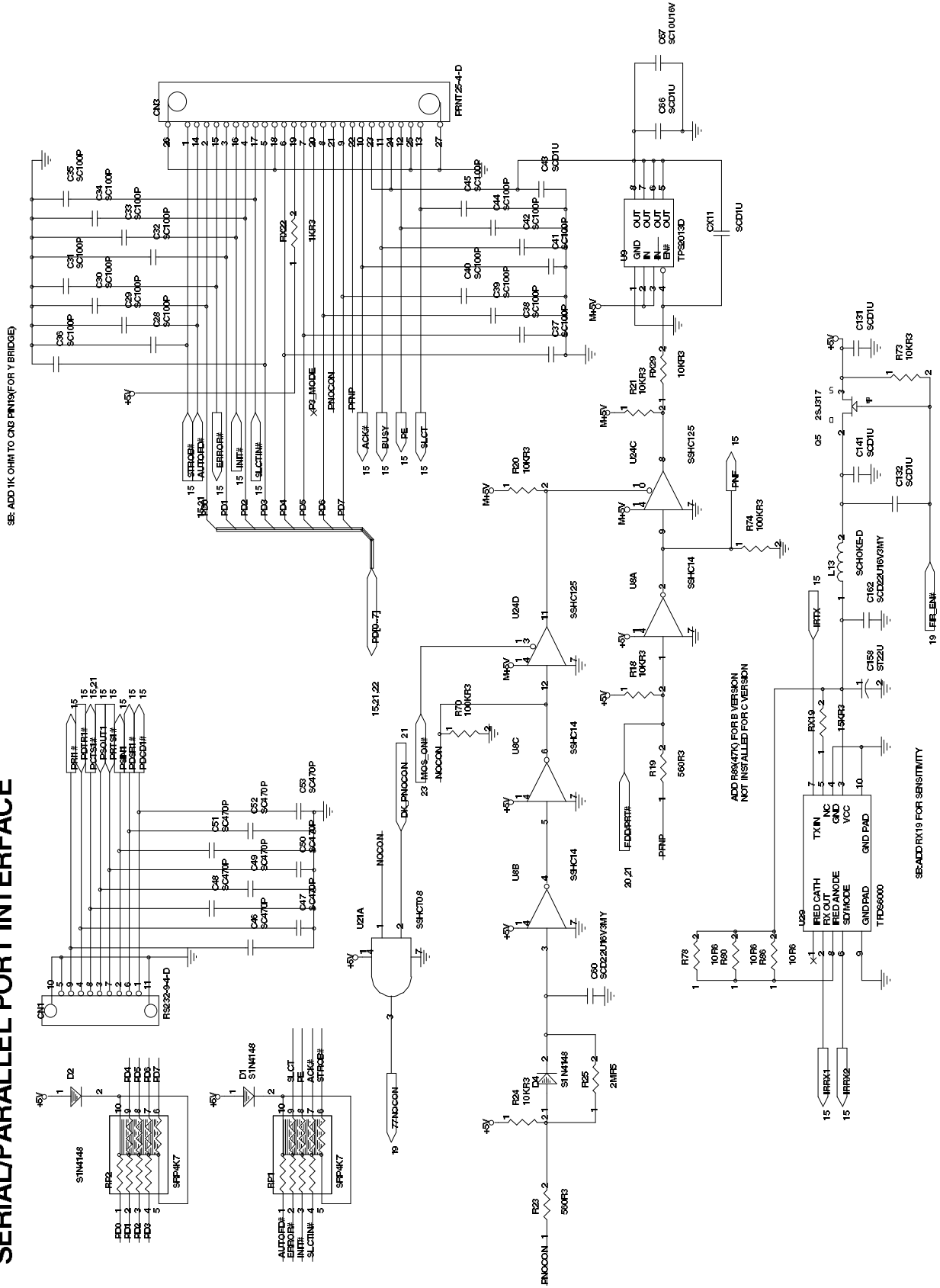


Figure A-1 Notebook Main Board Logic Diagrams (Sheet 16 of 30)

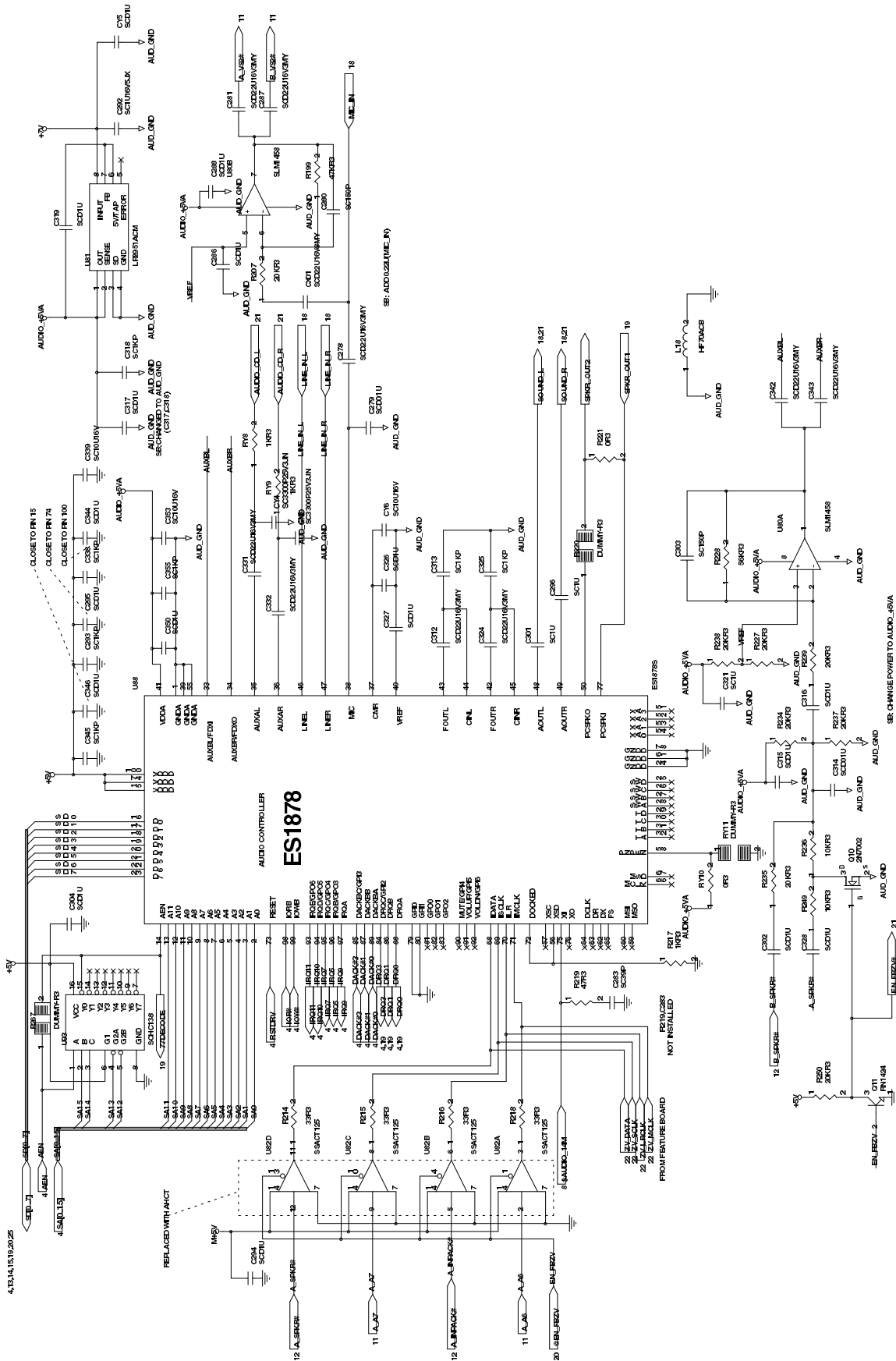


Figure A-1 Notebook Main Board Logic Diagrams (Sheet 17 of 30)

AUDIO AMPLIFIER, PHONE JACKS & BUZZER

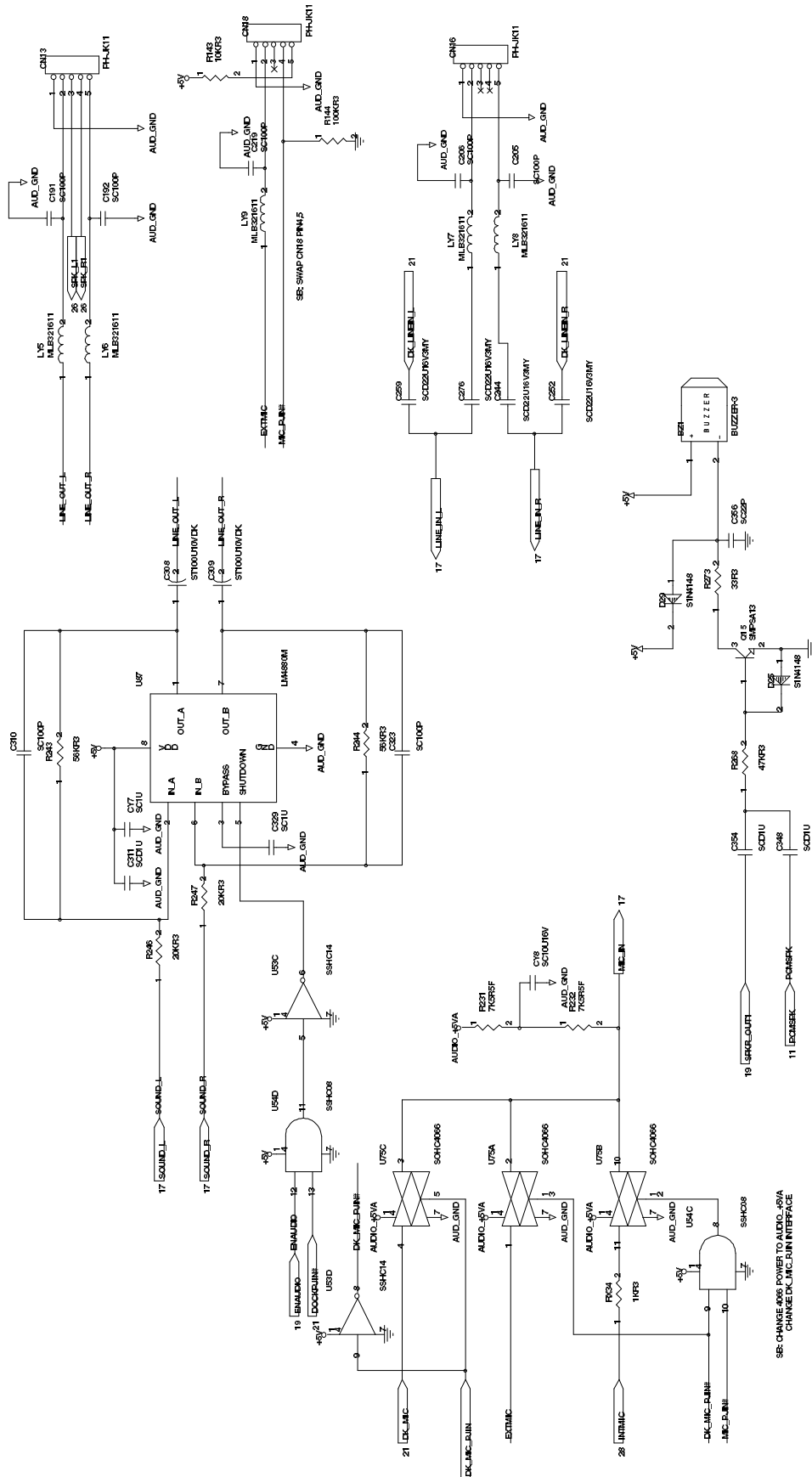


Figure A-1 Notebook Main Board Logic Diagrams (Sheet 18 of 30)

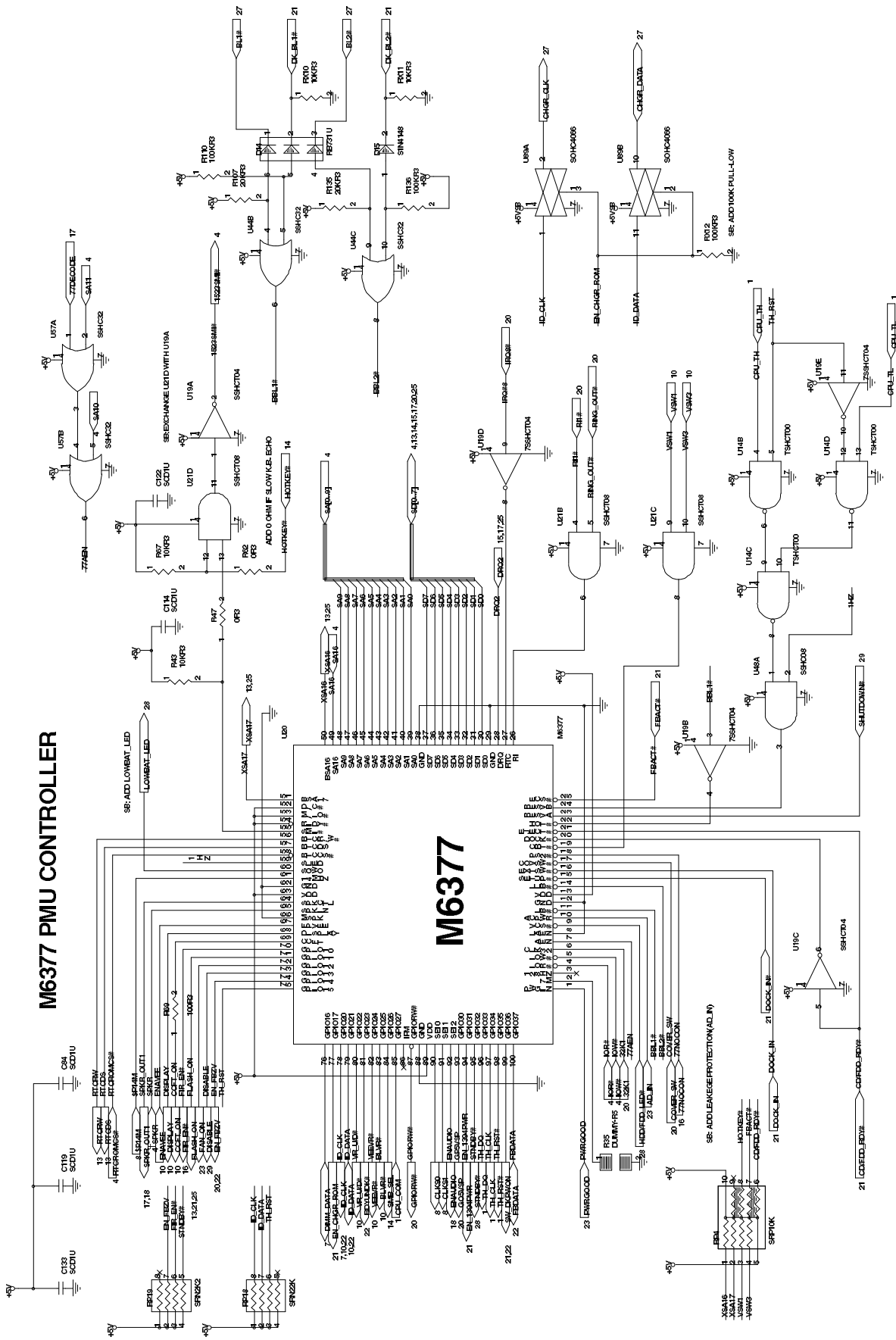


Figure A-1 Notebook Main Board Logic Diagrams (Sheet 19 of 30)

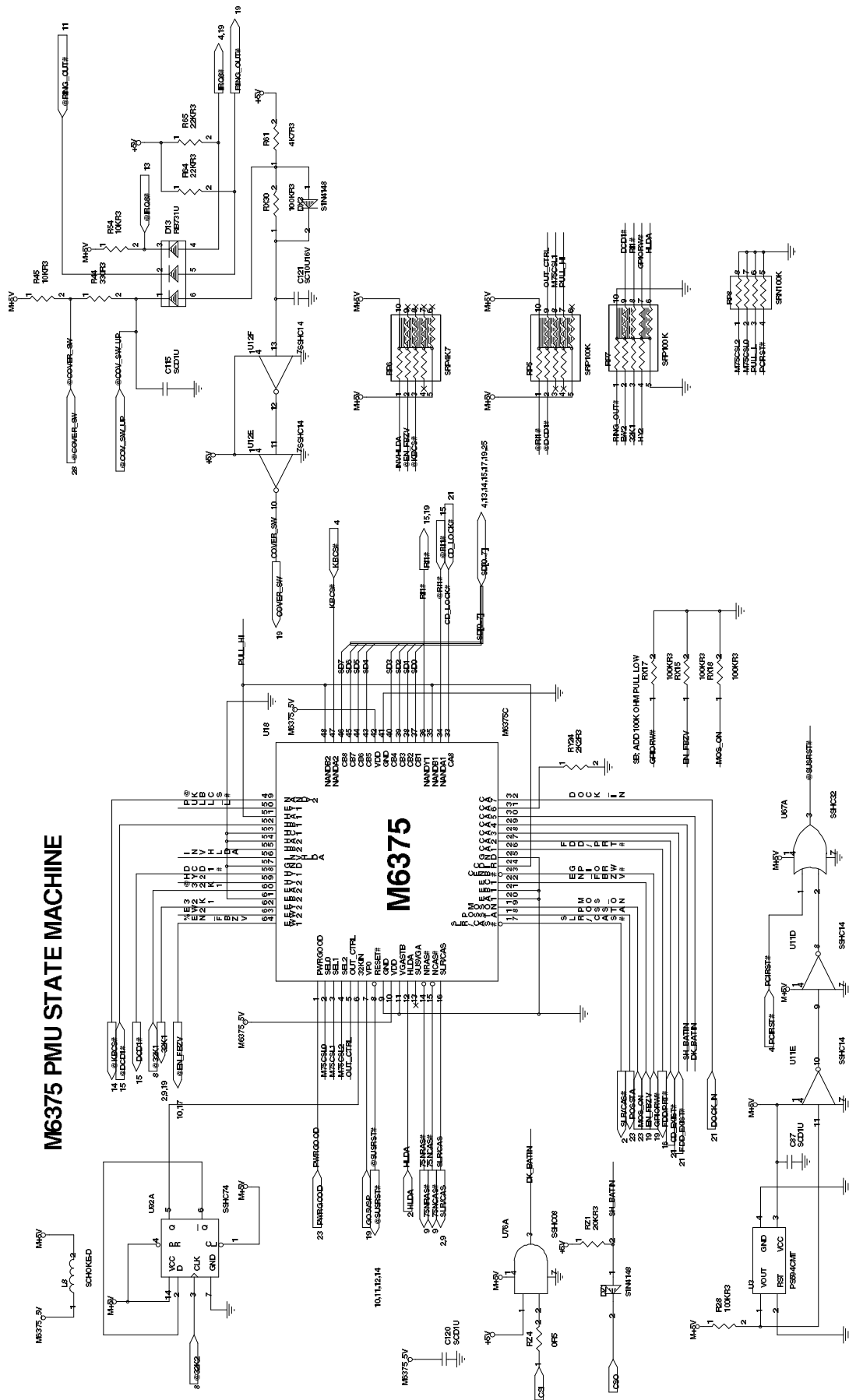
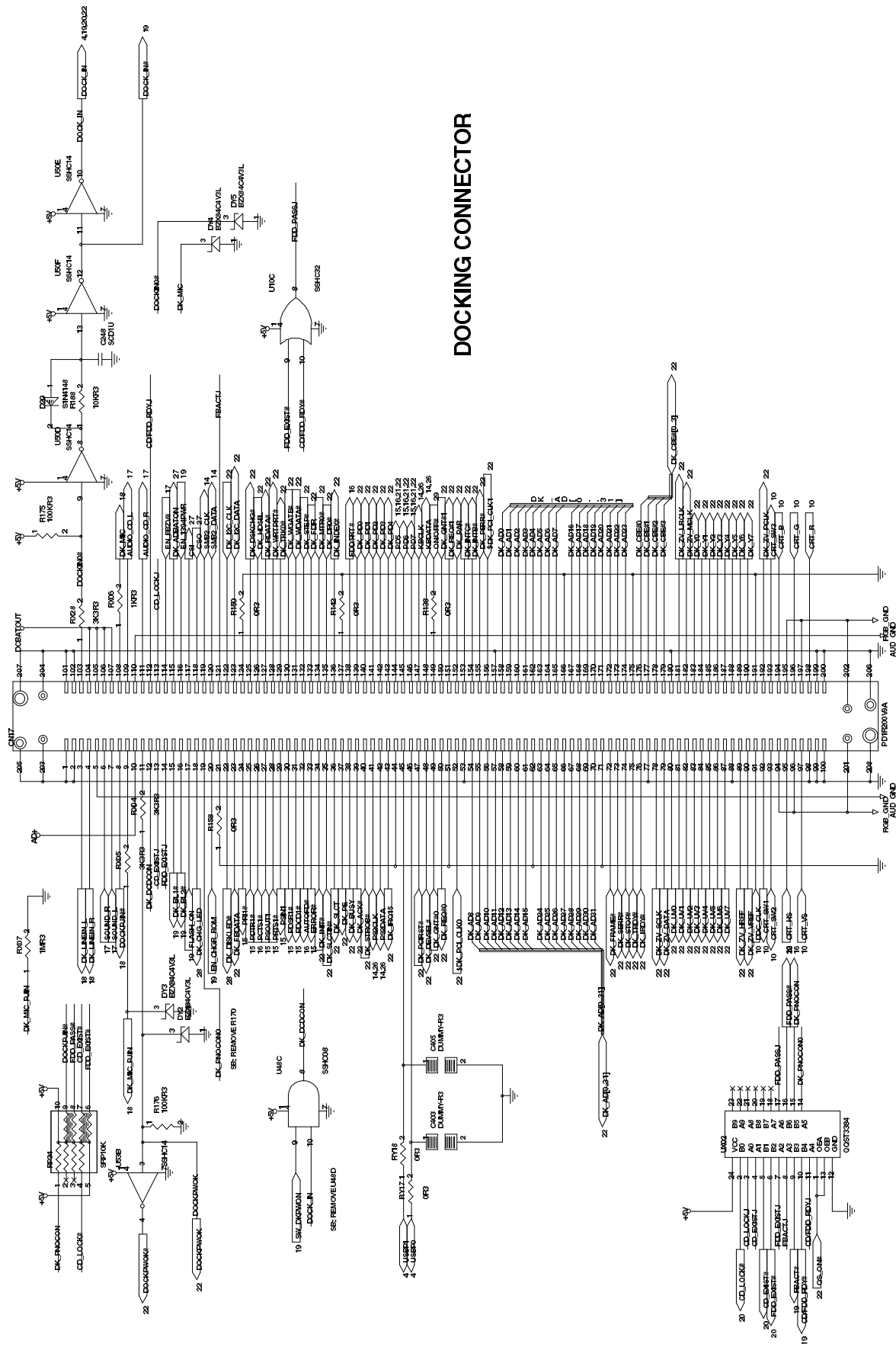


Figure A-1 Notebook Main Board Logic Diagrams (Sheet 20 of 30)



DOCKING CONNECTOR

Figure A-1 Notebook Main Board Logic Diagrams (Sheet 21 of 30)

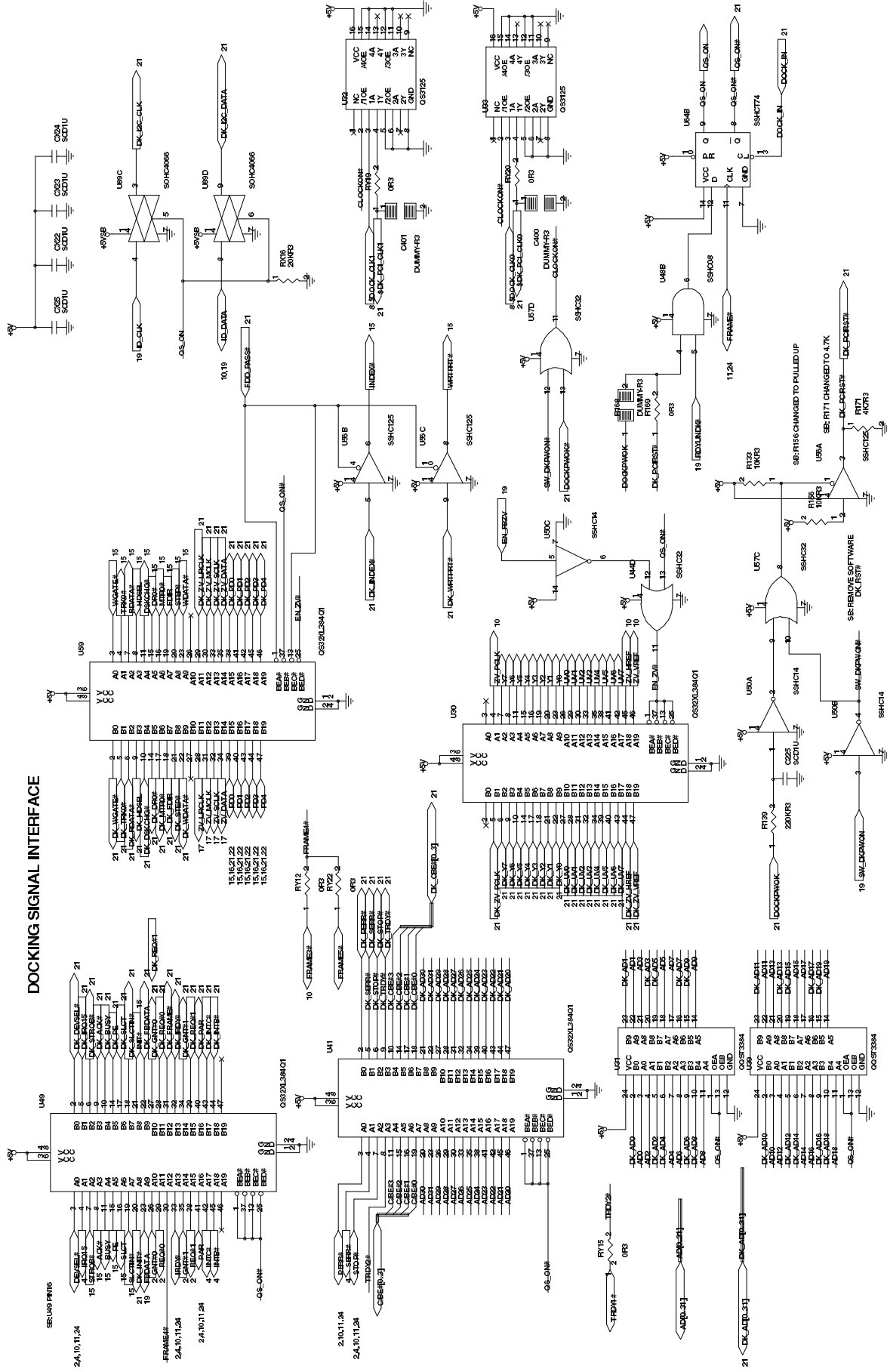


Figure A-1 Notebook Main Board Logic Diagrams (Sheet 22 of 30)

SUSPEND RESUME INTERFACE

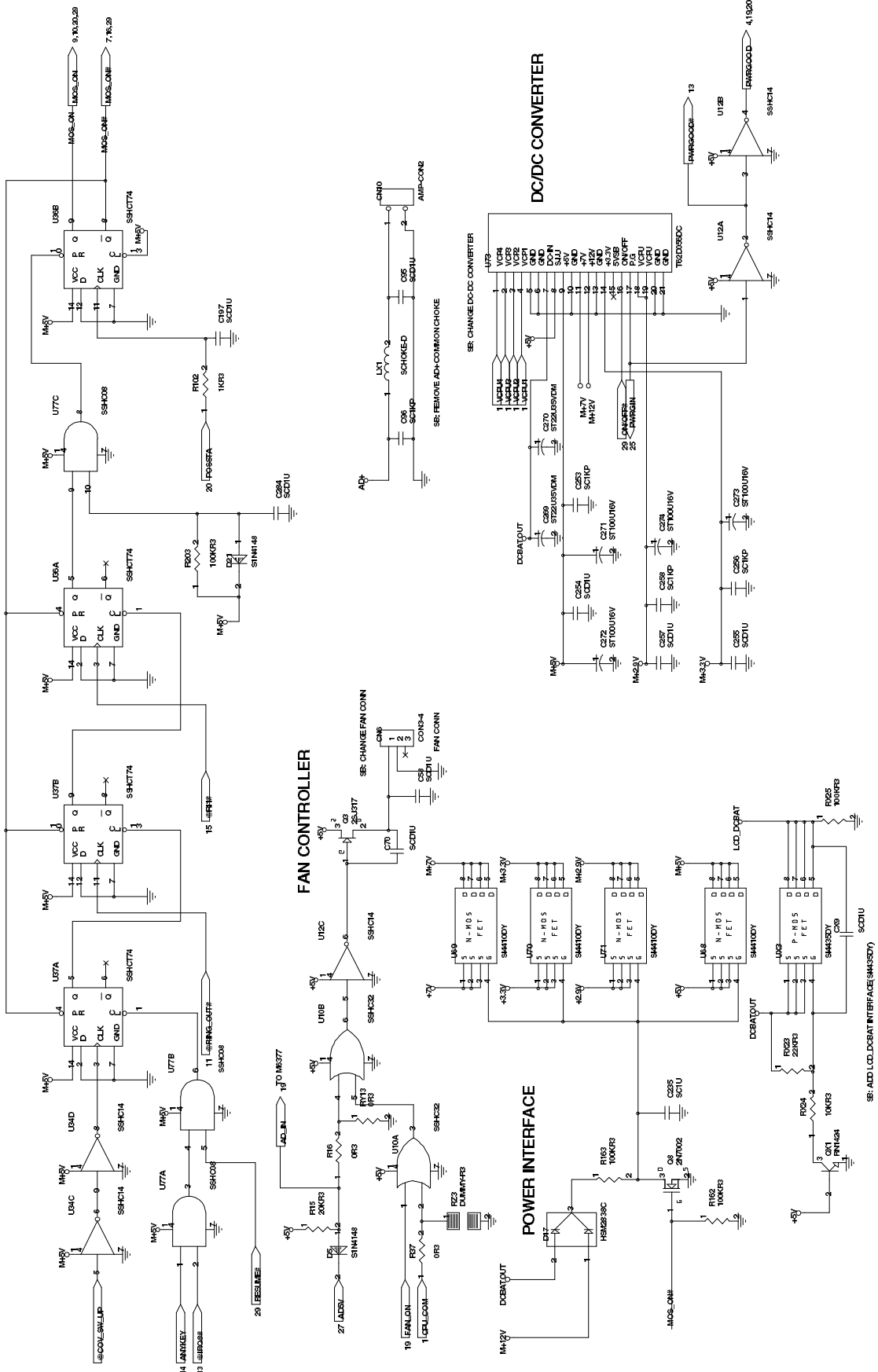


Figure A-1 Notebook Main Board Logic Diagrams (Sheet 23 of 30)

IDE CONTROLLER

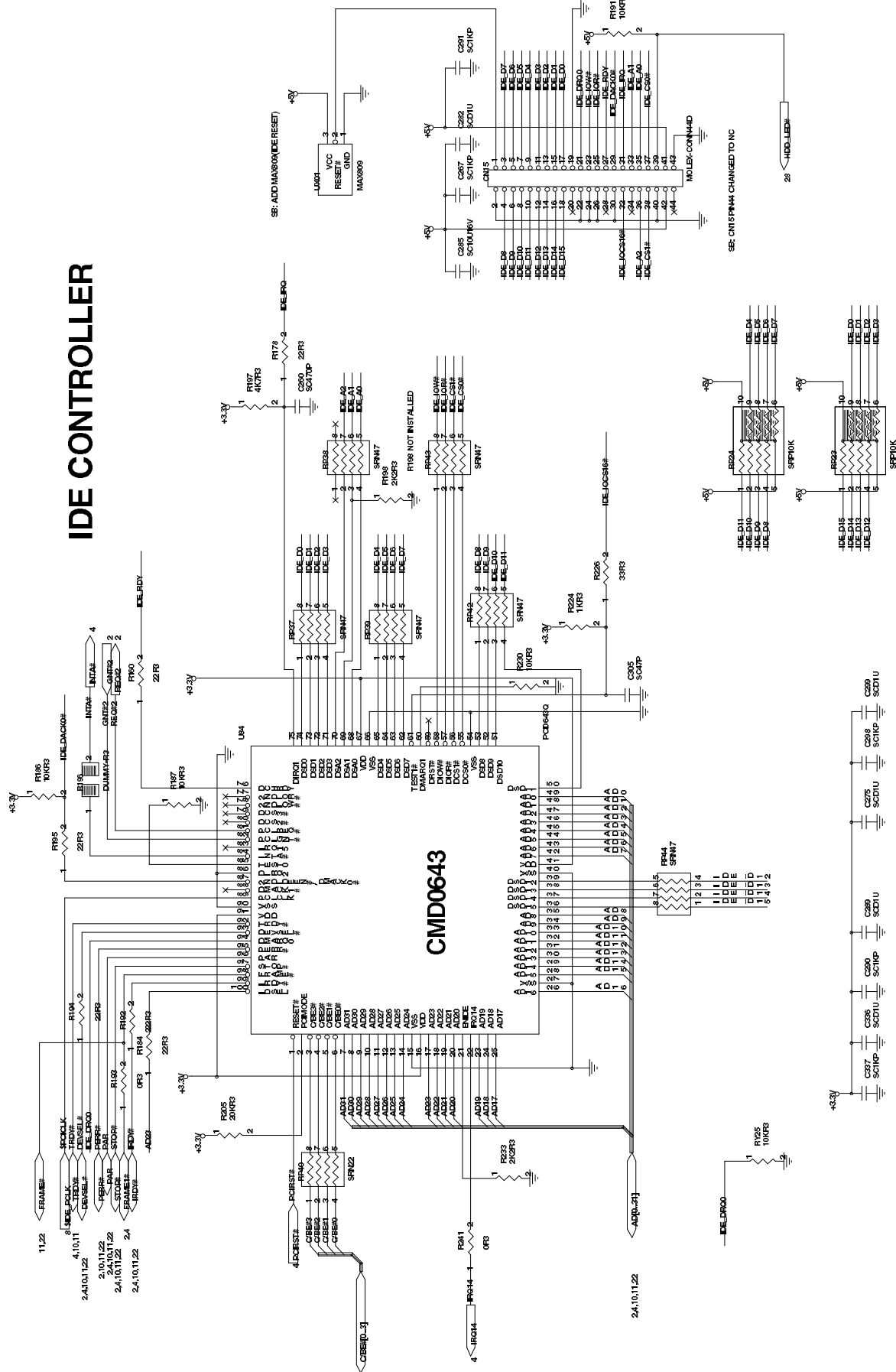


Figure A-1 Notebook Main Board Logic Diagrams (Sheet 24 of 30)

DEBUG-BD GOLDEN FINGER

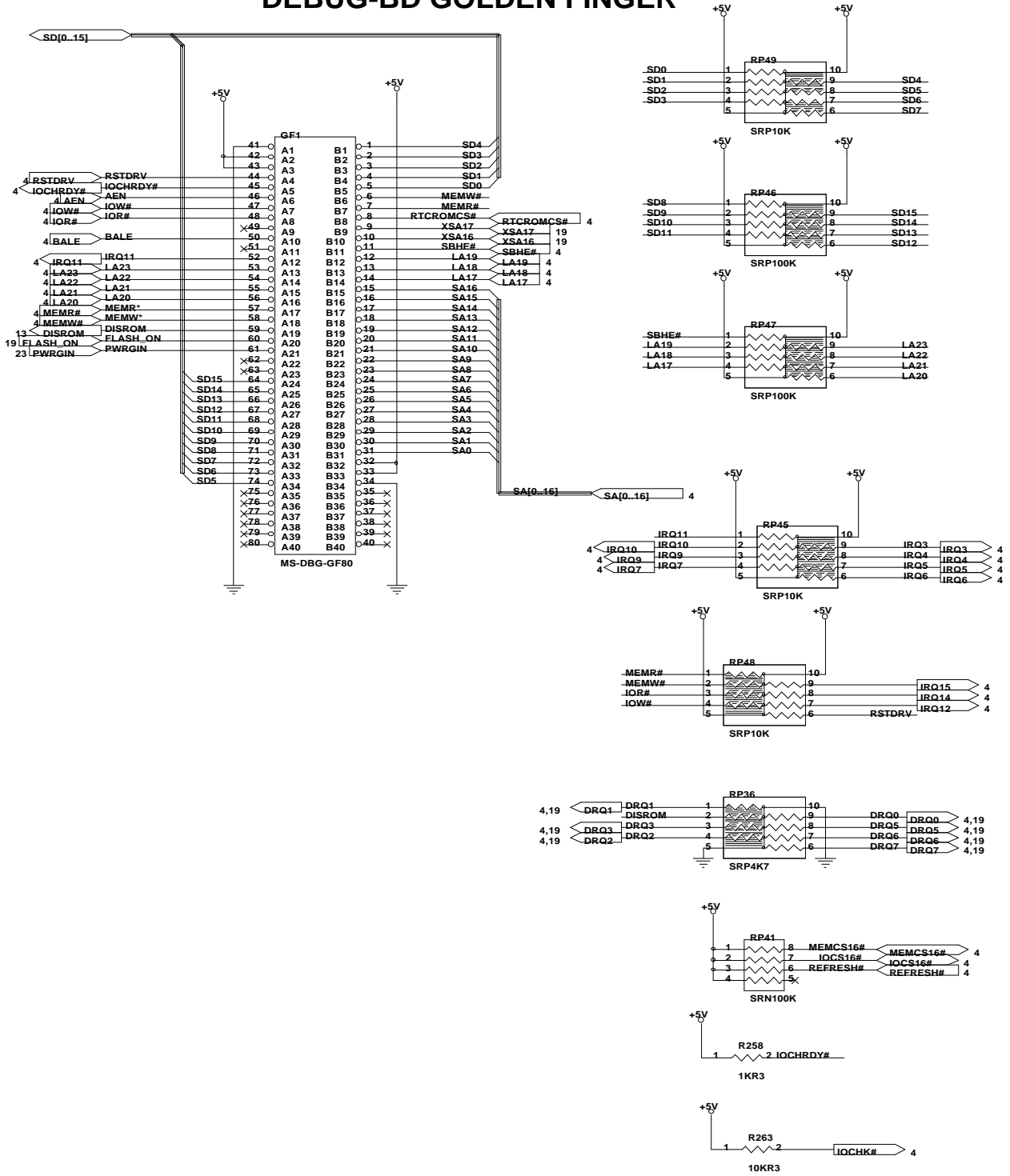
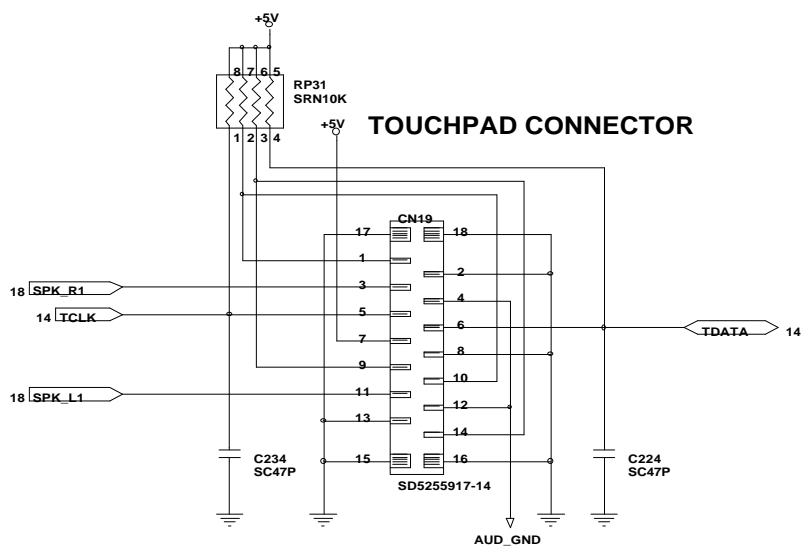
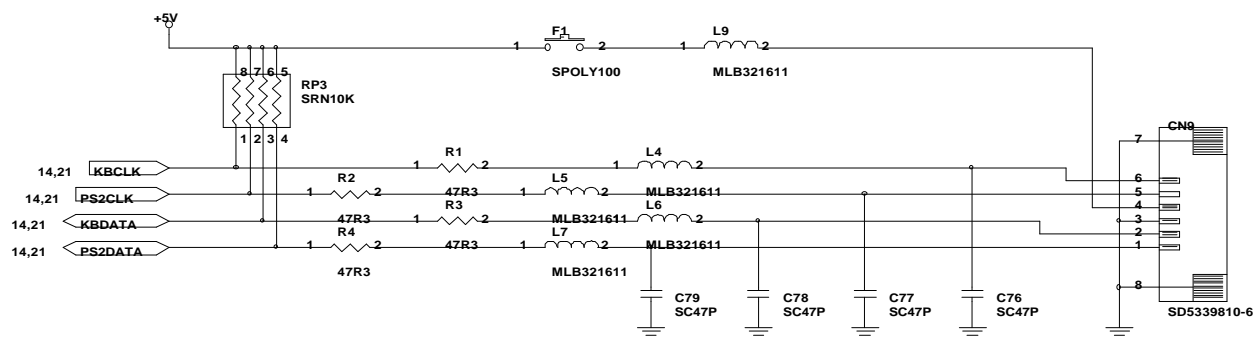


Figure A-1 Notebook Main Board Logic Diagrams (Sheet 25 of 30)

PS2 INTERFACE



SB: CHANGE CN19 PIN DEFINITION

Figure A-1 Notebook Main Board Logic Diagrams (Sheet 26 of 30)

CHARGER INTERFACE CIRCUIT

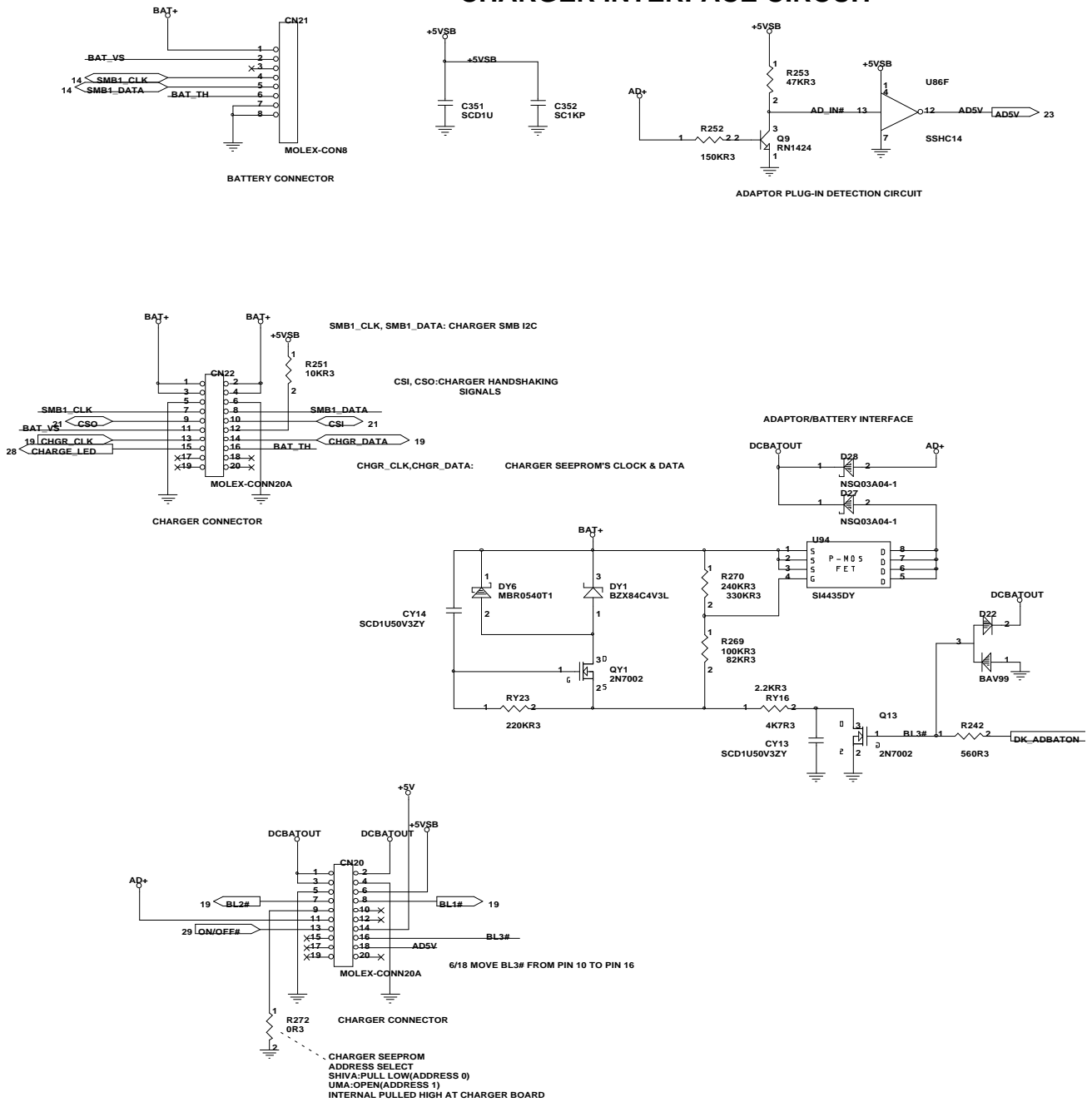
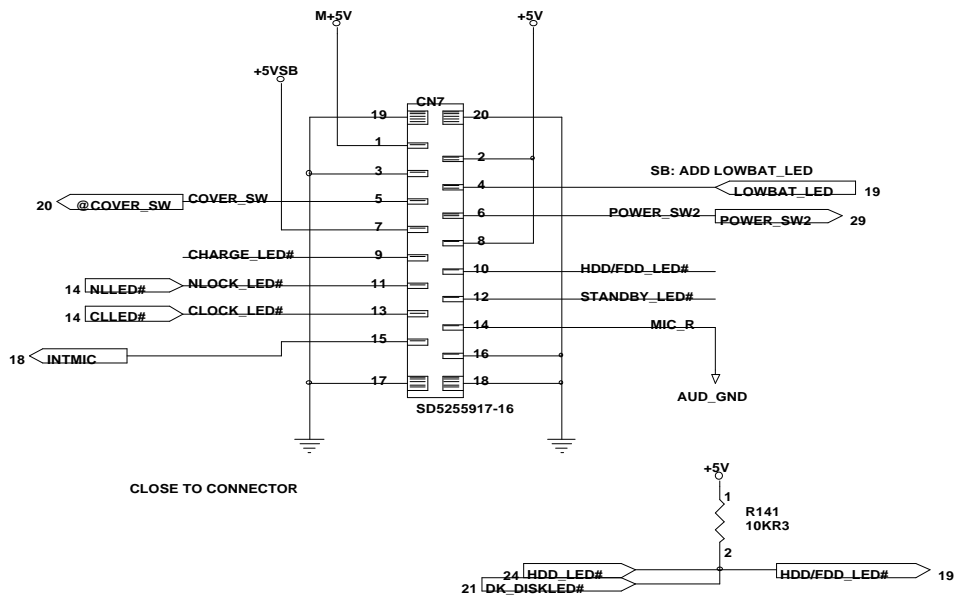
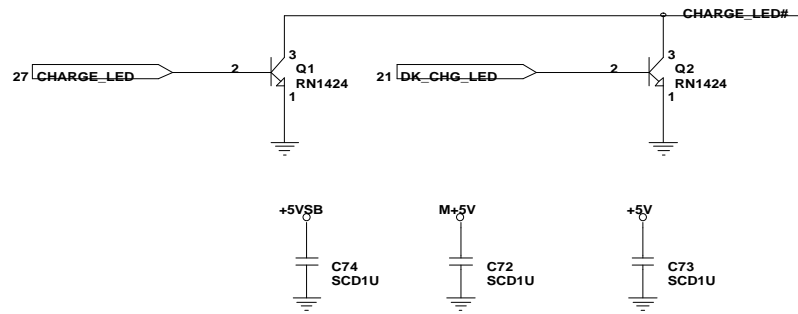


Figure A-1 Notebook Main Board Logic Diagrams (Sheet 27 of 30)

LED INTERFACE



CLOSE TO CONNECTOR

CLOSE TO AUDIO CHIP

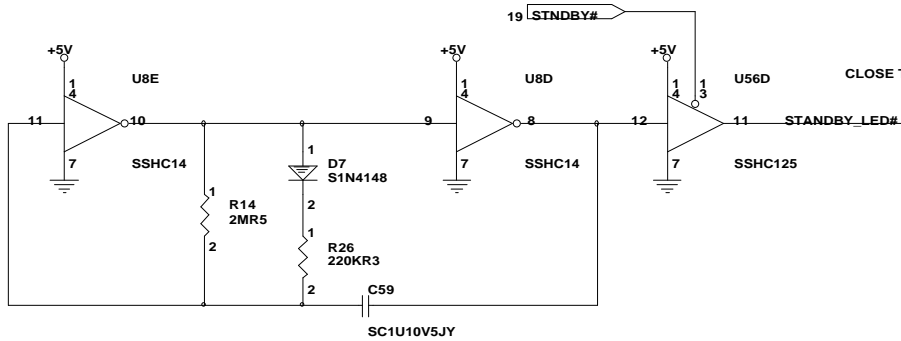


Figure A-1 Notebook Main Board Logic Diagrams (Sheet 28 of 30)

POWER ON BUTTON INTERFACE

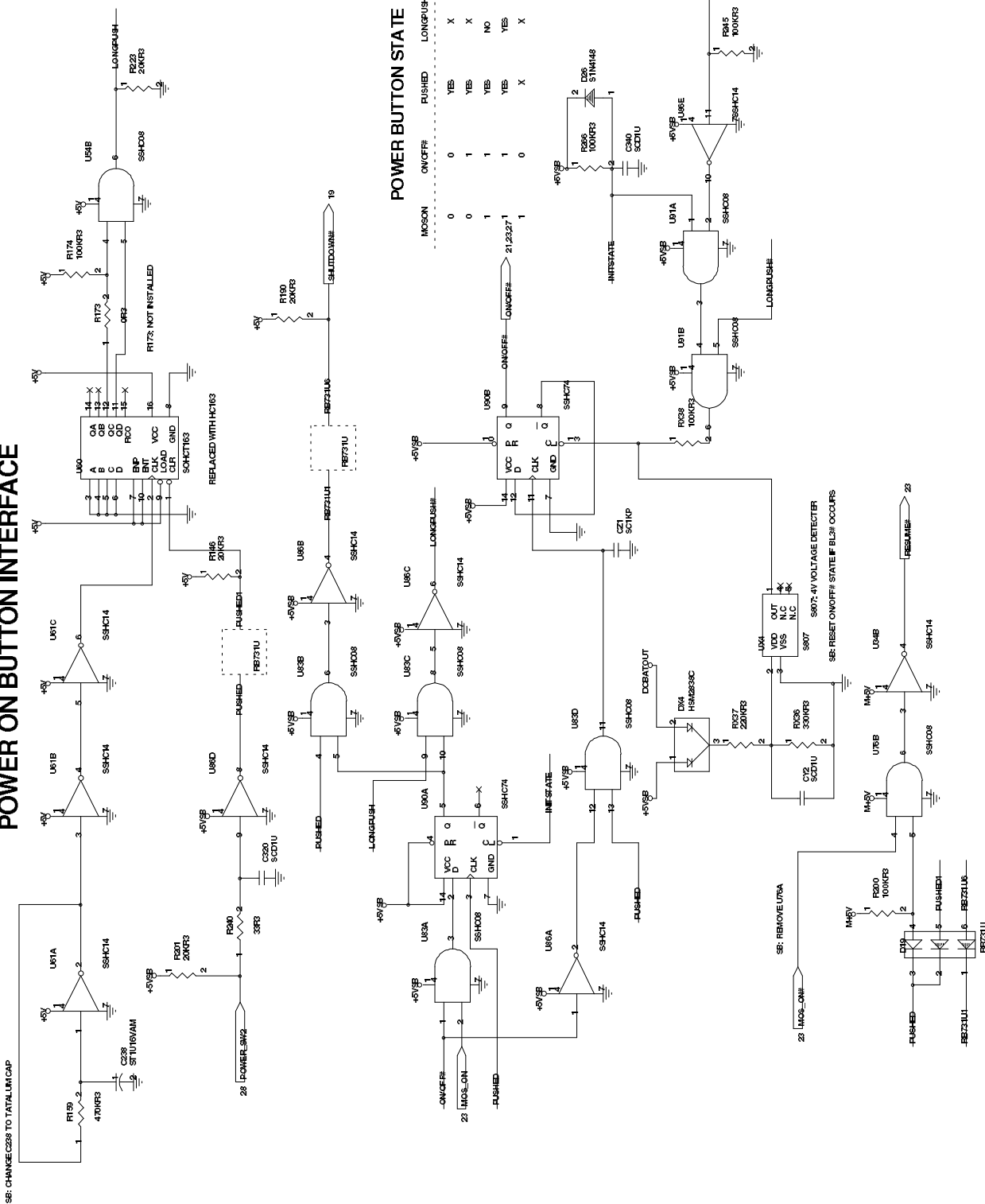


Figure A-1 Notebook Main Board Logic Diagrams (Sheet 29 of 30)

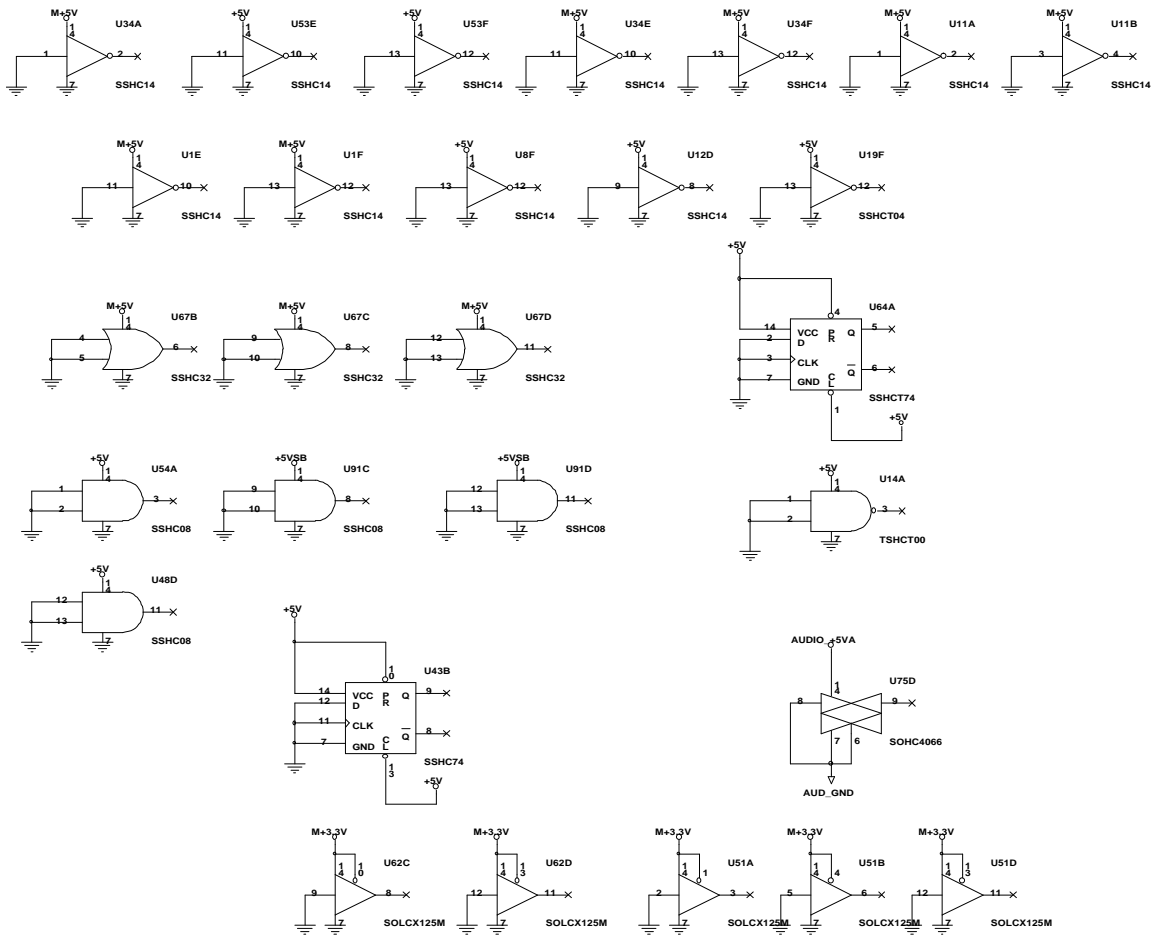


Figure A-1 Notebook Main Board Logic Diagrams (Sheet 30 of 30)

