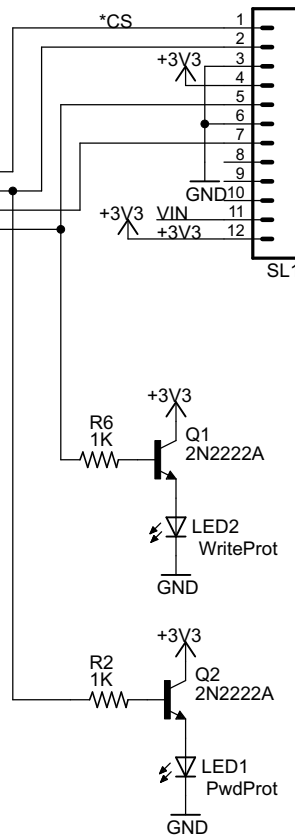
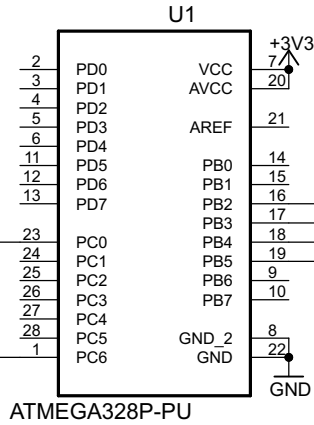


Voltage at PC0:
 No switch pressed = 1.37 VDC (0x6a)
 WRT switch pressed = 0.61 VDC (0x2e)
 PWD switch pressed = 1.07 VDC (0x53)



SDmicro card socket
 (Reference only; do not use
 for board layout!)

Pin 11 (COM) and pin 12 (CardDetect)
 used as power switch for circuit.

TITLE: sdlocker1k

Document Number:

REV:

Date: 1/2/2017 11:00:55 AM

Sheet: 1/1