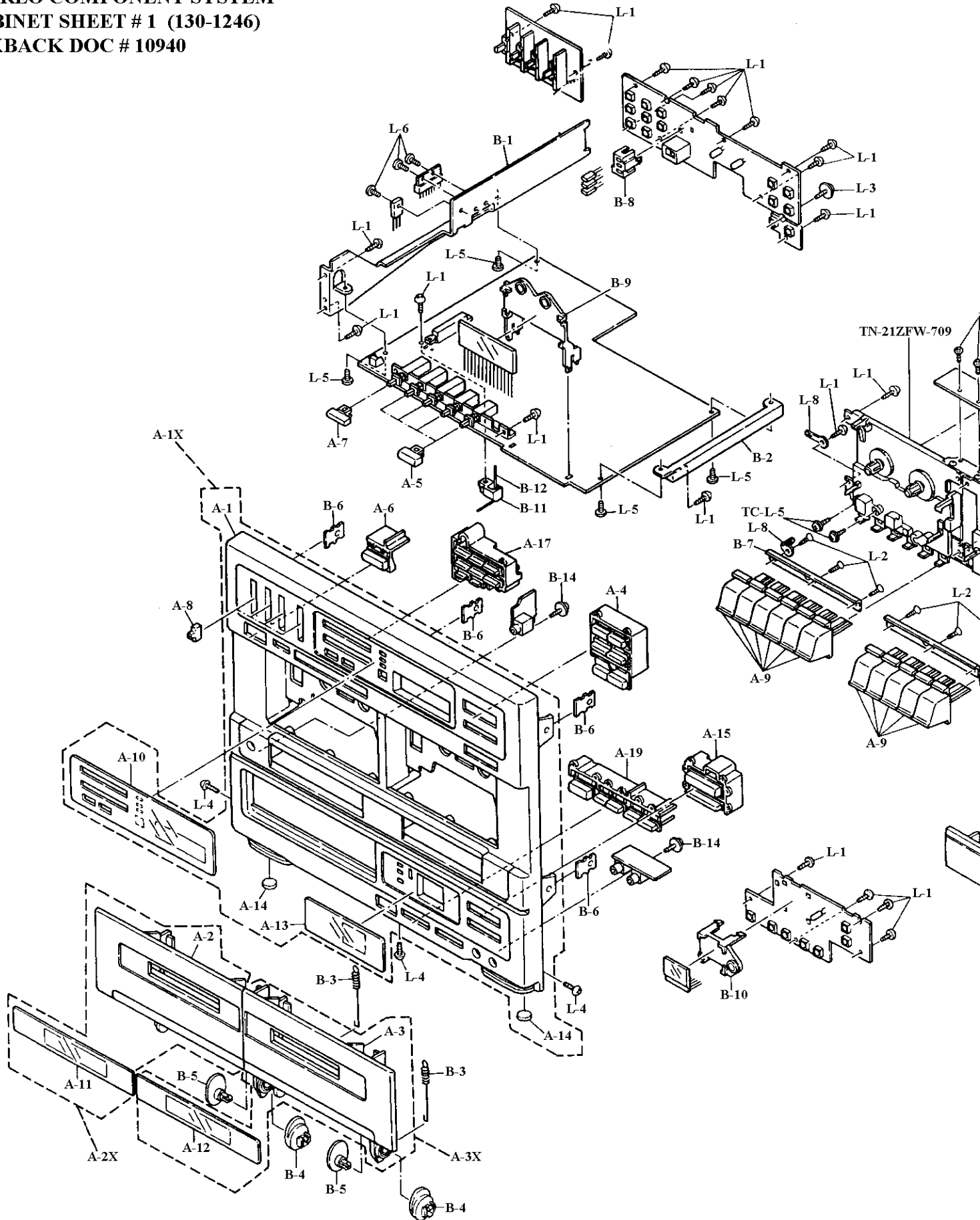


**MODULAIRE 570 AM/FM
STEREO COMPONENT SYSTEM
CABINET SHEET # 1 (130-1246)
FAXBACK DOC # 10940**



**MODULAIRE 570 AM/FM
STEREO COMPONENT SYSTEM
CABINET SHEET # 2 (130-1246)
FAXBACK DOC # 10940**

