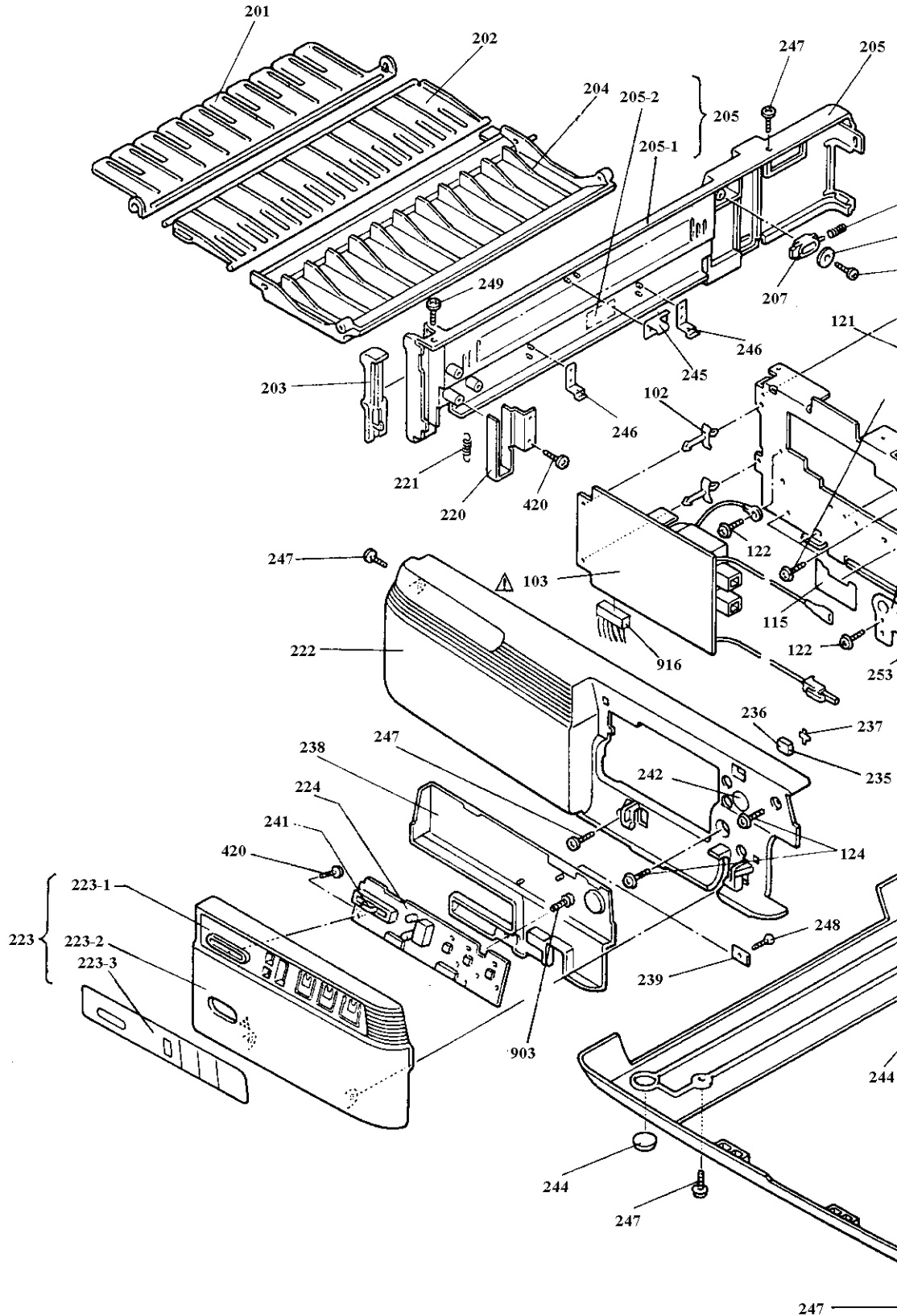


TANDY PPC 750  
PERSONAL COPIER  
FRAME 2 SHEET # 1 (630-0686)  
FAXBACK DOC # 10730



TANDY PPC 750  
PERSONAL COPIER  
FRAME 2 SHEET # 2 (630-0686)  
FAXBACK DOC # 10730

