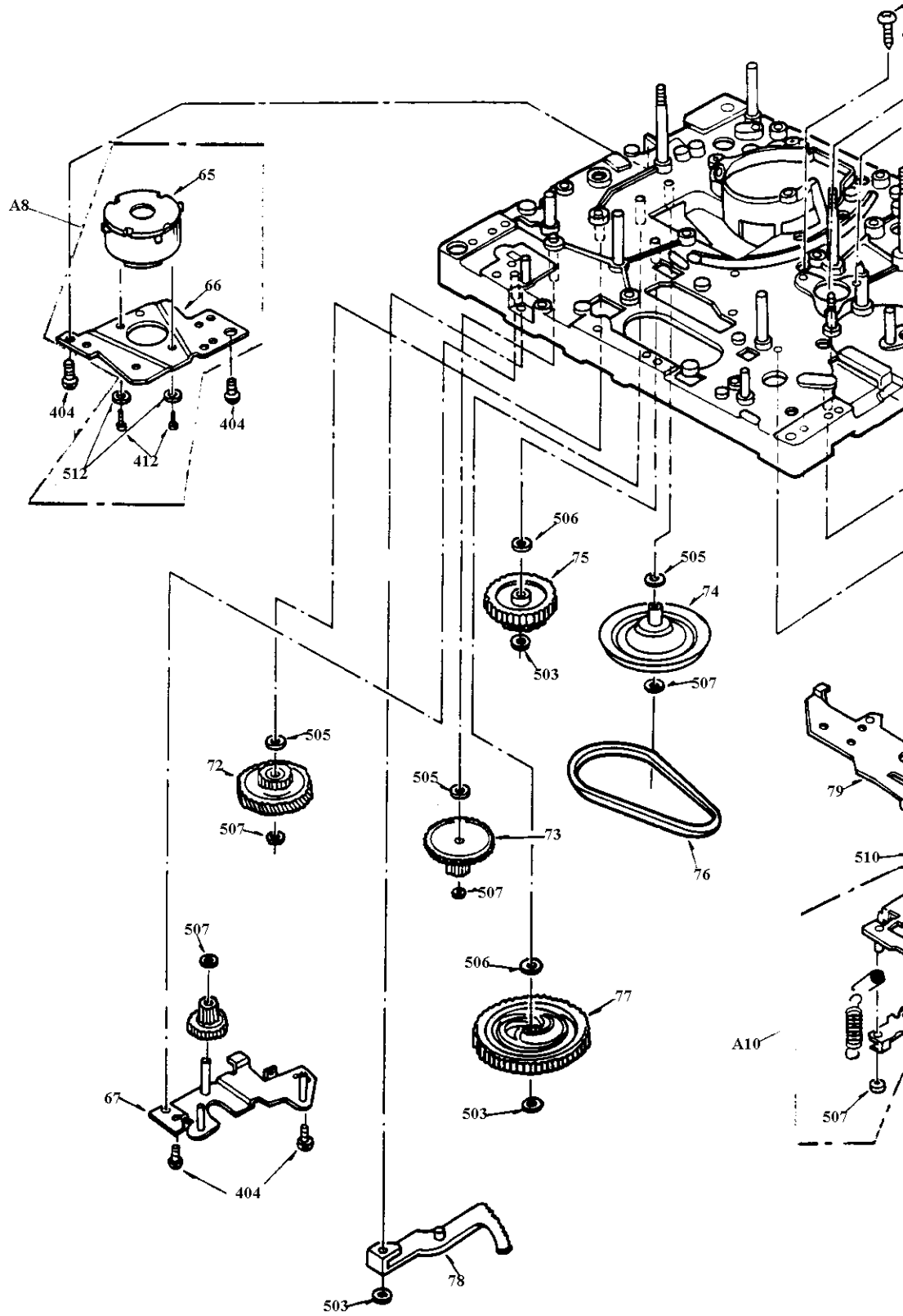


**MODEL 10 VIDEO CASSETTE
PLAYER MOVING MECHANISM II
SHEET # 1 (160-0403)
FAXBACK DOC # 10662**



**MODEL 10 VIDEO CASSETTE
PLAYER MOVING MECHANISM II
SHEET # 2 (160-0403)
FAXBACK DOC # 10662**

