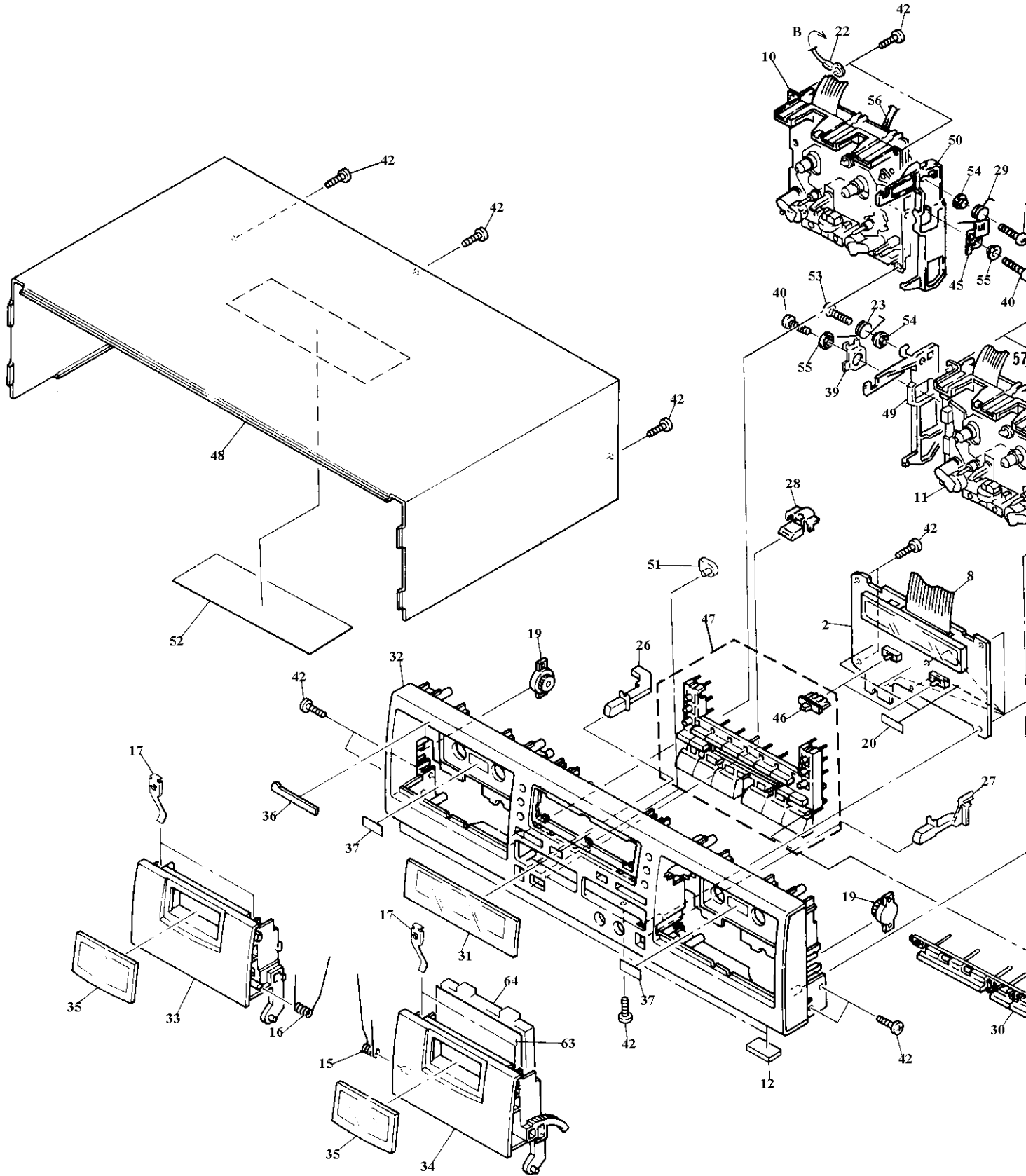


**SCT-55 HIGH-SPEED DUBBING  
CASSETTE DECK CABINET  
SHEET # 1 (140-0674)  
FAXBACK DOC # 10653**



**SCT-55 HIGH-SPEED  
DUBBING CASSETTE DECK  
CABINET SHEET # 2 (140-0674)  
FAXBACK DOC # 10653**

