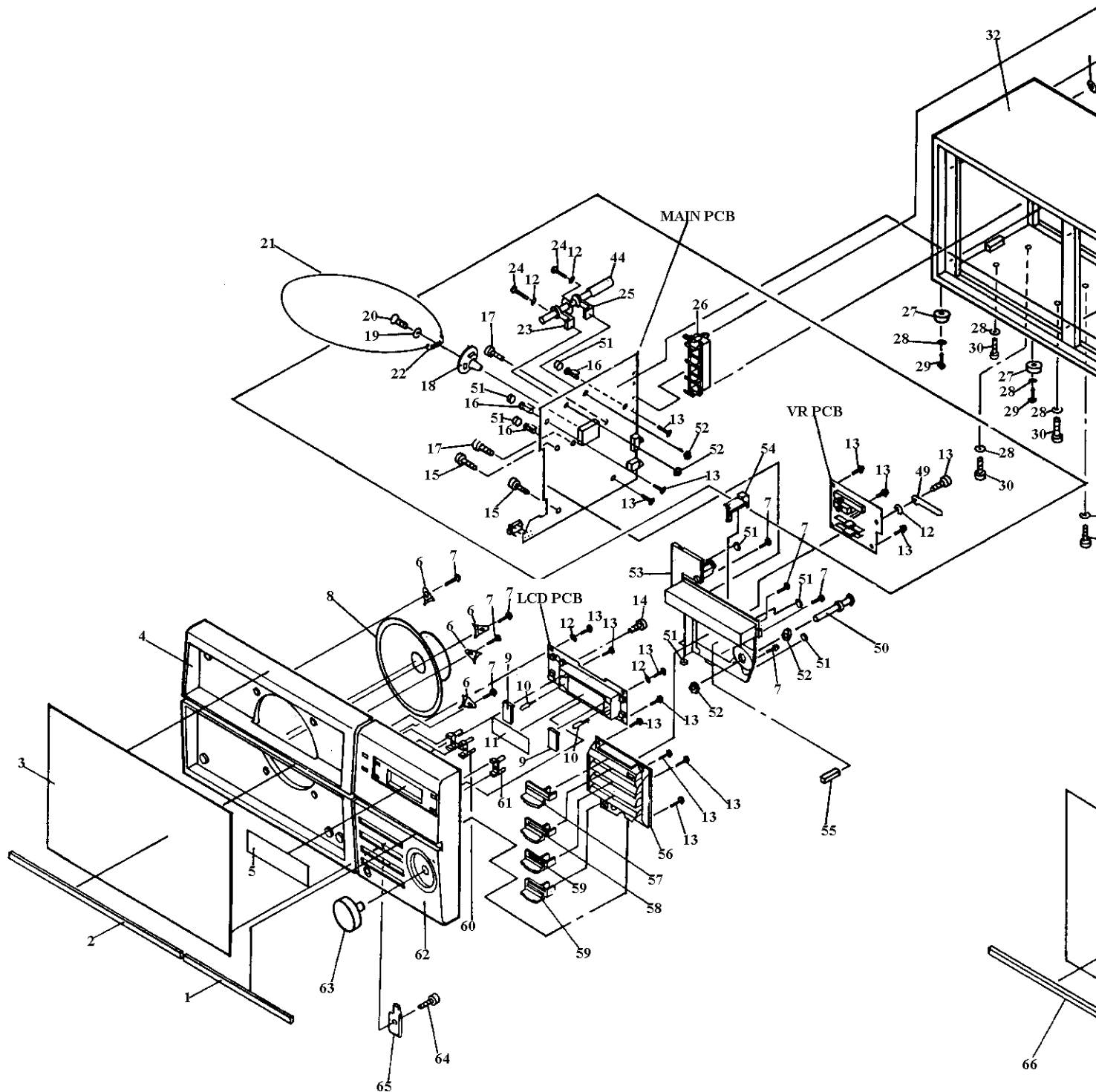


**CHROMATIC-296 AM/FM STEREO
RADIO WITH ALARM CLOCK (12-1596)
SHEET # 1
FAXBACK DOC # 10002**

**CONTINUE
ON SHEET
2**



**CHROMATIC-296 AM/FM STEREO
RADIO WITH ALARM CLOCK (12-1596)
SHEET # 2
FAXBACK DOC # 10002**

**CONTINUE ON
SHEET # 1**

