

The following precautions should be noted before the installation process is begun:

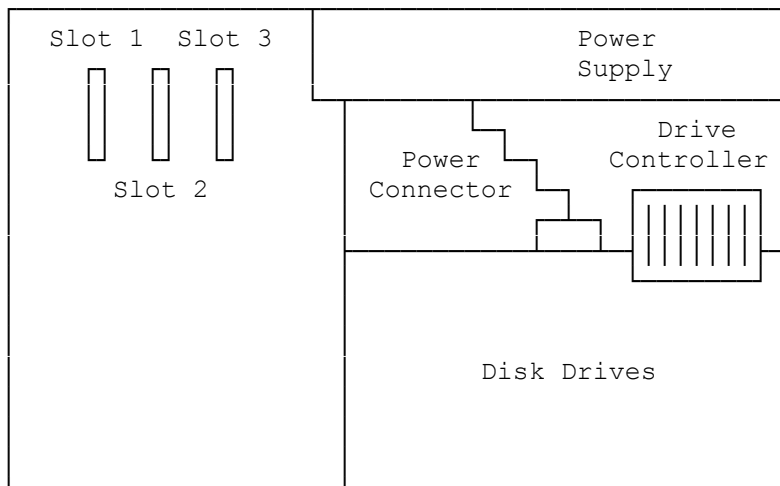
1. All power should be turned off and all cables disconnected
2. The workspace should be clean
3. All diskettes should be removed from the area
4. Each step of the installation process should be followed CAREFULLY
5. These tools will be needed:
 - Phillips screwdriver
 - Metric socket wrench
 - Straight screwdriver
 - Nutholder to hold hexscrew on left side of Drive A

THE TRACKSTAR BOARD

Pages 27 and 28 contain diagrams of the components that are a part of the Trackstar system. These diagrams should be studied carefully before installation begins, and subsequently throughout the installation process. Familiarity with each part will help significantly in installing this board.

THE INSTALLATION PROCESS

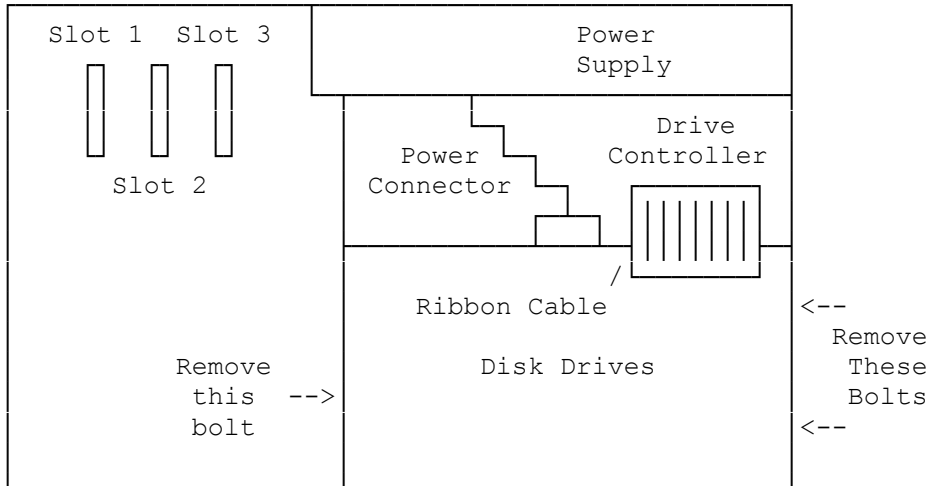
1. Pre-Installation Check
Before beginning these steps, check to see that all power cords are disconnected and all peripheral devices turned off and unplugged.
2. Remove the Tandy 1000 cover. This is attached by two Phillips screws in the front of the case as shown in the diagram (in manual). When the screws have been removed, the cover will then slide forward.
3. Use the following diagram to help identify the various internal features of the Tandy 1000 computer.



4. Remove both Tandy disk drives as follows:
 - a. Unplug the ribbon cable and the power connector.
 - b. Unscrew the three bolts that fasten the disk drives to the disk drive

housing.

- c. Lift the drives free.
- d. The figure below shows the location of the items that must be removed.
- e. Be sure to note which drive is A and which is B.



5. Locate test leads 7 and 8 on each disk drive. Attach the capacitors across these two leads on both disk drives.
6. Replace Disk Drives
 - a. Make sure that drives A and B are both returned to their original positions.
 - b. Reconnect the disk drive cables, as they were originally connected, to both disk drives.
7. Disconnect the disk drive cable from the disk controller. This is located on the motherboard.
8. OPTIONAL STEP to allow for the installation of an Apple external drive.

Thread the cable which is connected to the Apple drive from the outside to the inside of the Tandy 1000 through the parallel printer port at the rear of the computer. The cable runs between the motherboard and the underside of the power supply housing.
9. Select the video cable that matches the chosen monitor as follows:

Color Monitor	RGB Video Cable with 8 pin molex connector
Monochrome Monitor	Composite Video Cable with 4 pin molex connector
10. Select the slot into which the Trackstar board will be mounted. Slot three is the preferred location for this board. Remove the empty slot bracket and feed the molex connector through the opening of the expansion slot. This is located at the rear of the Tandy 1000.

(DTC/jlc-03/28/94)