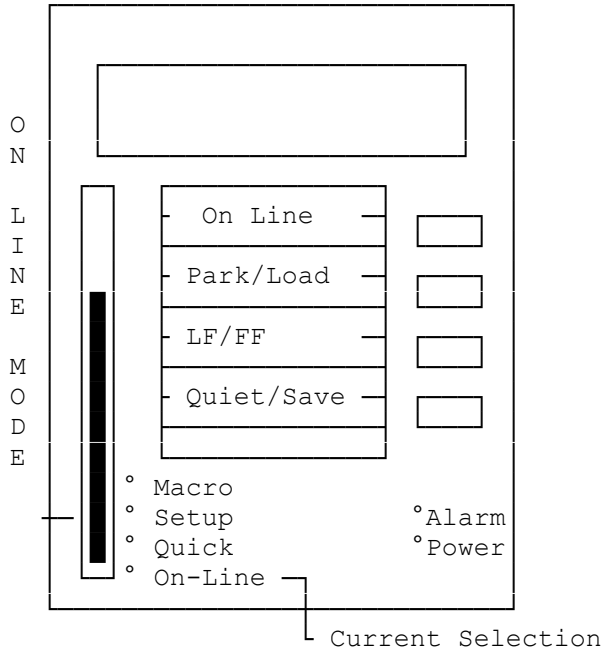


Shown below is the On Line Mode control panel switches:



On Line Mode Switches:

On/Off Line Switch - used to put the printer on line and off line.

Park/Load Switch - used to perform three printer functions, Adjusting Top of Form, Perforation Tear Off, and Paper Parking.

Faxback Document # 4227 will provide specific details on Adjusting the Top of Form.

Faxback Document # 4226 will provide specific details on Perforation Tear Off.

Faxback Document # 4229 will provide specific details on Paper Parking.

LF/FF - used to advance the paper one line at a time. Pressing and holding the LF/FF button will perform a form feed.

Quiet/Save - used to place the printer in quiet mode. Printing speed decreases because the printer prints one line in two passes.