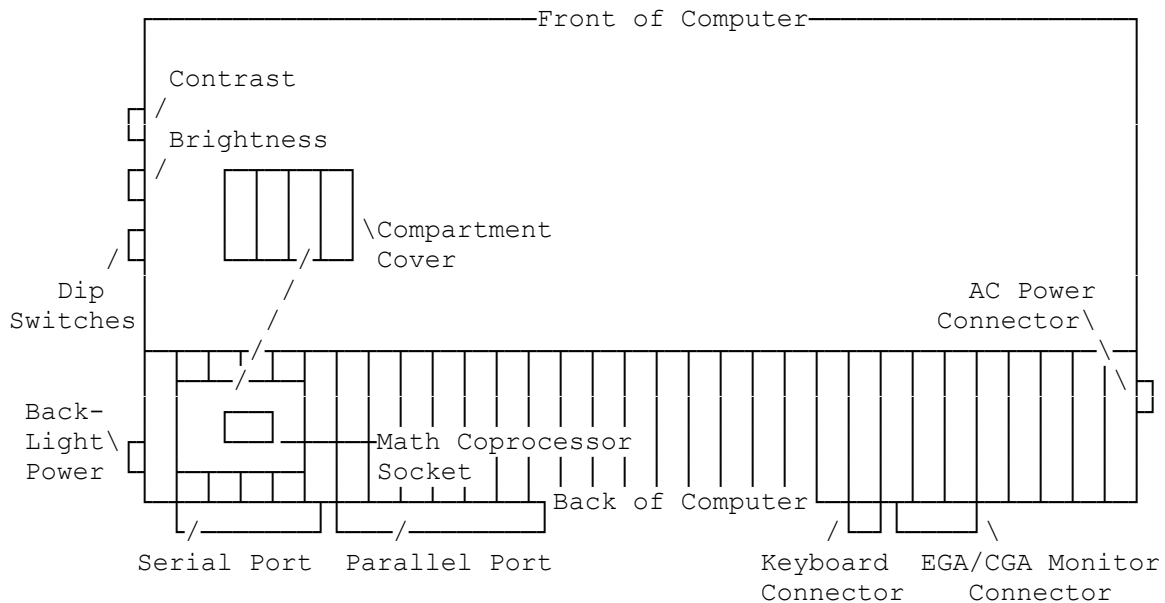


The math coprocessor for the 2800HD is available from Intel. The chip I.D. number is N80c287XLT. The customer can call Intel at 1-800-538-3373 and with a touch tone phone, select product information (#2), then select End User Information (#2). The representatives can give the name of a local dealer where the customer can obtain the coprocessor.

Installation:

1. Turn off the computer and unplug the adapter and all peripheral devices.
2. Remove the battery compartment lid.
3. Disconnect and remove the battery from the computer.
4. Pull back the flap that covers the math coprocessor.
5. Orient the math coprocessor as shown in the following illustration.



CAUTION: Once the math coprocessor has been snapped into place, a special chip extraction tool is required to remove it. Be sure that the coprocessor's orientation is correct.

6. Press the math coprocessor evenly until it snaps into place.
7. Replace the battery and the lid.
8. Reconnect the peripheral devices.

(jej-05/10/94)