

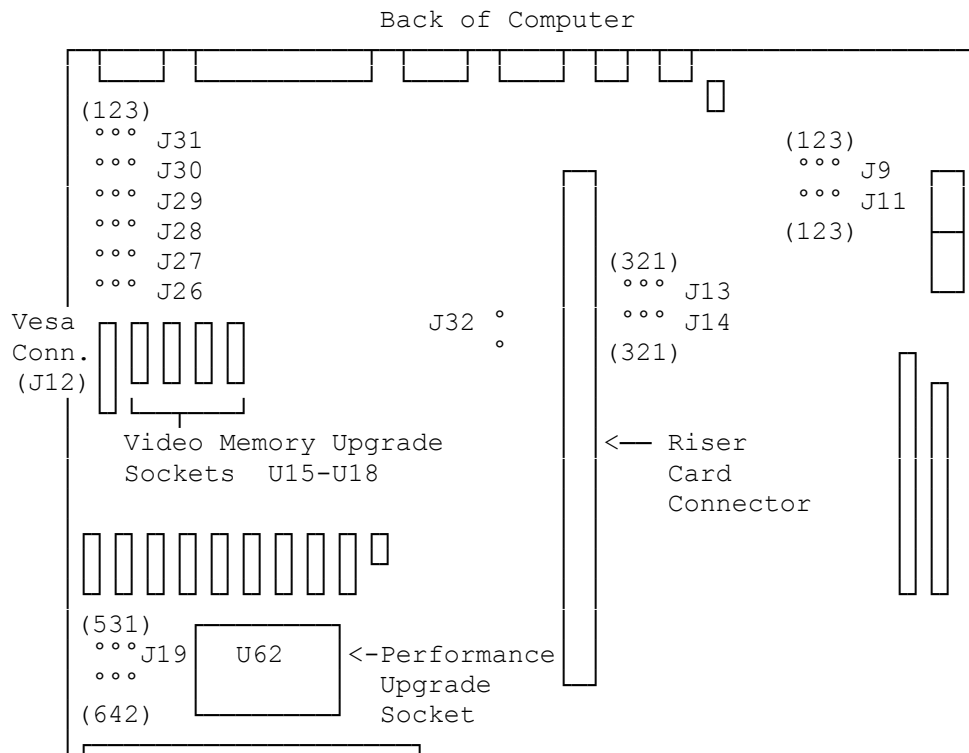
512K Video Ram Upgrade Kit AX259-7240

NOTE: The memory kit is available from national Parts.

The computer is shipped with 512KB of video memory. Some VGA modes require 1MB of video memory. To install additional video memory, install four 256KB x 4, 60 ns or faster, fast page-mode DRAMs. Before you begin, carefully read the following steps and the video memory kit instructions. To install DRAMs:

1. Turn off the computer, and disconnect all cables.
2. Discharge any accumulated static electricity from your body by touching a grounded metal object. Then, open the computer.
3. Remove any expansion adapters installed in the three-slot expansion area by removing the expansion slot screws, disconnecting any data cables, and gently moving each adapter cables, and gently moving each adapter back and forth while pulling it out of the riser card connector.
4. Insert a DRAM in each video memory socket on the main logic board. Align the notch on each DRAM with the notch on the socket. Being careful not to bend the pins, press down on the DRAM until it is fully inserted.
5. Reinstall any expansion adapters you removed.
6. Be sure the internal cables are securely connected and do not cause mechanical interference. Then, close the computer.
7. Reconnect all cables.

Main Logic Board Layout:



°° J20

(smc-09/13/93)