

1. Use the MS-DOS copy command to copy temmLx.sys to your hard disk.
2. Add a device command to your config.sys file:

```
device=\path\temmLx.sys
```

In order to understand the function of this driver, you need to know the definitions of shadow RAM, expanded memory, and extended memory.

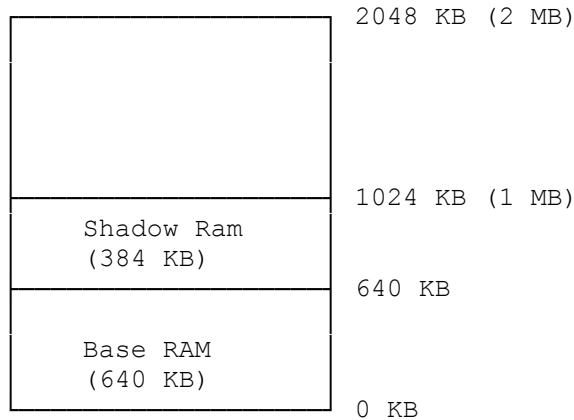
SHADOW RAM

Your computer is equipped with 2MB (2048KB) of RAM (random access memory) on a 32-bit memory expansion adapter. By adding a second 32-bit memory expansion adapter and filling both adapters with 1MB SIMMs, you can configure the system with as much as 16MB of RAM.

The first 640KB of RAM in any system is called base RAM. Base RAM is reserved for your operating system and applications. Memory from 640KB to 1024KB (a total of 384KB) is called shadow RAM. Your system BIOS (Basic

Input-Output System) uses a portion of shadow RAM. Video adapter BIOS and SCSI BIOS (if applicable to your computer) might also use shadow RAM.

The following diagram illustrates base RAM and shadow RAM in a 2MB memory configuration:

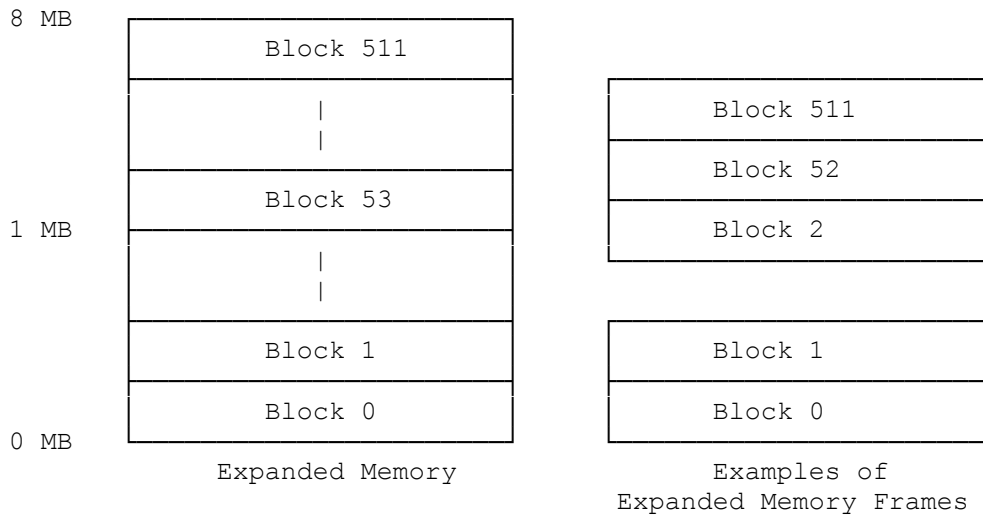


Base RAM and Shadow RAM

EXPANDED MEMORY

Early microprocessors were not equipped to recognize memory address beyond 1MB (1024KB) of memory. When additional memory was required, systems based on such processors relied on expanded memory. Expanded memory was stored on a separate adapter, and it used a different addressing protocol from base and shadow RAM. Expanded memory was accessed in blocks of memory called pages. A group of pages is called a frame. The pages in a frame are not necessarily adjacent in the available supply of physical expanded memory.

The following diagram shows two examples of valid frames. One includes sequential pages; the other does not.

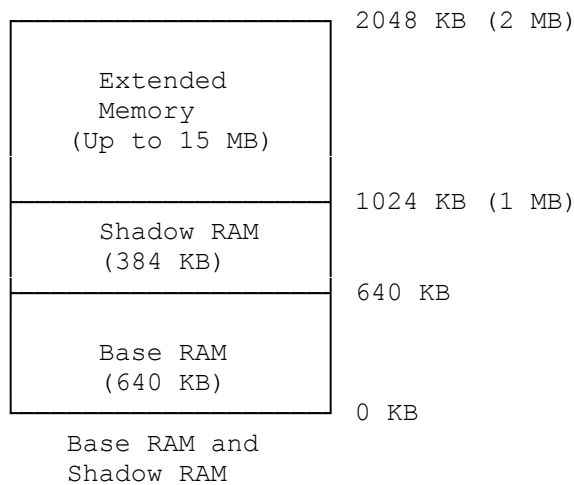


EXTENDED MEMORY

Current microprocessor technology supports memory beyond 1MB, so expanded memory is no longer required. Instead, current technology uses extended memory, defined as all memory (RAM) beyond the 1MB boundary, to emulate expanded memory.

To emulate expanded memory, the processor copies a frame of extended memory into a segment of RAM between 640KB and 1024KB. The beginning of the RAM segment is called the frame address. Since RAM from 640KB to 1024KB is within the 1MB boundary, it is accessible to the processor.

The following diagram shows base RAM, shadow RAM, and extended memory:



USING TEMMLX

You can install up to 16MB of memory on the main logic board in your computer. All memory above 1MB is extended memory.

TEMLX.SYS uses all extended memory, plus any show RAM not allocated for other purposes, to emulate expanded memory as defined in the LIM

(Lotus/Intel/Microsoft) 4.0 memory specification.

Temmlx does not use any memory that is not on the 32-bit memory adapters in your computer.

To use Temmlx:

1. If you have not already done so, copy `temmlx.sys` from the utilities diskette to your hard disk. To do this, insert the Utilities Diskette into Drive A and type the following command at the MS-DOS system prompt (A> or C>):

```
copy a:temmlx.sys c:
```

Then, press ENTER.

2. Add a device command for Temmlx to your `config.sys` file. The format for the Temmlx device command is:

```
device=temmlx.sys [/s] [xxxx] [ly] [Mz]
```

The following table summarizes the Temmlx device command parameters.

Switch	Function																																			
/s	Enables the software to access shadow RAM.																																			
xxxxx	Specifies the Amount of expanded memory (in kilobytes) to be emulated. Use a value from 304 to 8192 if you are using /s or 16 to 8192 if you are not using /s. Use a value that is a multiple of 16. The default value is 304KB with /s or 1024KB without /s.																																			
Iy	Identifies the I./O port addresses emulated by <code>temmlx.sys</code> . If one or more options in your computer access port addresses that conflict with the addresses emulated by <code>temmlx.sys</code> , use the following chart to select address that can be emulated without conflict. The default y value is 5.																																			
y	Port Addresses Used (Hex) <table><tr><td>0</td><td>208</td><td>4208</td><td>8208</td><td>C208</td></tr><tr><td>1</td><td>218</td><td>4218</td><td>8218</td><td>C218</td></tr><tr><td>5</td><td>258</td><td>4258</td><td>8258</td><td>C258</td></tr><tr><td>6</td><td>268</td><td>4268</td><td>8268</td><td>C268</td></tr><tr><td>10</td><td>2A8</td><td>42A8</td><td>82A8</td><td>C2A8</td></tr><tr><td>11</td><td>2B8</td><td>42B8</td><td>82B8</td><td>C2B8</td></tr><tr><td>14</td><td>2E8</td><td>42E8</td><td>82E8</td><td>C2E8</td></tr></table>	0	208	4208	8208	C208	1	218	4218	8218	C218	5	258	4258	8258	C258	6	268	4268	8268	C268	10	2A8	42A8	82A8	C2A8	11	2B8	42B8	82B8	C2B8	14	2E8	42E8	82E8	C2E8
0	208	4208	8208	C208																																
1	218	4218	8218	C218																																
5	258	4258	8258	C258																																
6	268	4268	8268	C268																																
10	2A8	42A8	82A8	C2A8																																
11	2B8	42B8	82B8	C2B8																																
14	2E8	42E8	82E8	C2E8																																
Mz	Frame Address (Hex) <table><tr><td>0</td><td>C400 - D400</td></tr><tr><td>1</td><td>C800 - D800</td></tr><tr><td>2</td><td>CC00 - DC00</td></tr><tr><td>3</td><td>D000 - E000</td></tr><tr><td>4</td><td>D400 - E400</td></tr><tr><td>5</td><td>D800 - E800</td></tr><tr><td>6</td><td>DC00 - EC00</td></tr></table>	0	C400 - D400	1	C800 - D800	2	CC00 - DC00	3	D000 - E000	4	D400 - E400	5	D800 - E800	6	DC00 - EC00																					
0	C400 - D400																																			
1	C800 - D800																																			
2	CC00 - DC00																																			
3	D000 - E000																																			
4	D400 - E400																																			
5	D800 - E800																																			
6	DC00 - EC00																																			

## NOTES:

- \* Do not use TemmLx.sys with software that uses the advanced features of the 80386 processor.
- \* If you want to use expanded memory with other device drivers, the temmLx.sys device command must be the first device command in your config.sys.
- \* Do not use a frame address that overlaps addresses used by the hardware.