

TMS416409A, TMS417409A, TMS426409A, TMS427409A 4194304 BY 4-BIT EXTENDED DATA OUT DYNAMIC RANDOM-ACCESS MEMORIES

SMKS893B – AUGUST 1996 – REVISED APRIL 1997

This data sheet is applicable to all TMS41x409As and TMS42x409As symbolized by Revision "B", Revision "E", and subsequent revisions as described in the device symbolization section.

- **Organization . . . 4194304 × 4**
- **Single Power Supply (5 V or 3.3 V)**
- **Performance Ranges:**

	ACCESS TIME	ACCESS TIME	ACCESS TIME	EDO CYCLE
	t _{RAC} MAX	t _{CAC} MAX	t _{AA} MAX	t _{HPC} MIN
'41x409A-50	50 ns	13 ns	25 ns	20 ns
'41x409A-60	60 ns	15 ns	30 ns	25 ns
'41x409A-70	70 ns	18 ns	35 ns	30 ns
'42x409A-50	50 ns	13 ns	25 ns	20 ns
'42x409A-60	60 ns	15 ns	30 ns	25 ns
'42x409A-70	70 ns	18 ns	35 ns	30 ns

- **Extended-Data-Out (EDO) Operation**
- **CAS-Before-RAS (CBR) Refresh**
- **Low Power Dissipation**
- **3-State Unlatched Output**
- **High-Reliability Plastic 24/26-Lead
300-Mil-Wide Surface-Mount Small-Outline
J-Lead (SOJ) Package (DJ Suffix) and
24/26-Lead 300-Mil-Wide Surface-Mount
Thin Small-Outline Package (TSOP)
(DGA Suffix)**
- **Operating Free-Air Temperature Range
0°C to 70°C**

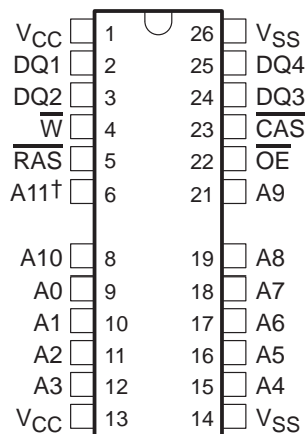
description

The TMS41x409A and TMS42x409A series are 16777216-bit dynamic random-access memory (DRAM) devices organized as 4194304 words of four bits each.

These devices feature maximum $\overline{\text{RAS}}$ access times of 50, 60, and 70 ns. All address and data-in lines are latched on chip to simplify system design. Data out is unlatched to allow greater system flexibility.

The TMS416409A and TMS417409A are offered in a 24/26-lead plastic surface-mount SOJ package (DJ suffix). The TMS426409A and TMS427409A are offered in a 24/26-lead plastic surface-mount SOJ package (DJ suffix) and a 24/26-lead plastic surface-mount TSOP (DGA suffix). These packages are designed for operation from 0°C to 70°C.

DJ/DGA PACKAGES (TOP VIEW)



PIN NOMENCLATURE	
A0–A11†	Address Inputs
DQ1–DQ4	Data In/Data Out
$\overline{\text{CAS}}$	Column-Address Strobe
NC	No Internal Connection
$\overline{\text{OE}}$	Output Enable
$\overline{\text{RAS}}$	Row-Address Strobe
V _{CC}	5-V or 3.3-V Supply‡
V _{SS}	Ground
$\overline{\text{W}}$	Write Enable

† A11 is NC for TMS417409A and TMS427409A.

‡ See Available Options Table

AVAILABLE OPTIONS

DEVICE	POWER SUPPLY	SELF REFRESH, BATTERY BACKUP	REFRESH CYCLES
TMS416409A	5 V	–	4096 in 64 ms
TMS417409A	5 V	–	2048 in 32 ms
TMS426409A	3.3 V	–	4096 in 64 ms
TMS427409A	3.3 V	–	2048 in 32 ms



Please be aware that an important notice concerning availability, standard warranty, and use in critical applications of Texas Instruments semiconductor products and disclaimers thereto appears at the end of this data sheet.

PRODUCTION DATA information is current as of publication date. Products conform to specifications per the terms of Texas Instruments standard warranty. Production processing does not necessarily include testing of all parameters.

 **TEXAS
INSTRUMENTS**

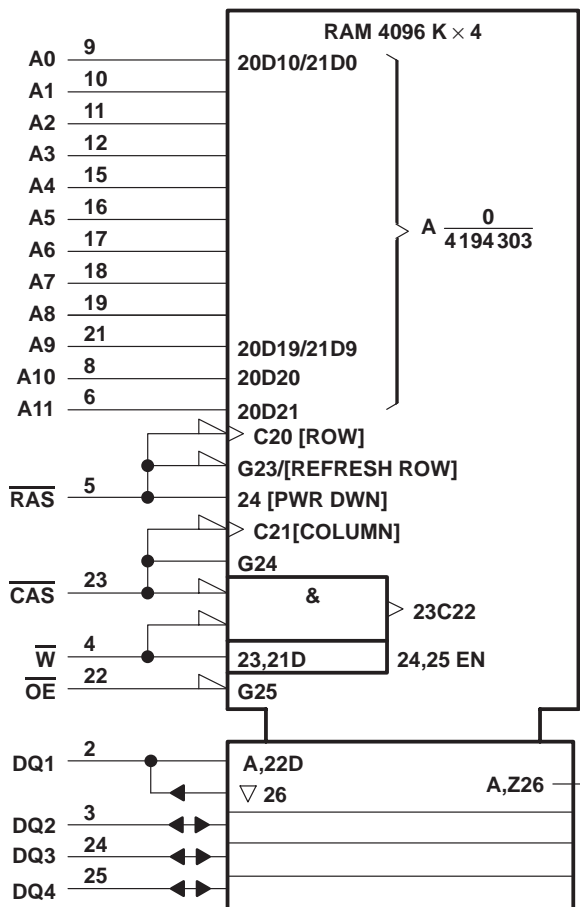
POST OFFICE BOX 1443 • HOUSTON, TEXAS 77251-1443

Copyright © 1997, Texas Instruments Incorporated

TMS416409A, TMS417409A, TMS426409A, TMS427409A
 4194304 BY 4-BIT EXTENDED DATA OUT
 DYNAMIC RANDOM-ACCESS MEMORIES

SMKS893B – AUGUST 1996 – REVISED APRIL 1997

logic symbol (TMS416409A and TMS426409A)†

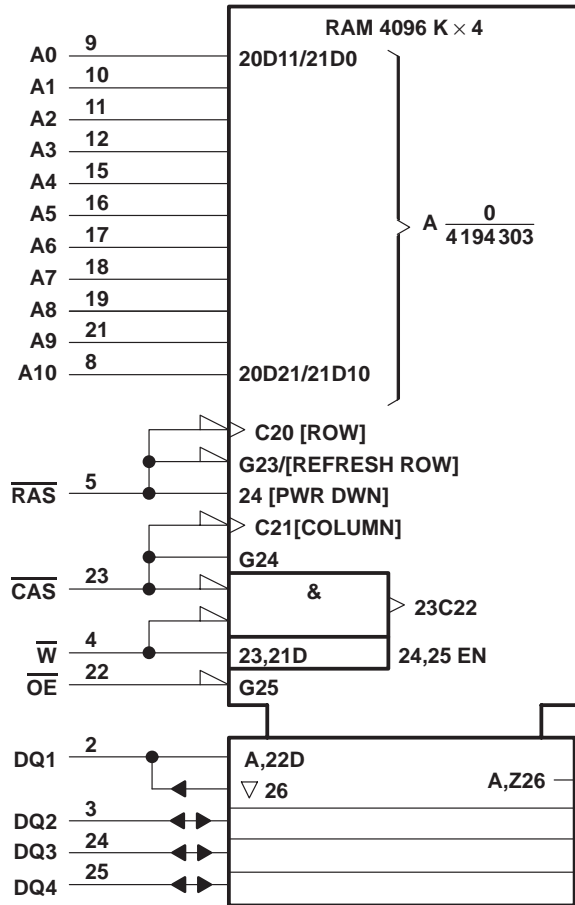


† This symbol is in accordance with ANSI/IEEE Std 91-1984 and IEC Publication 647-12.

TMS416409A, TMS417409A, TMS426409A, TMS427409A
 4194304 BY 4-BIT EXTENDED DATA OUT
 DYNAMIC RANDOM-ACCESS MEMORIES

SMKS893B – AUGUST 1996 – REVISED APRIL 1997

logic symbol (TMS417409A and TMS427409A)†



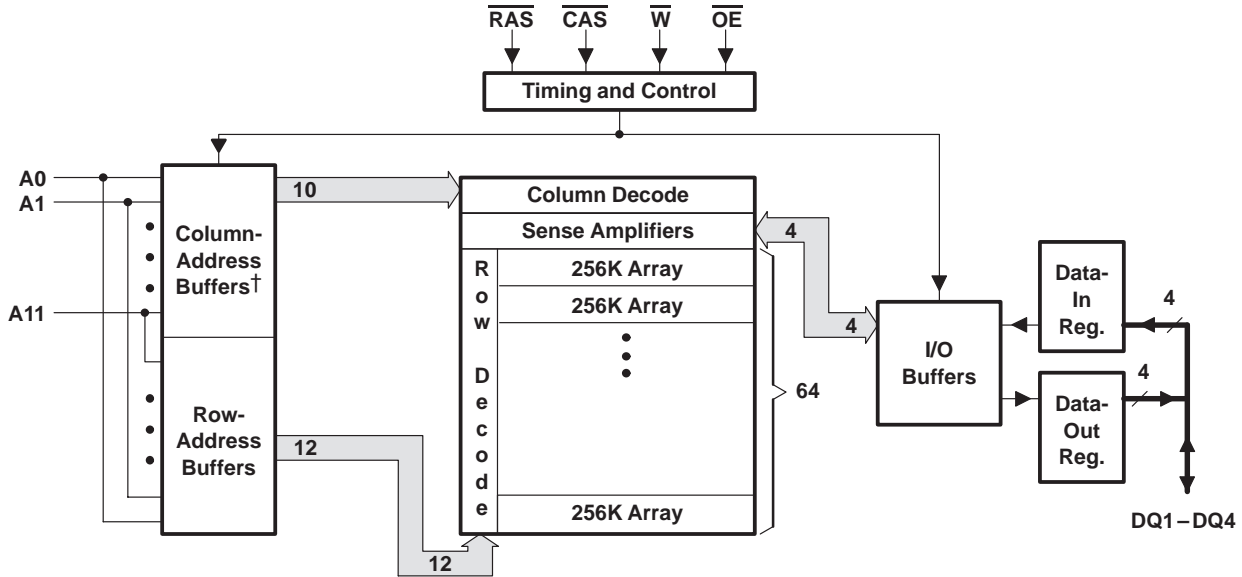
† This symbol is in accordance with ANSI/IEEE Std 91-1984 and IEC Publication 647-12.

TMS416409A, TMS417409A, TMS426409A, TMS427409A
4194304 BY 4-BIT EXTENDED DATA OUT
DYNAMIC RANDOM-ACCESS MEMORIES

SMKS893B – AUGUST 1996 – REVISED APRIL 1997

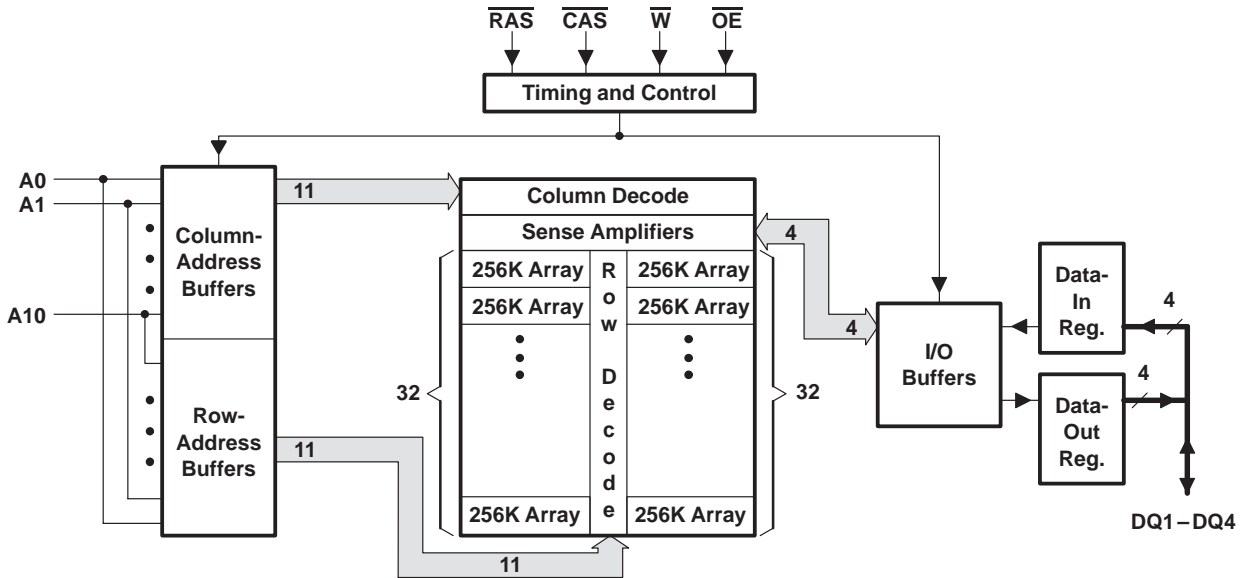
functional block diagram

TMS416409A, TMS426409A



† Column addresses A10 and A11 are not used.

TMS417409A, TMS427409A



operation

extended data out

Extended data out (EDO) allows data output rates of up to 50 MHz for 50-ns devices. When keeping the same row address while selecting random column addresses, the time for row-address setup and hold and for address multiplex is eliminated. The maximum number of columns that can be accessed is determined by t_{RASP} , the maximum RAS low time.

Extended data out does not place the data in/data out pins (DQ pins) into the high-impedance state with the rising edge of \overline{CAS} . The output remains valid for the system to latch the data. After \overline{CAS} goes high, the DRAM decodes the next address. \overline{OE} and \overline{W} can control the output impedance. Descriptions of \overline{OE} and \overline{W} further explain EDO operation benefit.

address: A0–A11 (TMS416409A and TMS426409A) and A0–A10 (TMS417409A and TMS427409A)

Twenty-two address bits are required to decode each of the 4194304 storage cell locations. For the TMS416409A and TMS426409A, 12 row-address bits are set up on A0 through A11 and latched onto the chip by the row-address strobe (\overline{RAS}). Ten column-address bits are set up on A0 through A9. For the TMS417409A and TMS427409A, 11 row-address bits are set up on inputs A0 through A10 and latched onto the chip by \overline{RAS} . Eleven column-address bits are set up on A0 through A10. All addresses must be stable on or before the falling edge of RAS and CAS. \overline{RAS} is similar to a chip enable because it activates the sense amplifiers as well as the row decoder. \overline{CAS} is used as a chip select, activating the output buffers and latching the address bits into the column-address buffers.

output enable (\overline{OE})

\overline{OE} controls the impedance of the output buffers. While \overline{CAS} and \overline{RAS} are low and \overline{W} is high, \overline{OE} can be brought low or high and the DQs transition between valid data and high impedance (see Figure 8). There are two methods for placing the DQs into the high-impedance state and maintaining that state during \overline{CAS} high time. The first method is to transition \overline{OE} high before CAS transitions high and keep \overline{OE} high for t_{CHO} (hold time, \overline{OE} from \overline{CAS}) past the \overline{CAS} transition. This disables the DQs and they remain disabled, regardless of \overline{OE} , until \overline{CAS} falls again. The second method is to have \overline{OE} low as \overline{CAS} transitions high. Then \overline{OE} can pulse high for a minimum of t_{OEP} (precharge time, \overline{OE}) anytime during \overline{CAS} high time, disabling the DQs regardless of further transitions on \overline{OE} until CAS falls again (see Figure 8).

write enable (\overline{W})

The read or write mode is selected through \overline{W} . A logic high on \overline{W} selects the read mode, and a logic low selects the write mode. The data inputs are disabled when the read mode is selected. When \overline{W} goes low prior to \overline{CAS} (early write), data out remains in the high-impedance state for the entire cycle, permitting a write operation with \overline{OE} grounded. If \overline{W} goes low in an extended-data-out read cycle, the DQs are disabled so long as CAS is high (see Figure 9).

data in/data out (DQ1–DQ4)

Data is written during a write or read-modify-write cycle. Depending on the mode of operation, the later falling edge of CAS or \overline{W} strobes data into the on-chip data latch with setup and hold times referenced to the later edge. The DQs drive valid data after all access times are met and remain valid except in cases described in the \overline{W} and \overline{OE} sections.

TMS416409A, TMS417409A, TMS426409A, TMS427409A

4194304 BY 4-BIT EXTENDED DATA OUT

DYNAMIC RANDOM-ACCESS MEMORIES

SMKS893B – AUGUST 1996 – REVISED APRIL 1997

$\overline{\text{RAS}}$ -only refresh

TMS416409A, TMS426409A

A refresh operation must be performed at least once every 64 ms to retain data. This can be achieved by strobing each of the 4096 rows (A0–A11). A normal read or write cycle refreshes all bits in each row that is selected. A $\overline{\text{RAS}}$ -only operation can be used by holding $\overline{\text{CAS}}$ at the high (inactive) level, conserving power as the output buffers remain in the high-impedance state. Externally generated addresses must be used for a $\overline{\text{RAS}}$ -only refresh.

TMS417409A, TMS427409A

A refresh operation must be performed at least once every 32 ms to retain data. This can be achieved by strobing each of the 2048 rows (A0–A10). A normal read or write cycle refreshes all bits in each row that is selected. A $\overline{\text{RAS}}$ -only operation can be used by holding $\overline{\text{CAS}}$ at the high (inactive) level, conserving power as the output buffers remain in the high-impedance state. Externally generated addresses must be used for a $\overline{\text{RAS}}$ -only refresh.

hidden refresh

A hidden refresh can be performed while maintaining valid data at the output pin. This is accomplished by holding $\overline{\text{CAS}}$ at V_{IL} after a read operation and cycling $\overline{\text{RAS}}$ after a specified precharge period, similar to a $\overline{\text{RAS}}$ -only refresh cycle. The external address is ignored, and the refresh address is generated internally.

$\overline{\text{CAS}}$ -before- $\overline{\text{RAS}}$ (CBR) refresh

CBR refresh is performed by bringing $\overline{\text{CAS}}$ low earlier than $\overline{\text{RAS}}$ (see parameter t_{CSR}) and holding it low after $\overline{\text{RAS}}$ falls (see parameter t_{CHR}). For successive CBR refresh cycles, $\overline{\text{CAS}}$ can remain low while cycling $\overline{\text{RAS}}$. The external address is ignored, and the refresh address is generated internally.

power up

To achieve proper device operation, an initial pause of 200 μs followed by a minimum of eight initialization cycles is required after power up to the full V_{CC} level. These eight initialization cycles must include at least one refresh ($\overline{\text{RAS}}$ -only or CBR) cycle.

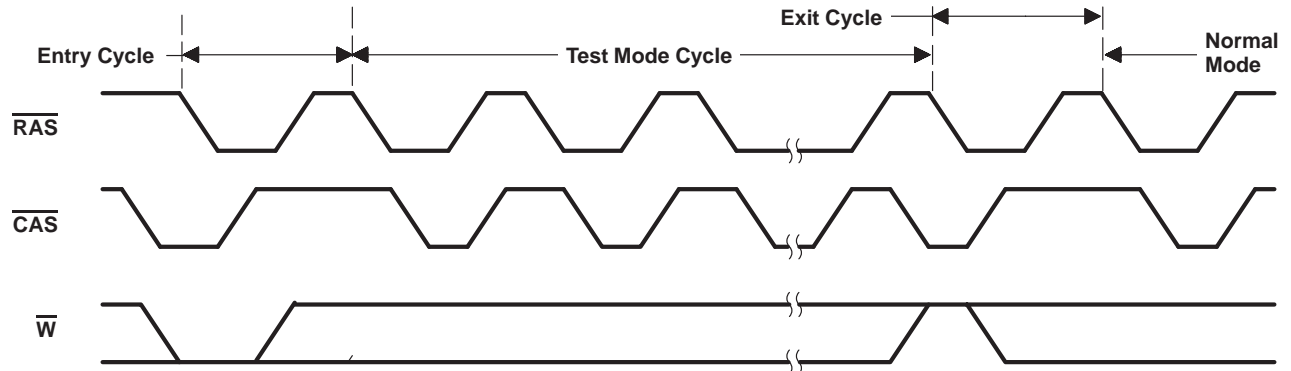
test mode

The test mode (see Figure 1) is initiated with a CBR-refresh cycle while simultaneously holding the $\overline{\text{W}}$ input low. The entry cycle performs an internal refresh cycle while internally setting the device to perform parallel read or write on subsequent cycles. While in the test mode, any data sequence can be performed. The device exits test mode if a CBR refresh cycle with $\overline{\text{W}}$ held high or a $\overline{\text{RAS}}$ -only refresh cycle is performed.

In the test mode, the device is configured as 1024K bits \times 4 bits for each DQ. Each DQ pin has a separate 4-bit parallel read and write data bus that ignores column addresses A0 and A1. During a read cycle, the four internal bits are compared for each DQ pin. If the four bits agree, DQ goes high; if not, DQ goes low. Test time is reduced by a factor of four for this series.



test mode (continued)



NOTE A: The states of $\overline{\text{W}}$, data in, and address are defined by the type of cycle used during test mode.

Figure 1. Test-Mode Cycle

TMS416409A, TMS417409A, TMS426409A, TMS427409A
4194304 BY 4-BIT EXTENDED DATA OUT
DYNAMIC RANDOM-ACCESS MEMORIES

SMKS893B – AUGUST 1996 – REVISED APRIL 1997

absolute maximum ratings over operating free-air temperature range (unless otherwise noted)†

Supply voltage range, V_{CC} (TMS41x409A)	– 1 V to 7 V
Supply voltage range, V_{CC} (TMS42x409A)	– 0.5 V to 4.6 V
Voltage range on any pin (TMS41x409A) (see Note 1)	– 1 V to 7 V
Voltage range on any pin (TMS42x409A) (see Note 1)	– 0.5 V to 4.6 V
Short-circuit output current	50 mA
Power dissipation	1 W
Operating free-air temperature range, T_A	0°C to 70°C
Storage temperature range, T_{stg}	– 55°C to 125°C

† Stresses beyond those listed under “absolute maximum ratings” may cause permanent damage to the device. These are stress ratings only, and functional operation of the device at these or any other conditions beyond those indicated under “recommended operating conditions” is not implied. Exposure to absolute-maximum-rated conditions for extended periods may affect device reliability.

NOTE 1: All voltage values are with respect to V_{SS} .

recommended operating conditions

	TMS41x409A			TMS42x409A			UNIT
	MIN	NOM	MAX	MIN	NOM	MAX	
V_{CC} Supply voltage	4.5	5	5.5	3	3.3	3.6	V
V_{SS} Supply voltage	0			0			V
V_{IH} High-level input voltage	2.4		6.5	2		$V_{CC} + 0.3$	V
V_{IL} Low-level input voltage (see Note 2)	– 1		0.8	– 0.3		0.8	V
T_A Operating free-air temperature	0		70	0		70	°C

NOTE 2: The algebraic convention, where the more negative (less positive) limit is designated as minimum, is used for logic-voltage levels only.



TMS416409A, TMS417409A, TMS426409A, TMS427409A
4194304 BY 4-BIT EXTENDED DATA OUT
DYNAMIC RANDOM-ACCESS MEMORIES

SMKS893B – AUGUST 1996 – REVISED APRIL 1997

electrical characteristics over recommended ranges of supply voltage and operating free-air temperature (unless otherwise noted)

TMS416409A

PARAMETER	TEST CONDITIONS†	'416409A-50		'416409A-60		'416409A-70		UNIT
		MIN	MAX	MIN	MAX	MIN	MAX	
V _{OH}	High-level output voltage I _{OH} = -5 mA	2.4		2.4		2.4		V
V _{OL}	Low-level output voltage I _{OL} = 4.2 mA		0.4		0.4		0.4	V
I _I	Input current (leakage) V _{CC} = 5.5 V, V _I = 0 V to 6.5 V, All others = 0 V to V _{CC}		± 10		± 10		± 10	µA
I _O	Output current (leakage) V _{CC} = 5.5 V, V _O = 0 V to V _{CC} , CAS high		± 10		± 10		± 10	µA
I _{CC1} ‡§	Average read- or write-cycle current V _{CC} = 5.5 V, Minimum cycle		100		80		70	mA
I _{CC2}	Average standby current V _{IH} = 2.4 V (TTL), After one memory cycle, RAS and CAS high		2		2		2	mA
		V _{IH} = V _{CC} - 0.2 V (CMOS), After one memory cycle, RAS and CAS high		1		1		1
I _{CC3} ‡§	Average refresh current (RAS-only refresh or CBR) V _{CC} = 5.5 V, Minimum cycle, RAS cycling, CAS high (RAS only), RAS low after CAS low (CBR)		100		80		70	mA
I _{CC4} ‡¶	Average EDO current V _{CC} = 5.5 V, t _{HPC} = MIN, RAS low, CAS cycling		100		90		80	mA

† For conditions shown as MIN/MAX, use the appropriate value specified in the timing requirements.

‡ Measured with outputs open

§ Measured with a maximum of one address change while $\overline{\text{RAS}} = V_{IL}$

¶ Measured with a maximum of one address change during each EDO cycle, t_{HPC}

TMS416409A, TMS417409A, TMS426409A, TMS427409A
4194304 BY 4-BIT EXTENDED DATA OUT
DYNAMIC RANDOM-ACCESS MEMORIES

SMKS893B – AUGUST 1996 – REVISED APRIL 1997

electrical characteristics over recommended ranges of supply voltage and operating free-air temperature (unless otherwise noted) (continued)

TMS417409A

PARAMETER	TEST CONDITIONS†	'417409A-50		'417409A-60		'417409A-70		UNIT
		MIN	MAX	MIN	MAX	MIN	MAX	
V _{OH}	High-level output voltage I _{OH} = -5 mA	2.4		2.4		2.4		V
V _{OL}	Low-level output voltage I _{OL} = 4.2 mA		0.4		0.4		0.4	V
I _I	Input current (leakage) V _{CC} = 5.5 V, V _I = 0 V to 6.5 V, All others = 0 V to V _{CC}		± 10		± 10		± 10	µA
I _O	Output current (leakage) V _{CC} = 5.5 V, V _O = 0 V to V _{CC} , CAS high		± 10		± 10		± 10	µA
I _{CC1} ‡§	Average read- or write-cycle current V _{CC} = 5.5 V, Minimum cycle		130		110		100	mA
I _{CC2}	Average standby current V _{IH} = 2.4 V (TTL), After one memory cycle, RAS and CAS high		2		2		2	mA
		V _{IH} = V _{CC} - 0.2 V (CMOS), After one memory cycle, RAS and CAS high		1		1		1
I _{CC3} ‡§	Average refresh current (RAS-only refresh or CBR) V _{CC} = 5.5 V, Minimum cycle, RAS cycling, CAS high (RAS only), RAS low after CAS low (CBR)		130		110		100	mA
I _{CC4} ‡¶	Average EDO current V _{CC} = 5.5 V, t _{HPC} = MIN, RAS low, CAS cycling		110		90		80	mA

† For conditions shown as MIN/MAX, use the appropriate value specified in the timing requirements.

‡ Measured with outputs open

§ Measured with a maximum of one address change while $\overline{\text{RAS}} = V_{IL}$

¶ Measured with a maximum of one address change during each EDO cycle, t_{HPC}



TMS416409A, TMS417409A, TMS426409A, TMS427409A
4194304 BY 4-BIT EXTENDED DATA OUT
DYNAMIC RANDOM-ACCESS MEMORIES

SMKS893B – AUGUST 1996 – REVISED APRIL 1997

electrical characteristics over recommended ranges of supply voltage and operating free-air temperature (unless otherwise noted) (continued)

TMS426409A

PARAMETER	TEST CONDITIONST	'426409A-50		'426409A-60		'426409A-70		UNIT
		MIN	MAX	MIN	MAX	MIN	MAX	
VOH High-level output voltage	I _{OH} = -2 mA	LVTTTL		2.4		2.4		V
	I _{OH} = -100 μA	LVCMOS		V _{CC} -0.2		V _{CC} -0.2		
VOL Low-level output voltage	I _{OL} = 2 mA	LVTTTL		0.4		0.4		V
	I _{OL} = 100 μA	LVCMOS		0.2		0.2		
I _I Input current (leakage)	V _{CC} = 3.6 V, V _I = 0 V to 3.9 V, All others = 0 V to V _{CC}	± 10		± 10		± 10		μA
I _O Output current (leakage)	V _{CC} = 3.6 V, V _O = 0 V to V _{CC} , CAS high	± 10		± 10		± 10		μA
I _{CC1} †§ Average read- or write- cycle current	V _{CC} = 3.6 V, Minimum cycle	90		70		60		mA
I _{CC2} Average standby current	V _{IH} = 2 V (LVTTTL) After one memory cycle, $\overline{\text{RAS}}$ and $\overline{\text{CAS}}$ high	2		2		2		mA
	V _{IH} = V _{CC} - 0.2 V (LVCMOS), After one memory cycle, $\overline{\text{RAS}}$ and $\overline{\text{CAS}}$ high	1		1		1		mA
I _{CC3} †§ Average refresh current (RAS-only refresh or CBR)	V _{CC} = 3.6 V, Minimum cycle, $\overline{\text{RAS}}$ cycling, $\overline{\text{CAS}}$ high (RAS-only refresh), $\overline{\text{RAS}}$ low after $\overline{\text{CAS}}$ low (CBR)	90		70		60		mA
I _{CC4} †¶ Average EDO current	V _{CC} = 3.6 V, t_{HPC} = MIN, $\overline{\text{RAS}}$ low, $\overline{\text{CAS}}$ cycling	100		90		80		mA

† For conditions shown as MIN/MAX, use the appropriate value specified in the timing requirements.

‡ Measured with outputs open

§ Measured with a maximum of one address change while $\overline{\text{RAS}}$ = V_{IL}

¶ Measured with a maximum of one address change during each EDO cycle, t_{HPC}



TMS416409A, TMS417409A, TMS426409A, TMS427409A
4194304 BY 4-BIT EXTENDED DATA OUT
DYNAMIC RANDOM-ACCESS MEMORIES

SMKS893B – AUGUST 1996 – REVISED APRIL 1997

electrical characteristics over recommended ranges of supply voltage and operating free-air temperature (unless otherwise noted) (continued)

TMS427409A

PARAMETER	TEST CONDITIONS†		'427409A - 50		'427409A - 60		'427409A - 70		UNIT
			MIN	MAX	MIN	MAX	MIN	MAX	
V _{OH} High-level output voltage	I _{OH} = -2 mA	LVTTL	2.4		2.4		2.4		V
	I _{OH} = -100 μA	LVC MOS	V _{CC} -0.2		V _{CC} -0.2		V _{CC} -0.2		
V _{OL} Low-level output voltage	I _{OL} = 2 mA	LVTTL	0.4		0.4		0.4		V
	I _{OL} = 100 μA	LVC MOS	0.2		0.2		0.2		
I _I Input current (leakage)	V _{CC} = 3.6 V, V _I = 0 V to 3.9 V, All others = 0 V to V _{CC}		± 10		± 10		± 10		μA
I _O Output current (leakage)	V _{CC} = 3.6 V, V _O = 0 V to V _{CC} , $\overline{\text{CAS}}$ high		± 10		± 10		± 10		μA
I _{CC1} ‡§ Average read- or write- cycle current	V _{CC} = 3.6 V, Minimum cycle		120		100		90		mA
I _{CC2} Average standby current	V _{IH} = 2 V (LVTTL) After one memory cycle, $\overline{\text{RAS}}$ and $\overline{\text{CAS}}$ high		2		2		2		mA
	V _{IH} = V _{CC} - 0.2 V (LVC MOS), After one memory cycle, $\overline{\text{RAS}}$ and $\overline{\text{CAS}}$ high		1		1		1		mA
I _{CC3} ‡§ Average refresh current (RAS-only refresh or CBR)	V _{CC} = 3.6 V, Minimum cycle, $\overline{\text{RAS}}$ cycling, $\overline{\text{CAS}}$ high (RAS-only refresh), RAS low after CAS low (CBR)		120		100		90		mA
I _{CC4} ‡¶ Average EDO current	V _{CC} = 3.6 V, RAS low, t _{HPC} = MIN, CAS cycling		110		90		80		mA

† For conditions shown as MIN/MAX, use the appropriate value specified in the timing requirements.

‡ Measured with outputs open

§ Measured with a maximum of one address change while $\overline{\text{RAS}} = V_{IL}$

¶ Measured with a maximum of one address change during each EDO cycle, t_{HPC}



TMS416409A, TMS417409A, TMS426409A, TMS427409A
4194304 BY 4-BIT EXTENDED DATA OUT
DYNAMIC RANDOM-ACCESS MEMORIES

SMKS893B – AUGUST 1996 – REVISED APRIL 1997

capacitance over recommended ranges of supply voltage and operating free-air temperature, $f = 1$ MHz (see Note 3)

PARAMETER		MIN	MAX	UNIT
$C_{i(A)}$	Input capacitance, A0–A11†		5	pF
$C_{i(OE)}$	Input capacitance, \overline{OE}		7	pF
$C_{i(RC)}$	Input capacitance, \overline{CAS} and \overline{RAS}		7	pF
$C_{i(W)}$	Input capacitance, \overline{W}		7	pF
C_o	Output capacitance‡		7	pF

† A11 is NC (no internal connection) for TMS417409A and TMS427409A.

‡ \overline{CAS} and $\overline{OE} = V_{IH}$ to disable outputs

NOTE 3: $V_{CC} = \text{NOM supply voltage} \pm 10\%$, and the bias on pins under test is 0 V.

switching characteristics over recommended ranges of supply voltage and operating free-air temperature (see Note 4)

PARAMETER	'41x409A-50 '42x409A-50		'41x409A-60 '42x409A-60		'41x409A-70 '42x409A-70		UNIT		
	MIN	MAX	MIN	MAX	MIN	MAX			
t_{AA}	Access time from column address (see Note 5)		25	30	35		ns		
t_{CAC}	Access time from \overline{CAS} (see Note 5)		13	15	18		ns		
t_{CPA}	Access time from \overline{CAS} precharge (see Note 5)		28	35	40		ns		
t_{RAC}	Access time from \overline{RAS} (see Note 5)		50	60	70		ns		
t_{OEA}	Access time from \overline{OE} (see Note 5)		13	15	18		ns		
t_{CLZ}	Delay time, \overline{CAS} to output in low impedance		0	0	0		ns		
t_{REZ}	Output buffer turn off delay from \overline{RAS} (see Note 6)		3	13	3	15	3	18	ns
t_{CEZ}	Output buffer turn off delay from \overline{CAS} (see Note 6)		3	13	3	15	3	18	ns
t_{OEZ}	Output buffer turn off delay from \overline{OE} (see Note 6)		3	13	3	15	3	18	ns
t_{WEZ}	Output buffer turn off delay from \overline{W} (see Note 6)		3	13	3	15	3	18	ns

NOTES: 4. With ac parameters, it is assumed that $t_T = 2$ ns.

5. For TMS42x409A, access times are measured with output reference levels of $V_{OH} = 2$ V and $V_{OL} = 0.8$ V.

6. The maximum values of t_{REZ} , t_{CEZ} , t_{OEZ} , and t_{WEZ} are specified when the output is no longer driven. Data in should not be driven until one of the applicable maximum specifications is satisfied.



TMS416409A, TMS417409A, TMS426409A, TMS427409A
4194304 BY 4-BIT EXTENDED DATA OUT
DYNAMIC RANDOM-ACCESS MEMORIES

SMKS893B – AUGUST 1996 – REVISED APRIL 1997

EDO timing requirements over recommended ranges of supply voltage and operating free-air temperature (see Note 4)

	'41x409A-50 '42x409A-50		'41x409A-60 '42x409A-60		'41x409A-70 '42x409A-70		UNIT
	MIN	MAX	MIN	MAX	MIN	MAX	
t _{HPC} Cycle time, EDO page mode, read-write	20		25		30		ns
t _{PRWC} Cycle time, EDO read-write	57		68		78		ns
t _{CSH} Delay time, \overline{RAS} active to \overline{CAS} precharge	40		48		58		ns
t _{CHO} Hold time, \overline{OE} from \overline{CAS}	7		10		10		ns
t _{DOH} Hold time, output from \overline{CAS}	5		5		5		ns
t _{CAS} Pulse duration, \overline{CAS} active (see Note 7)	8	10000	10	10000	12	10000	ns
t _{WPE} Pulse duration, \overline{W} active (output disable only)	7		7		7		ns
t _{OCH} Setup time, \overline{OE} before \overline{CAS}	8		10		10		ns
t _{CP} Pulse duration, \overline{CAS} precharge	8		10		10		ns
t _{OEP} Precharge time, \overline{OE}	5		5		5		ns

NOTES: 4: With ac parameters, it is assumed that $t_T = 2$ ns.
 7: In a read-write cycle, t_{CWD} and t_{CWL} must be observed.



TMS416409A, TMS417409A, TMS426409A, TMS427409A
4194304 BY 4-BIT EXTENDED DATA OUT
DYNAMIC RANDOM-ACCESS MEMORIES

SMKS893B – AUGUST 1996 – REVISED APRIL 1997

timing requirements over recommended ranges of supply voltage and operating free-air temperature (see Note 4)

		'41x409A-50 '42x409A-50		'41x409A-60 '42x409A-60		'41x409A-70 '42x409A-70		UNIT
		MIN	MAX	MIN	MAX	MIN	MAX	
t _{RC}	Cycle time, random read or write	84		104		124		ns
t _{RWC}	Cycle time, read-write	111		135		160		ns
t _{RASP}	Pulse duration, $\overline{\text{RAS}}$ active, fast page mode (see Note 8)	50	100 000	60	100 000	70	100 000	ns
t _{RAS}	Pulse duration, $\overline{\text{RAS}}$ active, non-page mode (see Note 8)	50	10 000	60	10 000	70	10 000	ns
t _{RP}	Pulse duration, $\overline{\text{RAS}}$ precharge	30		40		50		ns
t _{WP}	Pulse duration, write command	8		10		10		ns
t _{ASC}	Setup time, column address	0		0		0		ns
t _{ASR}	Setup time, row address	0		0		0		ns
t _{DS}	Setup time, data in (see Note 9)	0		0		0		ns
t _{RCS}	Setup time, read command	0		0		0		ns
t _{CWL}	Setup time, write command before $\overline{\text{CAS}}$ precharge	8		10		12		ns
t _{RWL}	Setup time, write command before $\overline{\text{RAS}}$ precharge	8		10		12		ns
t _{WCS}	Setup time, write command before $\overline{\text{CAS}}$ active (early-write only)	0		0		0		ns
t _{WRP}	Setup time, $\overline{\text{W}}$ high before $\overline{\text{RAS}}$ low (CBR refresh only)	10		10		10		ns
t _{WTS}	Setup time, $\overline{\text{W}}$ low before $\overline{\text{RAS}}$ low (test mode only)	10		10		10		ns
t _{CSR}	Setup time, $\overline{\text{CAS}}$ referenced to $\overline{\text{RAS}}$ (CBR refresh only)	5		5		5		ns
t _{CAH}	Hold time, column address	8		10		12		ns
t _{DH}	Hold time, data in (see Note 9)	8		10		12		ns
t _{RAH}	Hold time, row address	8		10		10		ns
t _{TRCH}	Hold time, read command referenced to $\overline{\text{CAS}}$ (see Note 10)	0		0		0		ns
t _{TRRH}	Hold time, read command referenced to $\overline{\text{RAS}}$ (see Note 10)	0		0		0		ns
t _{WCH}	Hold time, write command during $\overline{\text{CAS}}$ active (early-write only)	8		10		12		ns
t _{ROH}	Hold time, $\overline{\text{RAS}}$ referenced to $\overline{\text{OE}}$	8		10		10		ns
t _{WRH}	Hold time, $\overline{\text{W}}$ high after $\overline{\text{RAS}}$ low (CBR refresh)	10		10		10		ns
t _{WTH}	Hold time, $\overline{\text{W}}$ low after $\overline{\text{RAS}}$ low (test mode only)	10		10		10		ns
t _{CHR}	Hold time, $\overline{\text{CAS}}$ referenced to $\overline{\text{RAS}}$ (CBR refresh only)	10		10		10		ns
t _{OEH}	Hold time, $\overline{\text{OE}}$ command	13		15		18		ns
t _{RHCP}	Hold time, $\overline{\text{RAS}}$ active from $\overline{\text{CAS}}$ precharge	28		35		40		ns

- NOTES: 4. With ac parameters, it is assumed that $t_T = 2$ ns.
8. In a read-write cycle, t_{RWD} and t_{RWL} must be observed.
9. Referenced to the later of CAS or W in write operations
10. Either t_{TRRH} or t_{TRCH} must be satisfied for a read cycle.

TMS416409A, TMS417409A, TMS426409A, TMS427409A
4194304 BY 4-BIT EXTENDED DATA OUT
DYNAMIC RANDOM-ACCESS MEMORIES

SMKS893B – AUGUST 1996 – REVISED APRIL 1997

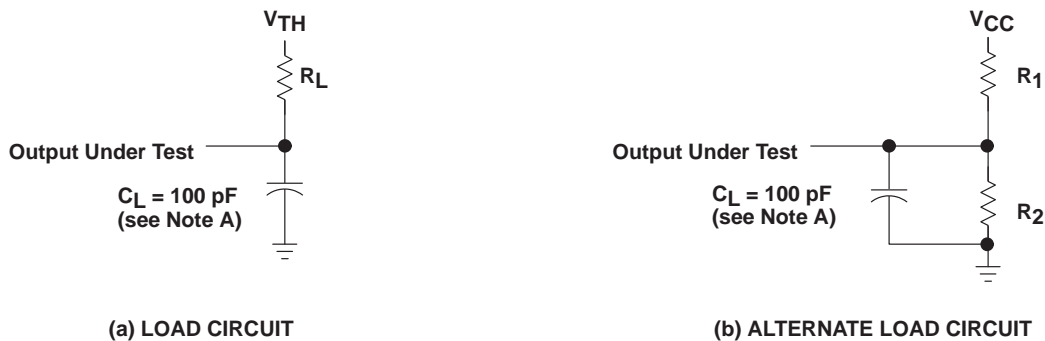
timing requirements over recommended ranges of supply voltage and operating free-air temperature (see Note 4) (continued)

		'41x409A-50 '42x409A-50		'41x409A-60 '42x409A-60		'41x409A-70 '42x409A-70		UNIT
		MIN	MAX	MIN	MAX	MIN	MAX	
t _{AWD}	Delay time, column address to write command (read-write only)	42		49		57		ns
t _{CPW}	Delay time, \overline{W} low after xCAS precharge (read-write only)	45		54		62		ns
t _{CRP}	Delay time, \overline{CAS} precharge to RAS	5		5		5		ns
t _{CWD}	Delay time, \overline{CAS} to write command (read-write only)	30		34		40		ns
t _{OED}	Delay time, \overline{OE} to data in	13		15		18		ns
t _{RAD}	Delay time, \overline{RAS} to column address (see Note 11)	10	25	12	30	12	35	ns
t _{RAL}	Delay time, column address to \overline{RAS} precharge	25		30		35		ns
t _{CAL}	Delay time, column address to \overline{CAS} precharge	18		20		25		ns
t _{RCD}	Delay time, \overline{RAS} to \overline{CAS} (see Note 11)	12	37	14	45	14	52	ns
t _{RPC}	Delay time, \overline{RAS} precharge to \overline{CAS}	5		5		5		ns
t _{RSH}	Delay time, \overline{CAS} active to \overline{RAS} precharge	8		10		12		ns
t _{RWD}	Delay time, \overline{RAS} to write command (read-write only)	67		79		92		ns
t _{TAA}	Access time from address (test mode)	30		35		40		ns
t _{TCPA}	Access time, from column precharge (test mode)	35		40		45		ns
t _{TRAC}	Access time, from \overline{RAS} (test mode)	55		65		75		ns
t _T	Transition time	2	30	2	30	2	30	ns
t _{REF}	Refresh time interval	'4x6409A		64		64		ms
		'4x7409A		32		32		ms

NOTES: 4. With ac parameters, it is assumed that t_T = 2 ns.
 11. The maximum value is specified only to ensure access time.



PARAMETER MEASUREMENT INFORMATION

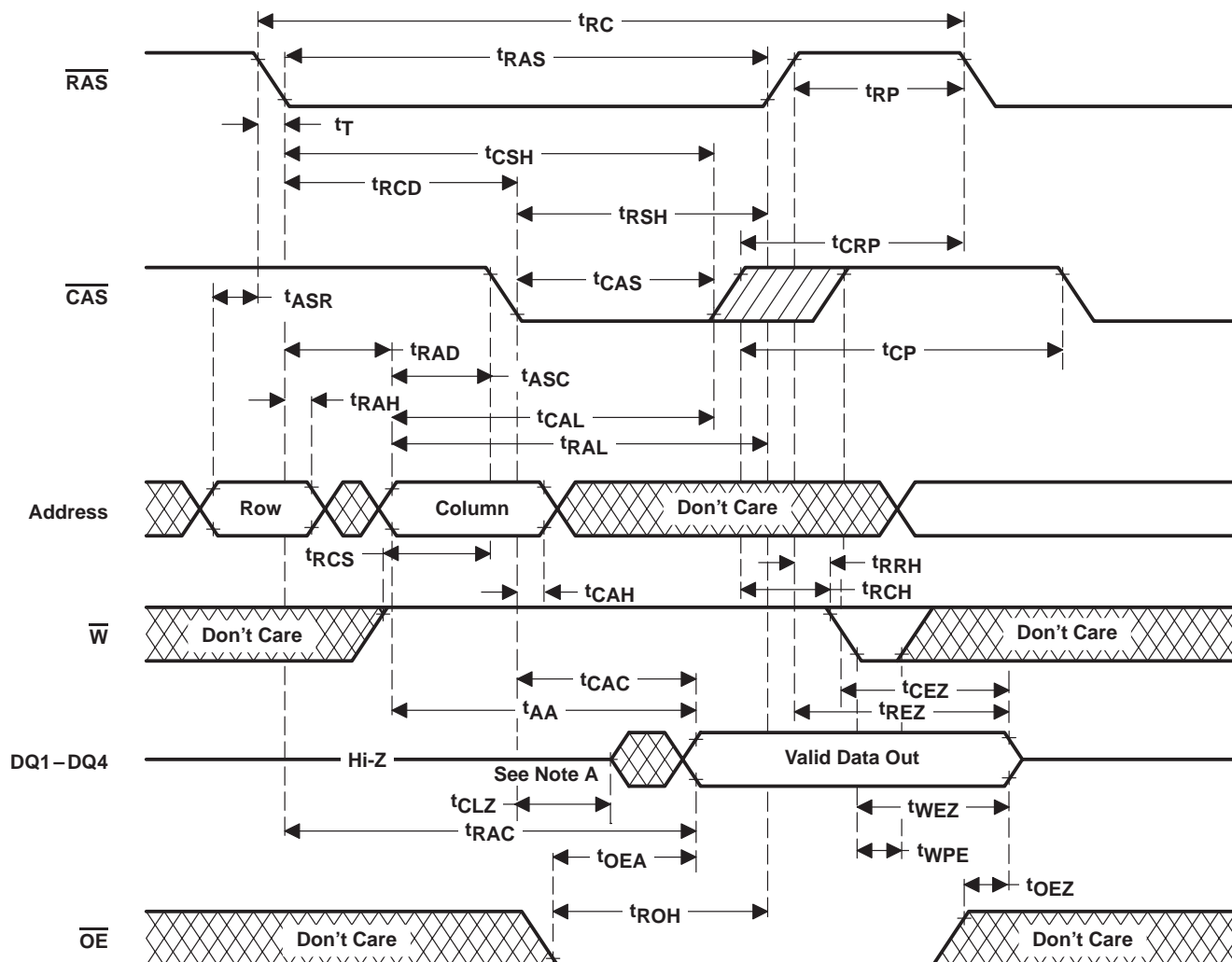


NOTE A: C_L includes probe and fixture capacitance.

DEVICE	V _{CC} (V)	R ₁ (Ω)	R ₂ (Ω)	V _{TH} (V)	R _L (Ω)
'41x409A	5	828	295	1.31	218
'42x409A	3.3	1178	868	1.4	500

Figure 2. Load Circuits for Timing Parameters

PARAMETER MEASUREMENT INFORMATION



NOTE A: Output can go from the high-impedance state to an invalid-data state prior to the specified access time.

Figure 3. Read-Cycle Timing

PARAMETER MEASUREMENT INFORMATION

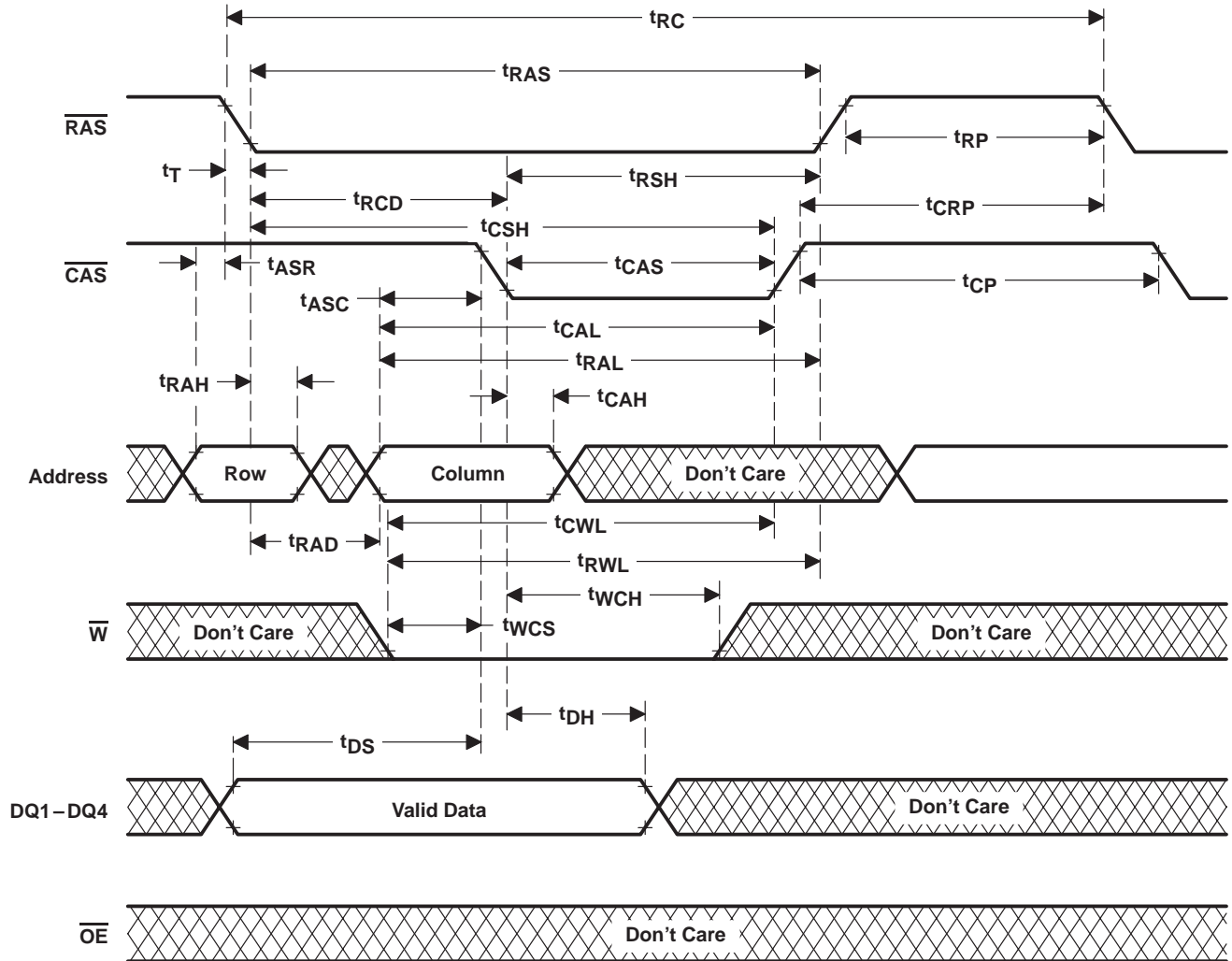


Figure 4. Early-Write-Cycle Timing

PARAMETER MEASUREMENT INFORMATION

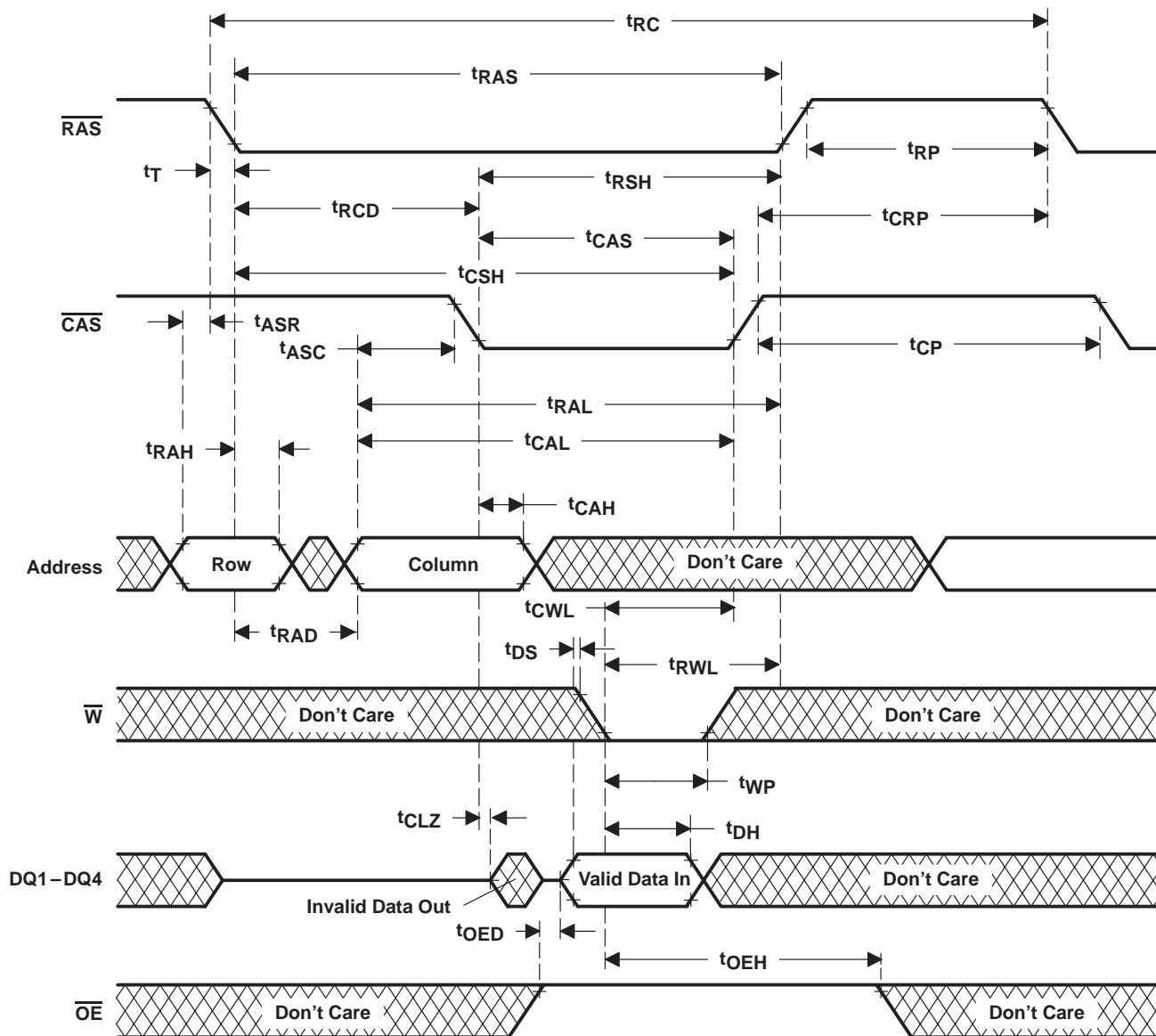
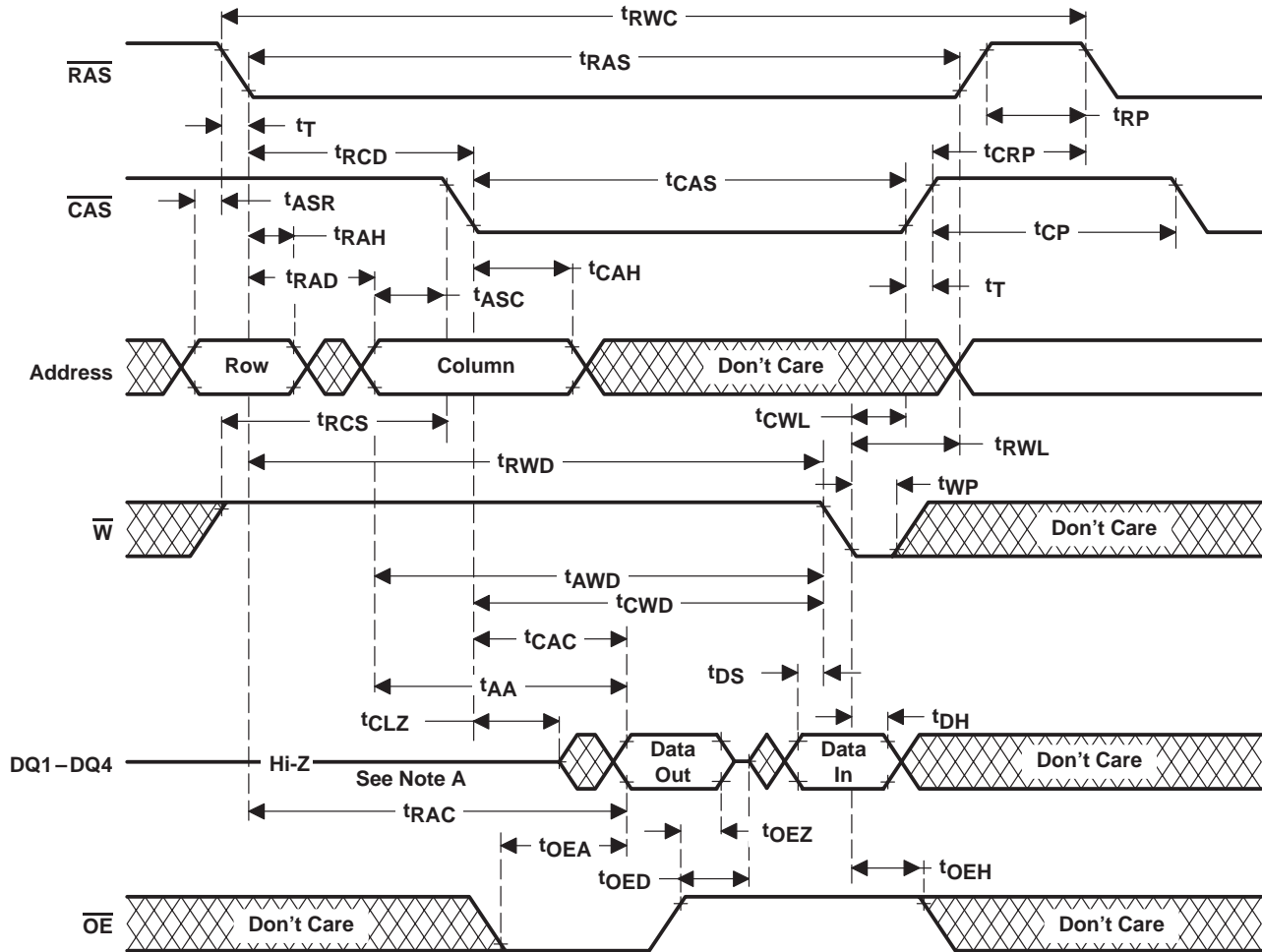


Figure 5. Write-Cycle Timing

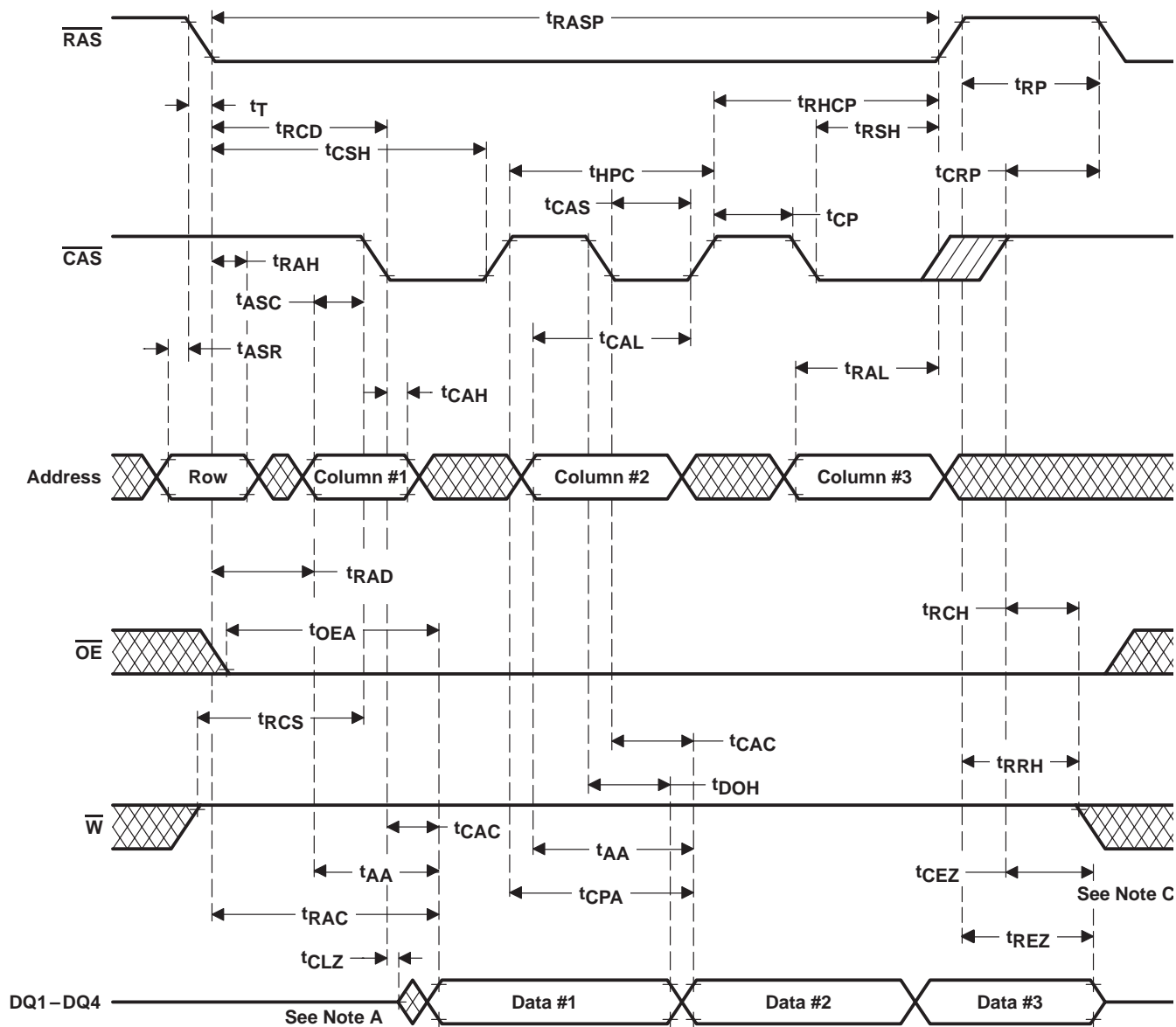
PARAMETER MEASUREMENT INFORMATION



NOTE A: Output can go from the high-impedance state to an invalid-data state prior to the specified access time.

Figure 6. Read-Write-Cycle Timing

PARAMETER MEASUREMENT INFORMATION

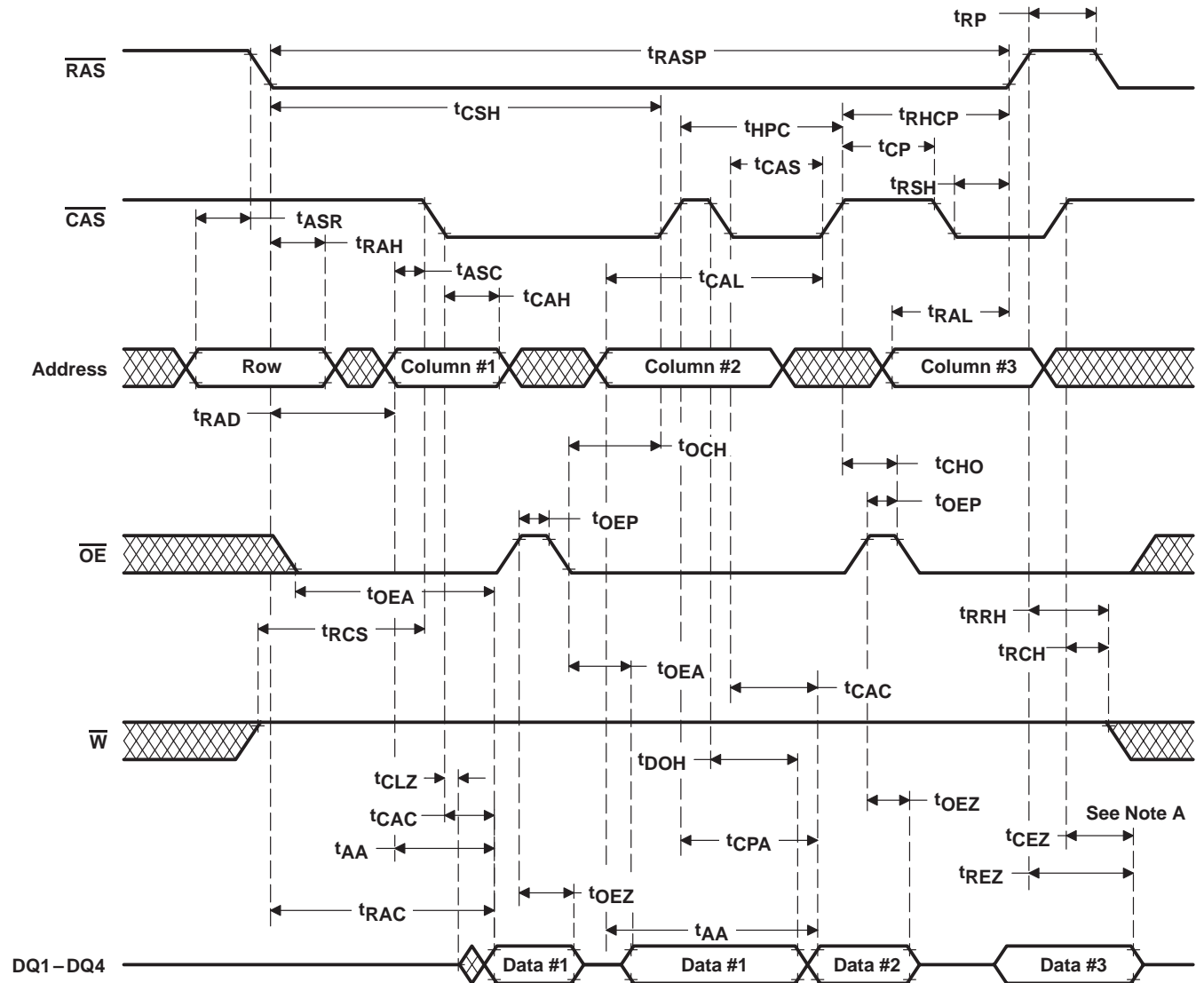


- NOTES: A. Output can go from the high-impedance state to an invalid-data state prior to the specified access time.
 B. Access time is t_{CPA} , t_{AA} , or t_{CAC} -dependent.
 C. Output is turned off by t_{CEZ} if $\overline{\text{RAS}}$ goes high during $\overline{\text{CAS}}$ low.

Figure 7. EDO Read Cycle



PARAMETER MEASUREMENT INFORMATION



NOTE A: Output is turned off by t_{CEZ} if \overline{RAS} goes high during \overline{CAS} low.

Figure 8. EDO Read-Cycle With \overline{OE} Control

PARAMETER MEASUREMENT INFORMATION

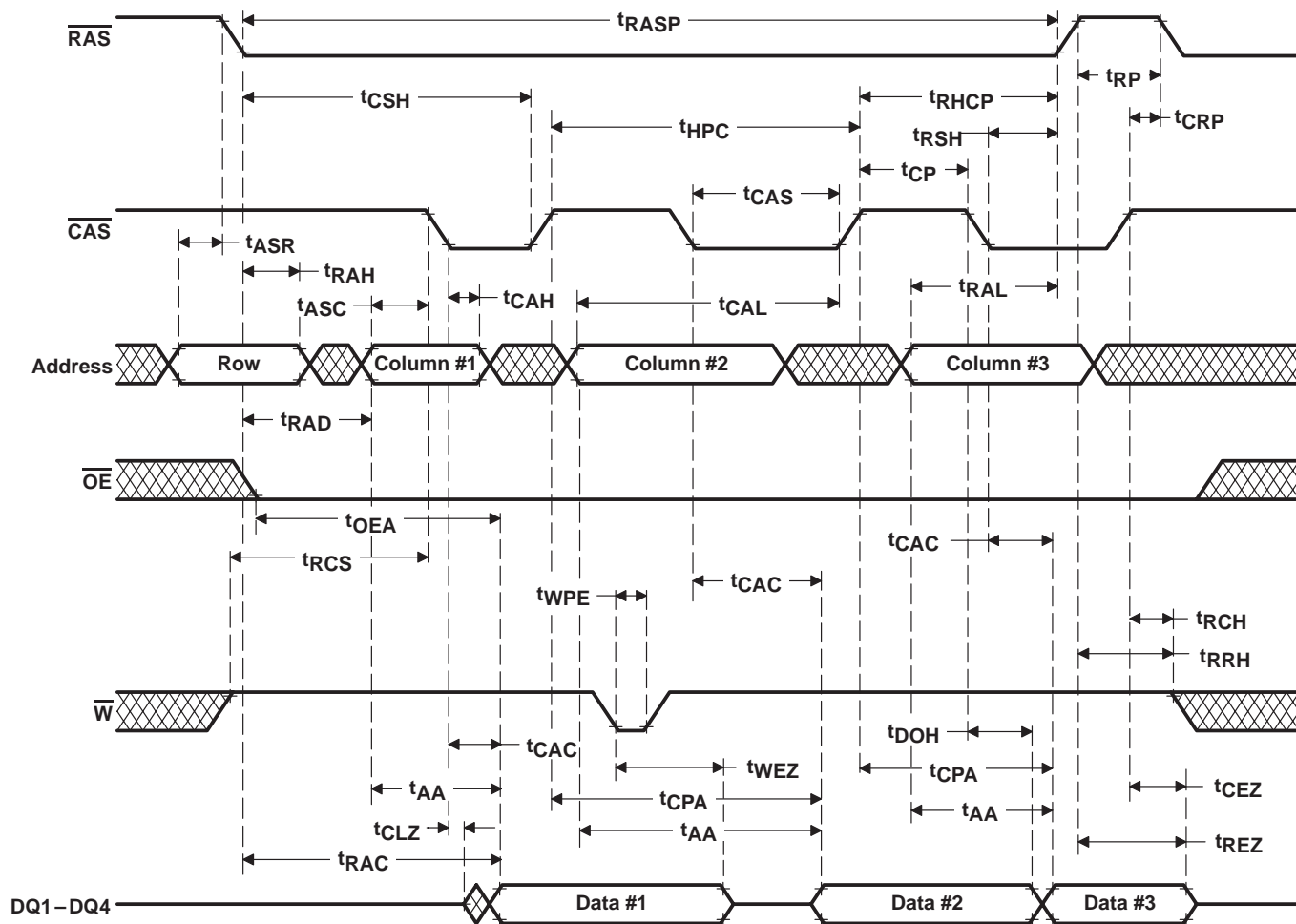
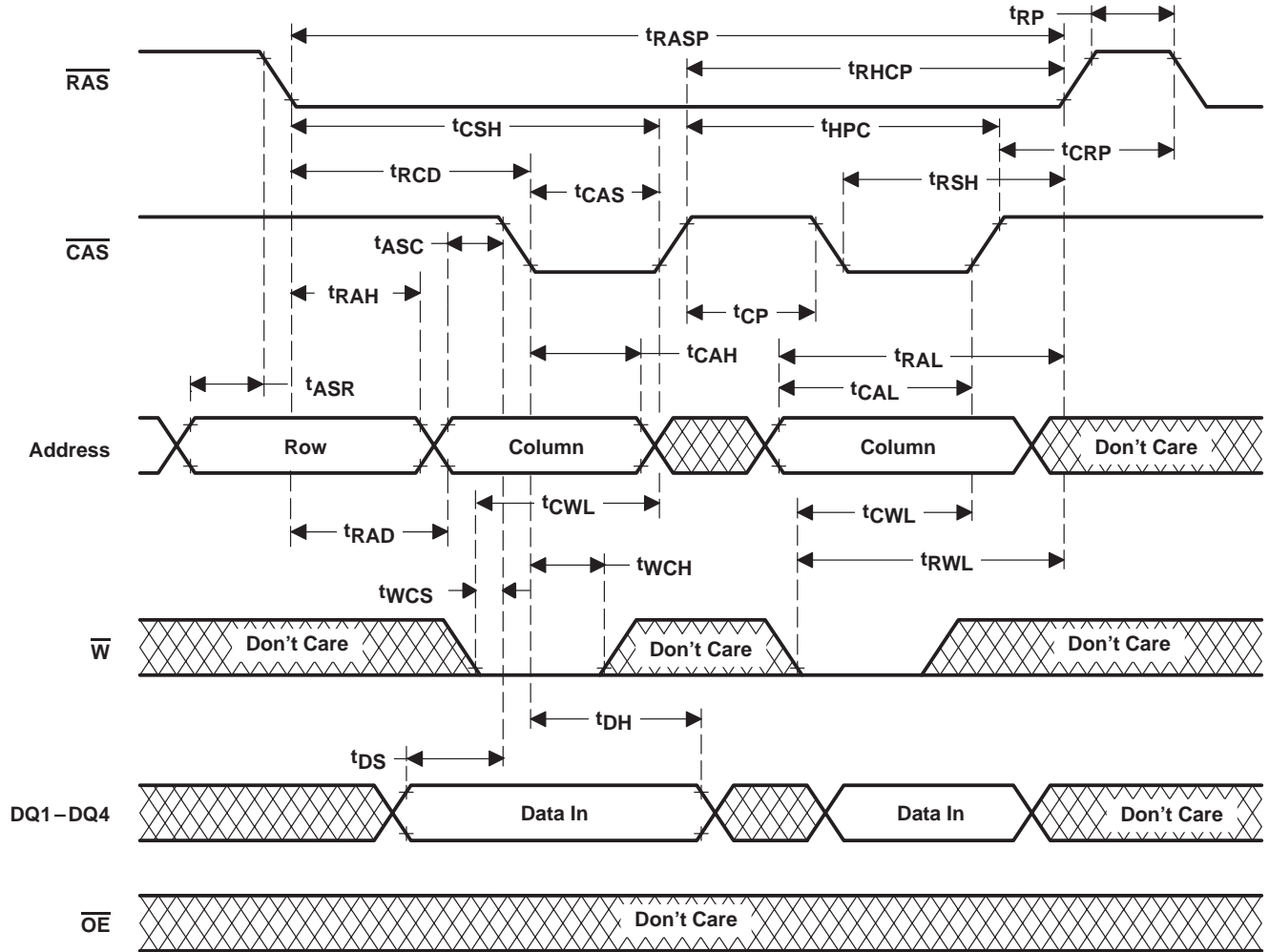


Figure 9. EDO Read-Cycle With \overline{W} Control

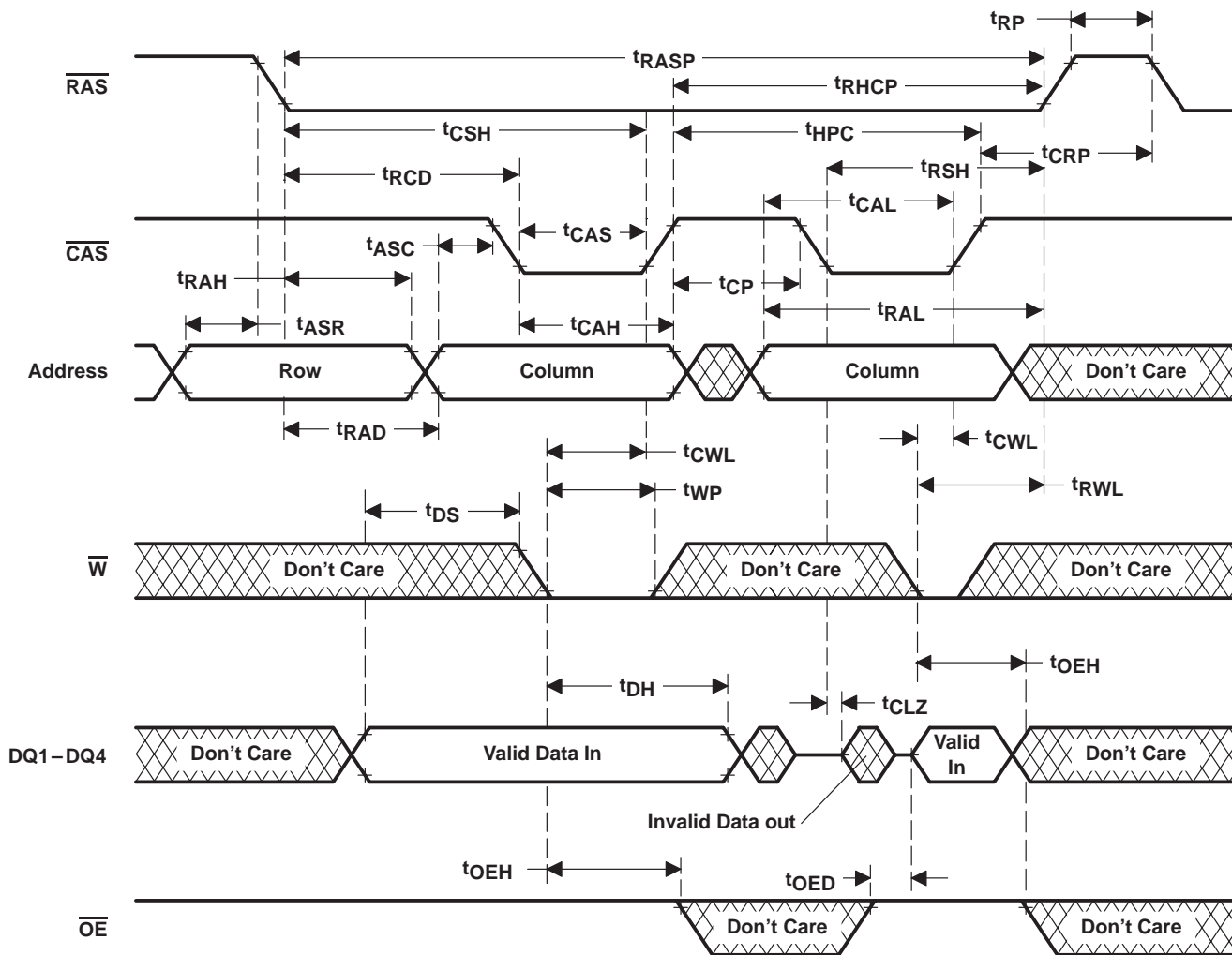
PARAMETER MEASUREMENT INFORMATION



NOTE A: A read cycle or a read-write cycle can be intermixed with write cycles as long as read and read-write timing specifications are not violated.

Figure 10. EDO Early-Write-Cycle Timing

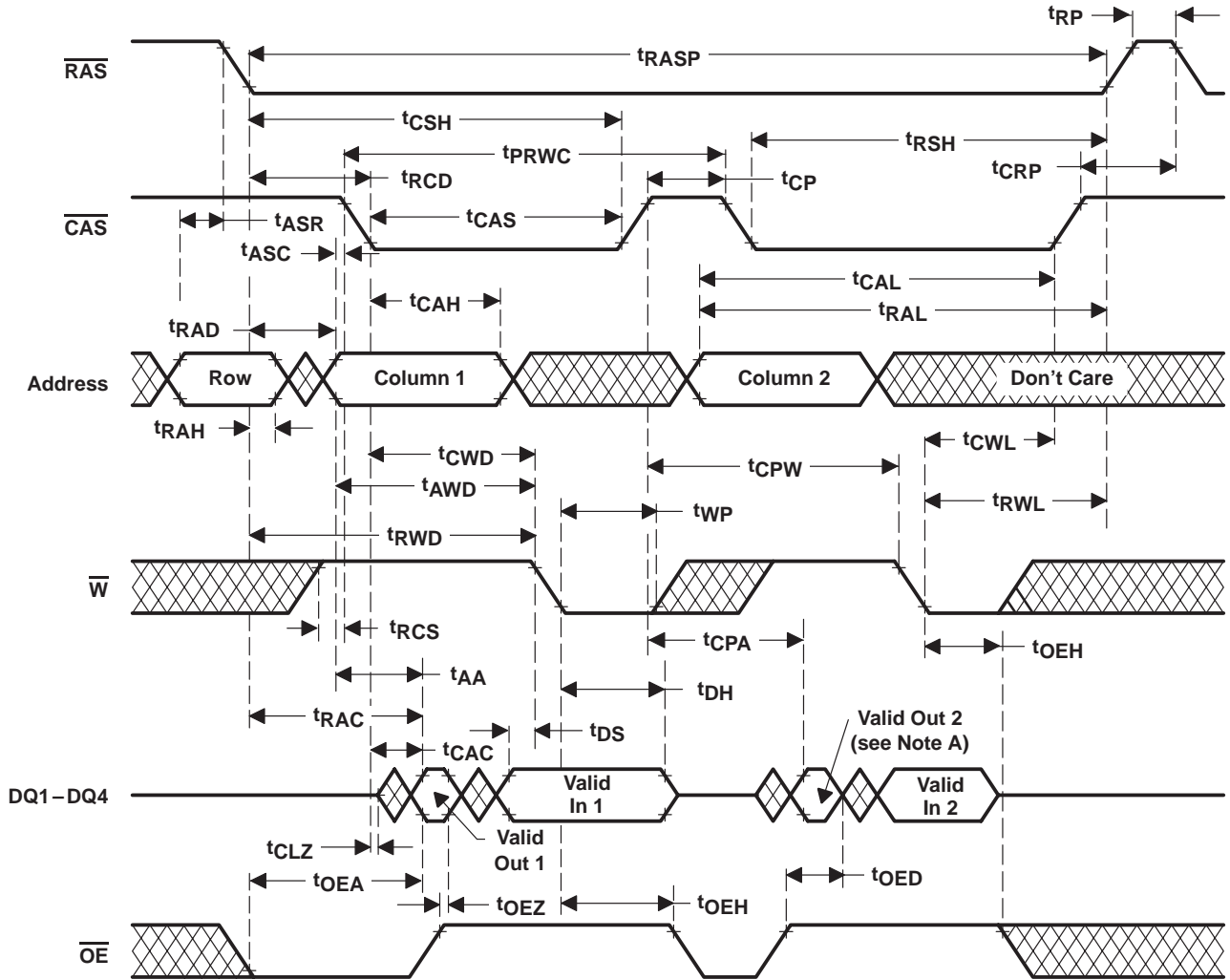
PARAMETER MEASUREMENT INFORMATION



NOTE A: A read cycle or a read-write cycle can be intermixed with write cycles as long as read and read-write timing specifications are not violated.

Figure 11. EDO Write-Cycle Timing

PARAMETER MEASUREMENT INFORMATION



- NOTES: A. Output can go from the high-impedance state to an invalid-data state prior to the specified access time.
 B. A read or write cycle can be intermixed with read-write cycles as long as the read- and write-timing specifications are not violated.

Figure 12. EDO Read-Write-Cycle Timing

PARAMETER MEASUREMENT INFORMATION

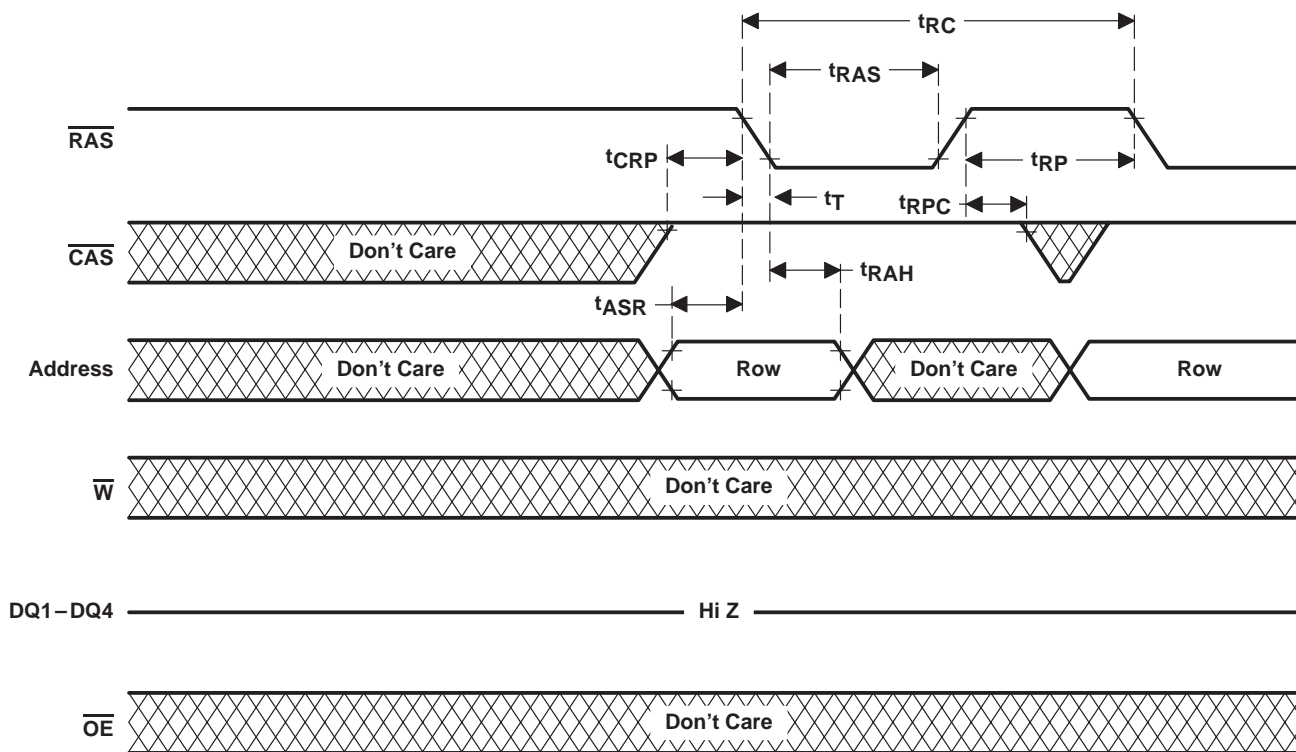


Figure 13. $\overline{\text{RAS}}$ -Only Refresh-Cycle Timing

PARAMETER MEASUREMENT INFORMATION

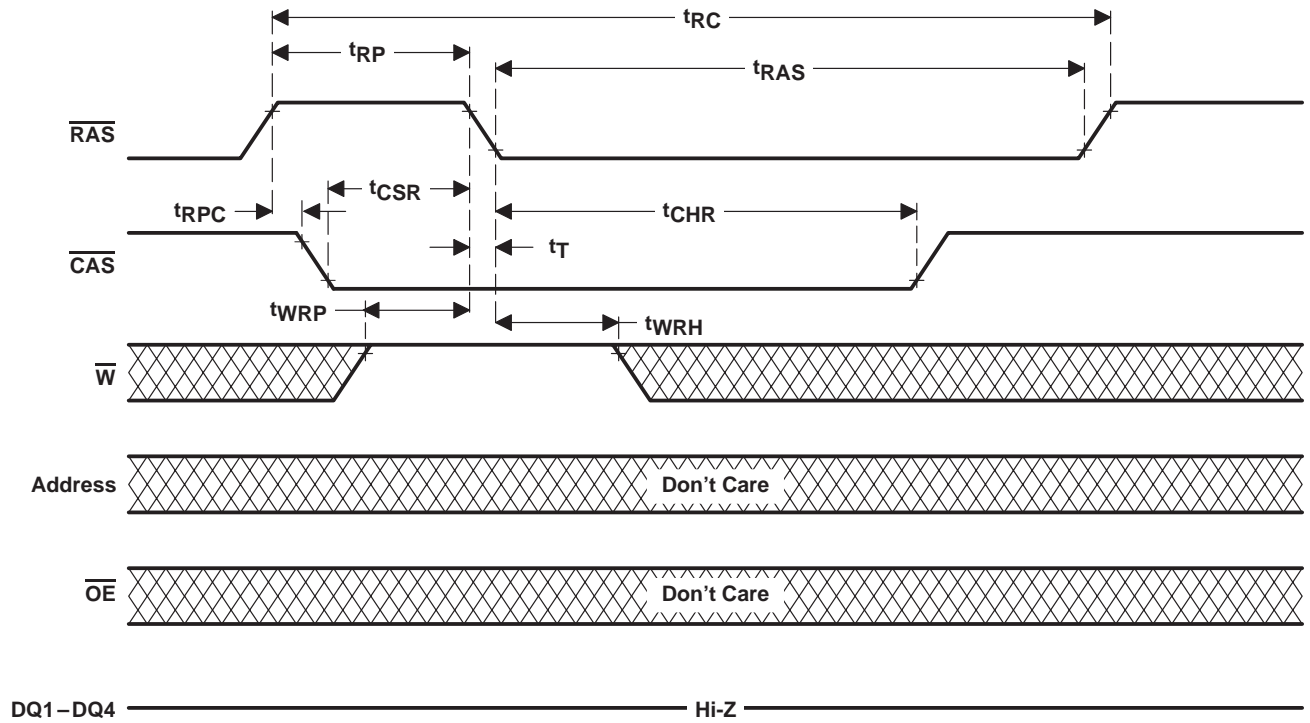


Figure 14. Automatic-CBR-Refresh-Cycle Timing

PARAMETER MEASUREMENT INFORMATION

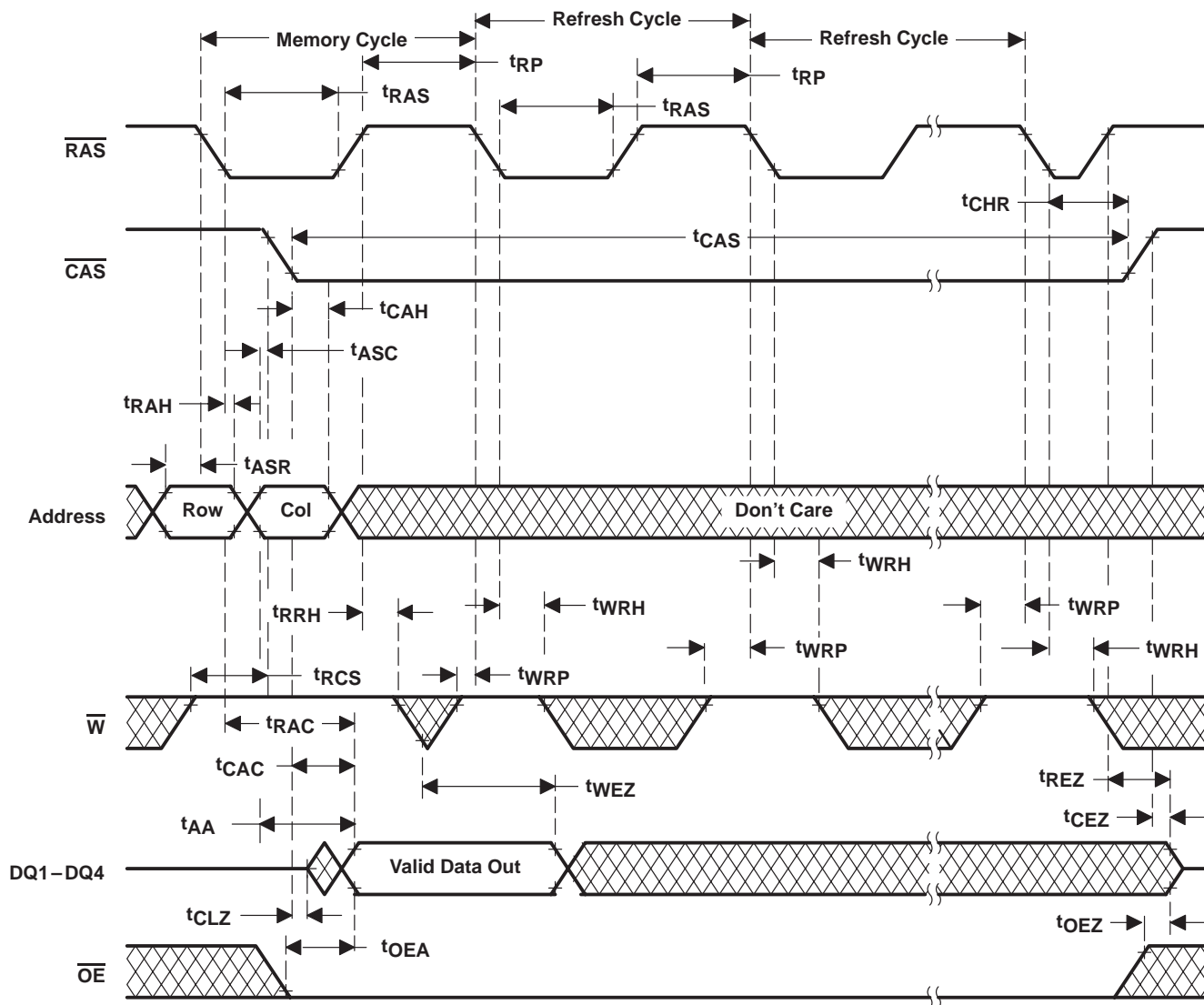


Figure 15. Hidden-Refresh-Cycle (Read) Timing

PARAMETER MEASUREMENT INFORMATION

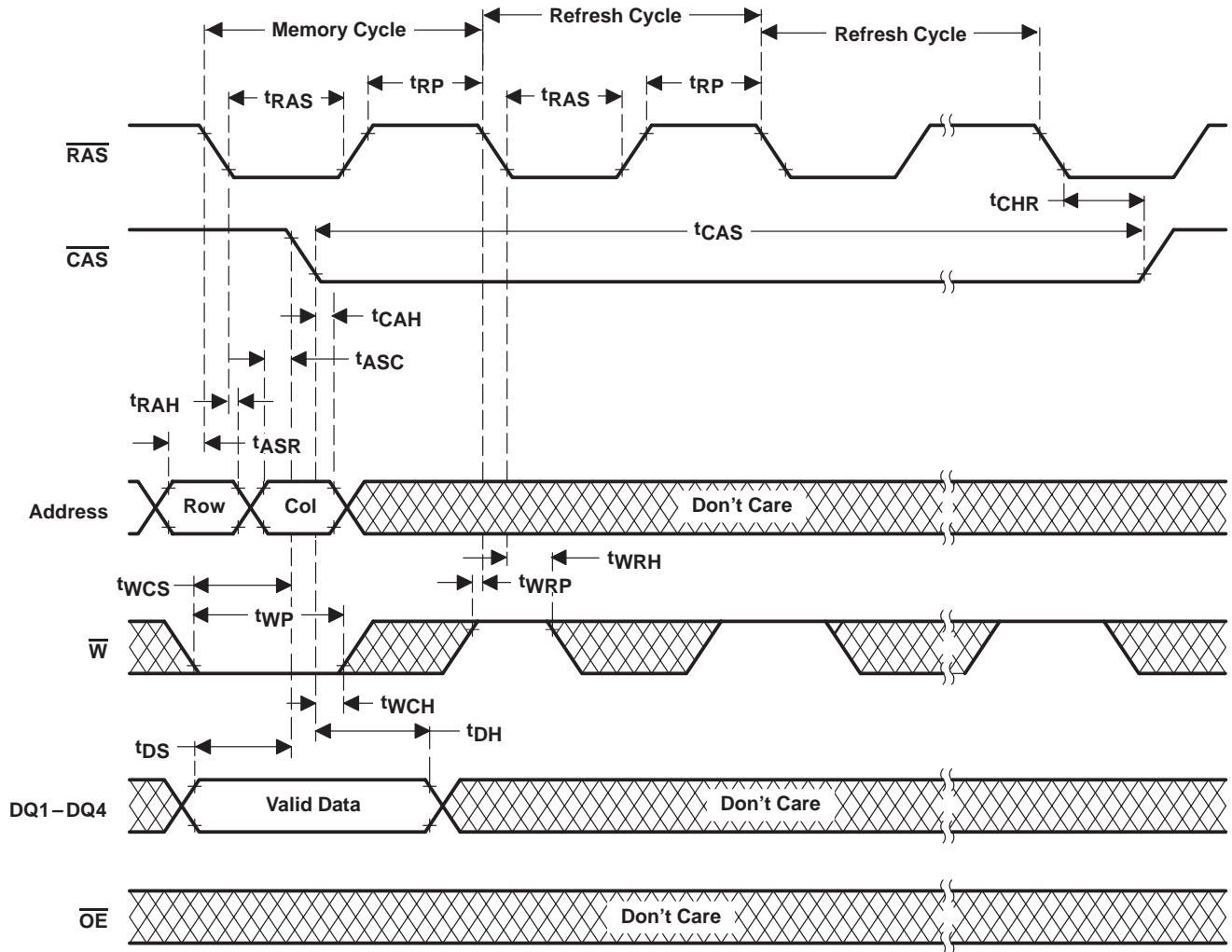


Figure 16. Hidden-Refresh-Cycle (Write) Timing

PARAMETER MEASUREMENT INFORMATION

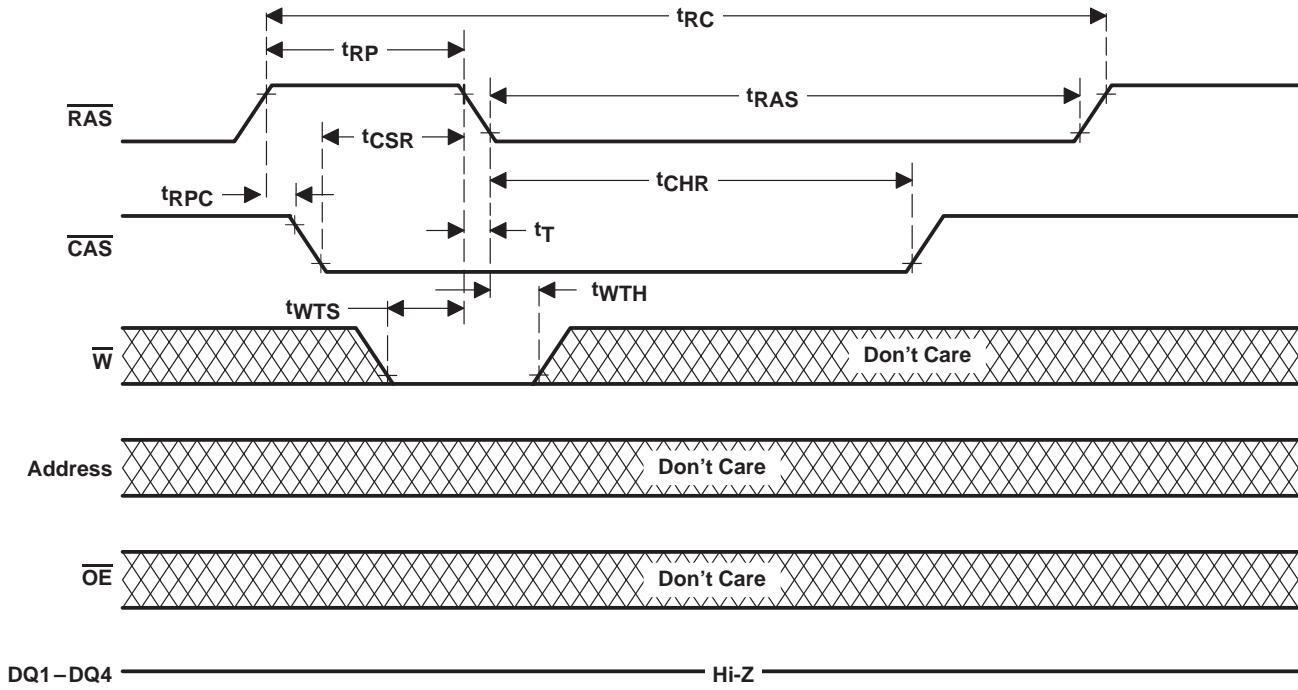


Figure 17. Test-Mode-Entry-Cycle Timing

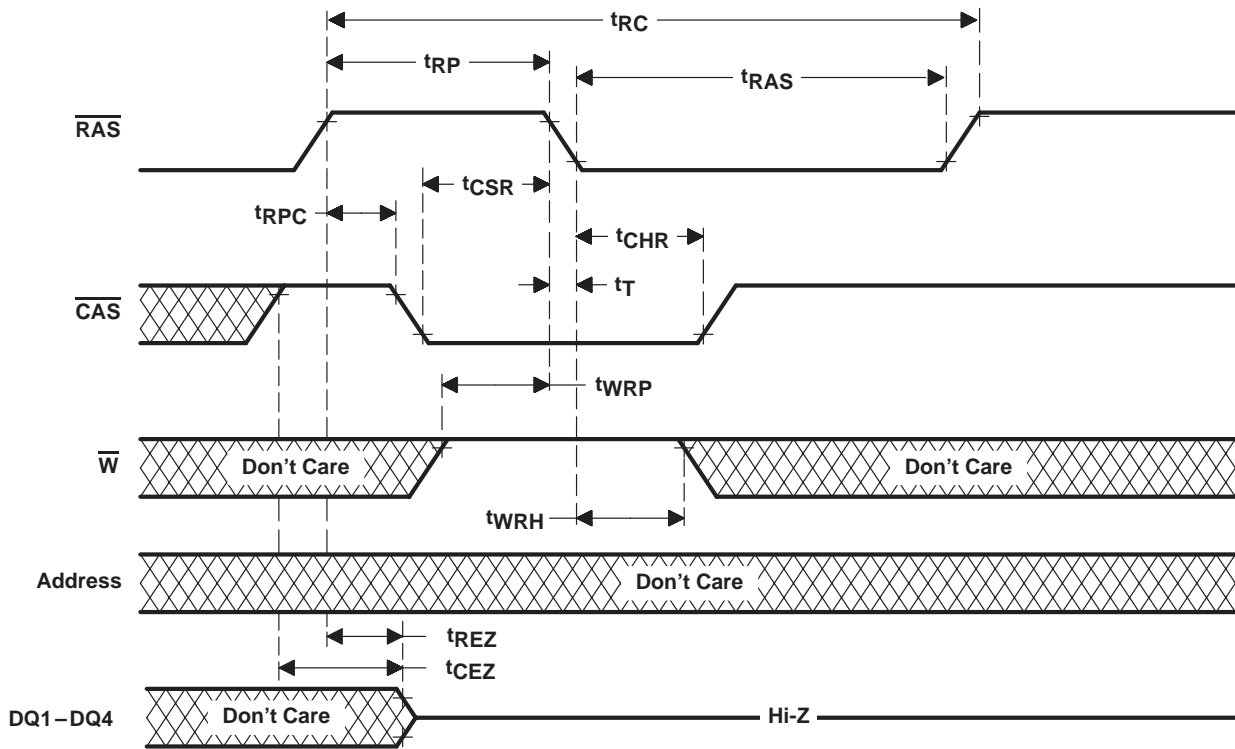
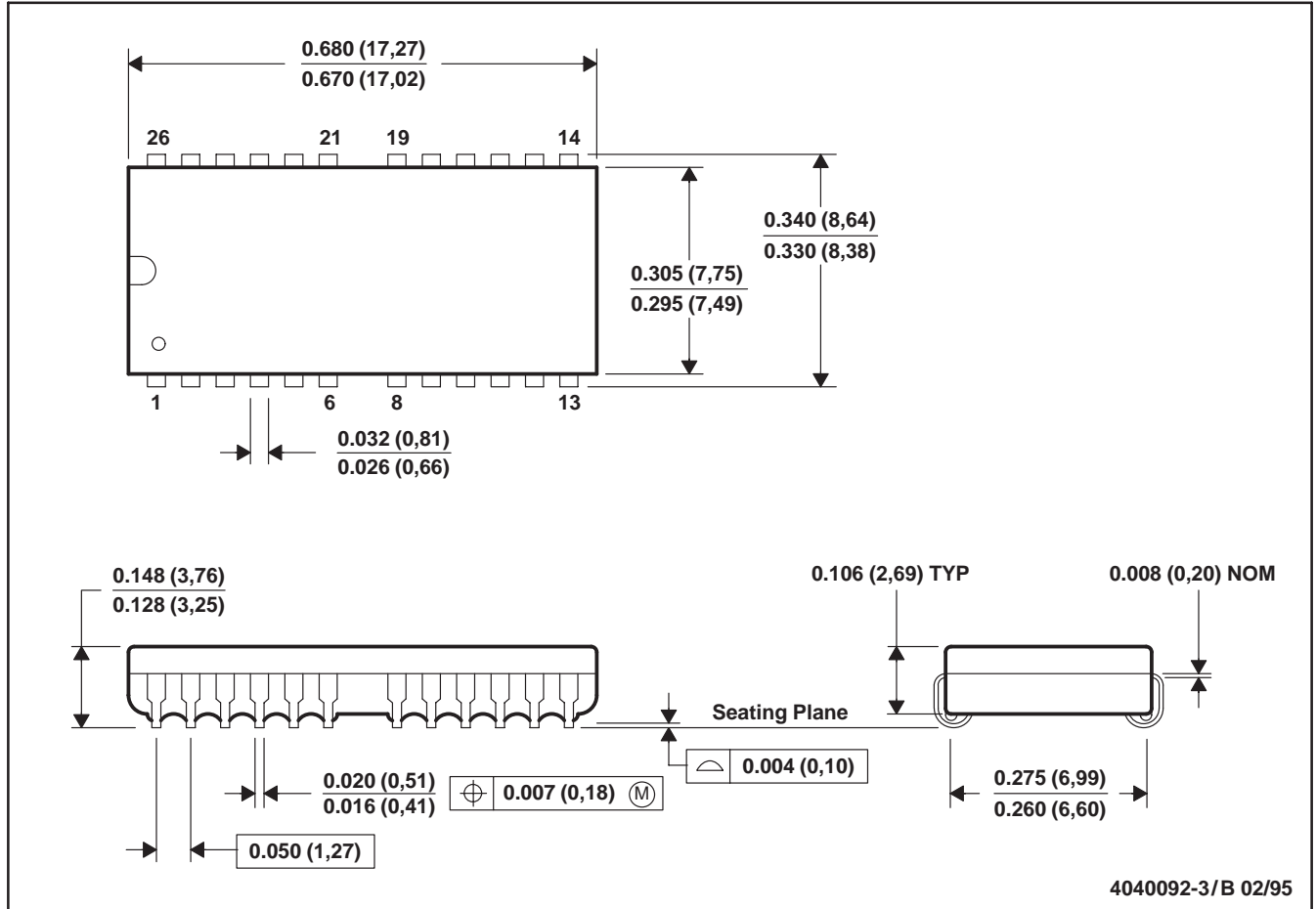


Figure 18. Test-Mode-Exit-Cycle CBR-Refresh-Cycle Timing

MECHANICAL DATA

DJ (R-PDSO-J24/26)

PLASTIC SMALL-OUTLINE J-LEAD PACKAGE



- NOTES: A. All linear dimensions are in inches (millimeters).
 B. This drawing is subject to change without notice.
 C. Plastic body dimensions do not include mold protrusion. Maximum mold protrusion is 0.005 (0,125).

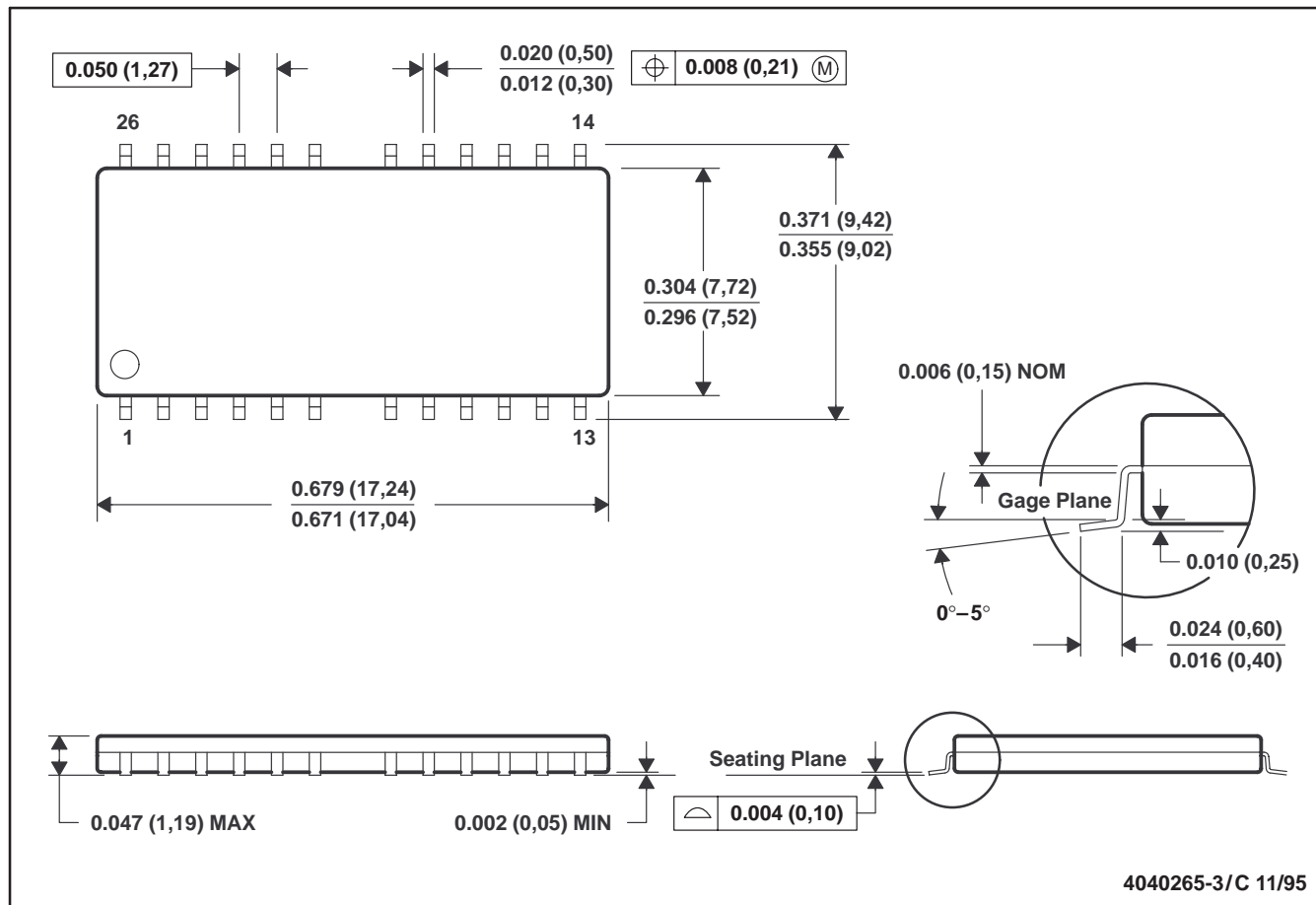
TMS416409A, TMS417409A, TMS426409A, TMS427409A
 4194304 BY 4-BIT EXTENDED DATA OUT
 DYNAMIC RANDOM-ACCESS MEMORIES

SMKS893B – AUGUST 1996 – REVISED APRIL 1997

MECHANICAL DATA

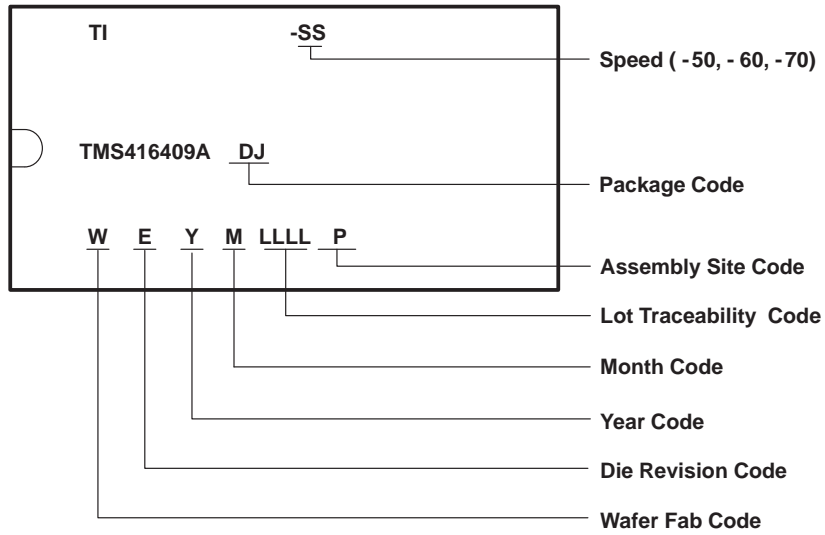
DGA (R-PDSO-G24/26)

PLASTIC SMALL-OUTLINE PACKAGE



- NOTES: A. All linear dimensions are in inches (millimeters).
 B. This drawing is subject to change without notice.
 C. Body dimensions do not include mold flash or protrusion.

device symbolization (TMS416409A illustrated)



TMS416409A, TMS417409A, TMS426409A, TMS427409A
4194304 BY 4-BIT EXTENDED DATA OUT
DYNAMIC RANDOM-ACCESS MEMORIES

SMKS893B – AUGUST 1996 – REVISED APRIL 1997



IMPORTANT NOTICE

Texas Instruments (TI) reserves the right to make changes to its products or to discontinue any semiconductor product or service without notice, and advises its customers to obtain the latest version of relevant information to verify, before placing orders, that the information being relied on is current.

TI warrants performance of its semiconductor products and related software to the specifications applicable at the time of sale in accordance with TI's standard warranty. Testing and other quality control techniques are utilized to the extent TI deems necessary to support this warranty. Specific testing of all parameters of each device is not necessarily performed, except those mandated by government requirements.

Certain applications using semiconductor products may involve potential risks of death, personal injury, or severe property or environmental damage ("Critical Applications").

TI SEMICONDUCTOR PRODUCTS ARE NOT DESIGNED, INTENDED, AUTHORIZED, OR WARRANTED TO BE SUITABLE FOR USE IN LIFE-SUPPORT APPLICATIONS, DEVICES OR SYSTEMS OR OTHER CRITICAL APPLICATIONS.

Inclusion of TI products in such applications is understood to be fully at the risk of the customer. Use of TI products in such applications requires the written approval of an appropriate TI officer. Questions concerning potential risk applications should be directed to TI through a local SC sales office.

In order to minimize risks associated with the customer's applications, adequate design and operating safeguards should be provided by the customer to minimize inherent or procedural hazards.

TI assumes no liability for applications assistance, customer product design, software performance, or infringement of patents or services described herein. Nor does TI warrant or represent that any license, either express or implied, is granted under any patent right, copyright, mask work right, or other intellectual property right of TI covering or relating to any combination, machine, or process in which such semiconductor products or services might be or are used.