

## **Repair Information**

**Place the hard-tab page labeled "Repair Information" in place of this page, then discard this page.**



# SECTION 3. REPAIR INFORMATION

How to Use the Repair Information .....	3-5
Safety Ground Locations .....	3-6
Power Supply .....	3-6
IBM Monochrome Display .....	3-7
IBM Color Display .....	3-8
IBM Enhanced Color Display .....	3-9
IBM Professional Graphics Display .....	3-10
Locations .....	3-11
IBM Personal Computer .....	3-11
Rear View .....	3-11
Top View .....	3-12
System Board .....	3-13
IBM Personal Computer XT .....	3-14
Rear View .....	3-14
Top View .....	3-15
System Board .....	3-16
Expansion Unit .....	3-17
Rear View .....	3-17
Top View .....	3-18
Expansion Board .....	3-19
Diskette Drives .....	3-20
Full High Diskette Drive Assembly - Type 1 ..	3-20
Full High Diskette Drive Assembly - Type 2 ..	3-23
Full High Diskette Drive Assembly - Type 3 ..	3-25
Fixed Disk Drive .....	3-27
Keyboards .....	3-28
83-Key Keyboard .....	3-28
National Language Keyboard Types (83-Key) .	3-29
Adjustments .....	3-30
Full High Diskette Drive - Type 1 .....	3-30
Drive-Motor Preliminary Speed .....	3-30
Drive-Motor Speed .....	3-34
Full High Diskette Drive - Type 2 .....	3-39
Drive-Motor Preliminary Speed .....	3-39
Drive-Motor Speed .....	3-43
Full High Diskette Drive - Type 3 .....	3-47

Drive-Motor Preliminary Speed .....	3-47
Drive-Motor Speed .....	3-51
Color Trimmer Capacitor Adjustment .....	3-52
IBM Color Display .....	3-53
Vertical Hold .....	3-53
Vertical Size .....	3-54
IBM Enhanced Color Display .....	3-55
Vertical Size Adjustment - Mode 1 .....	3-55
Vertical Size Adjustment - Mode 2 .....	3-56
Removals and Replacements .....	3-57
Cover 1005 .....	3-57
Diskette Drives .....	3-58
Full High Diskette Drive A 1010 .....	3-58
Full High Diskette Drive B 1015 .....	3-61
Terminating Resistor (T-RES) Removal 1020 ..	3-63
Fixed Disk Drive .....	3-64
Drive C: 1025 .....	3-64
Drive D: 1030 .....	3-69
Option Adapters 1035 .....	3-72
Power Supply 1040 .....	3-73
Speaker 1045 .....	3-79
System Board 1050 .....	3-80
Expansion Board 1055 .....	3-82
8088 or Math Coprocessor 1060 .....	3-84
Memory Module 1065 .....	3-86
Disassembly and Assembly .....	3-87
Full High Diskette Drive - Type 1 .....	3-87
Cone Assembly 1100-1 .....	3-87
Cone Lever Arm 1105-1 .....	3-89
Logic Board 1120-1 .....	3-91
Drive Belt 1125-1 .....	3-93
Drive Motor 1130-1 .....	3-94
Front Panel 1140-1 .....	3-96
Latch Assembly 1145-1 .....	3-98
LED Assembly 1150-1 .....	3-99
Left Diskette Guide 1155-1 .....	3-100
Right Diskette Guide 1160-1 .....	3-101
Servo Board 1165-1 .....	3-102
Spindle Assembly 1170-1 .....	3-103
Write Protect Switch Assembly 1180-1 ...	3-106
Full High Diskette Drive - Type 2 .....	3-107
Cone Assembly 1100-2 .....	3-107
Cone Lever Arm 1105-2 .....	3-108
Logic Board 1120-2 .....	3-110

Drive Belt 1125-2	3-112
Drive Motor 1130-2	3-113
Front Panel 1140-2	3-114
Latch Assembly 1145-2	3-115
LED Assembly 1150-2	3-116
Left Diskette Guide 1155-2	3-117
Right Diskette Guide 1160-2	3-118
Spindle Assemble 1170-2	3-119
Write Protect Switch 1180-2	3-121
Full High Diskette Drive - Type 3	3-122
Cone Assembly 1100-3	3-122
Cone Lever Arm 1105-3	3-124
Logic Board 1120-3	3-126
Drive Belt 1125-3	3-127
Drive Motor 1130-3	3-128
Front Panel 1140-3	3-129
Latch Assembly 1145-3	3-130
LED Assembly 1150-3	3-131
Left Diskette Guide and Write Protect Sensor Assembly 1155-3	3-132
Right Diskette Guide 1160-3	3-133
Spindle Assemble 1170-3	3-134
Keyboard	3-135
83-Key Keyboard Base 1200	3-135
83-Key Keyboard Assembly 1205	3-136

# Notes:



# How to Use the Repair Information

This section contains safety grounds, locations, adjustments, and removals for both the IBM Personal Computer and the IBM Personal Computer XT. Any differences between the two are noted as exceptions; otherwise the procedures work for both systems. Look in the section Table of Contents to find the assembly you are servicing.

Each removal procedure for a field replaceable unit (FRU) has a reference number next to the title of the procedure. When a step is explained fully by another procedure, you can refer back to that procedure by using the reference number in parentheses. For example:

1. Power off the system.
2. Remove the system unit cover (**1005**).
3. Remove the screw holding the speaker.

In the example, Step 2 refers you to procedure **1005** for complete instructions on removing the system unit cover.

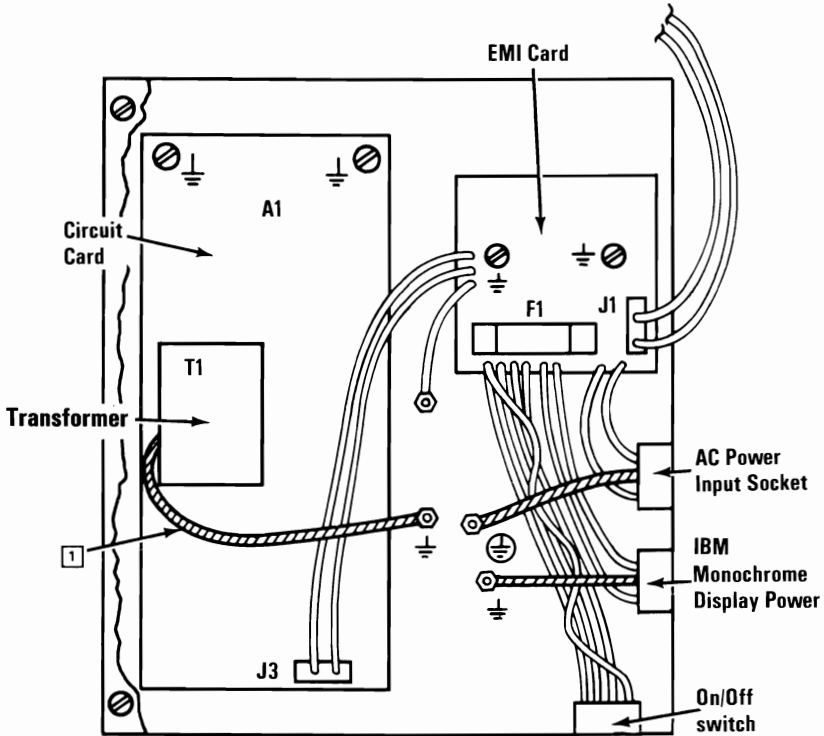
**Note:** Procedures are listed in numeric order in the section Table of Contents under "Removals and Replacements."

To replace a FRU, reverse the removal procedure and follow any notes that pertain to replacement.

# Safety Ground Locations

## Power Supply

- IBM Personal Computer
- IBM Personal Computer XT
- IBM Personal Computer Expansion Unit.

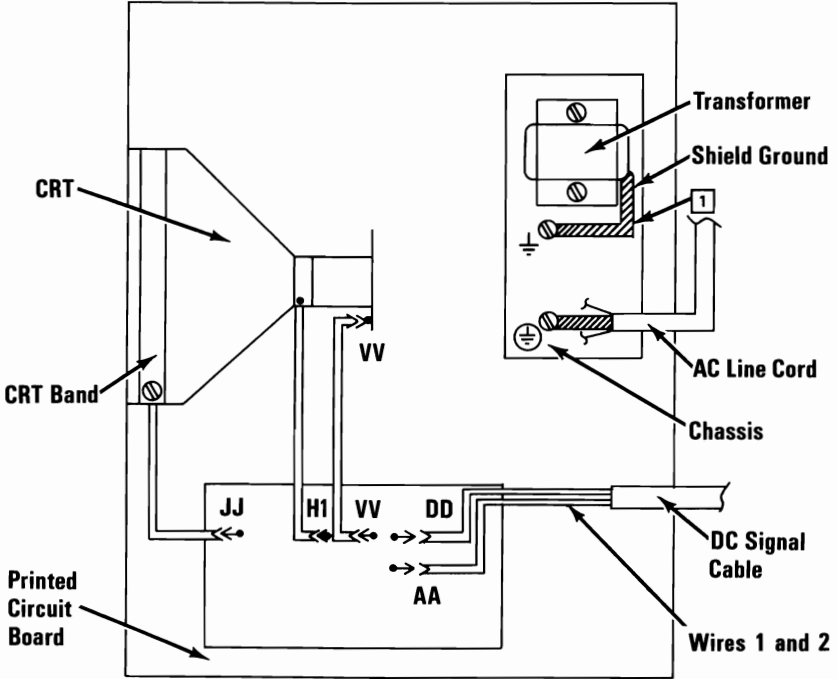


Legend	
	Screw Connection
	Primary Ground
	Ground Post
	Chassis Ground
	Ground Wire
<span style="border: 1px solid black; padding: 2px;">1</span>	Note: This lead present on 220/240 Vac machines only.









# IBM Monochrome Display

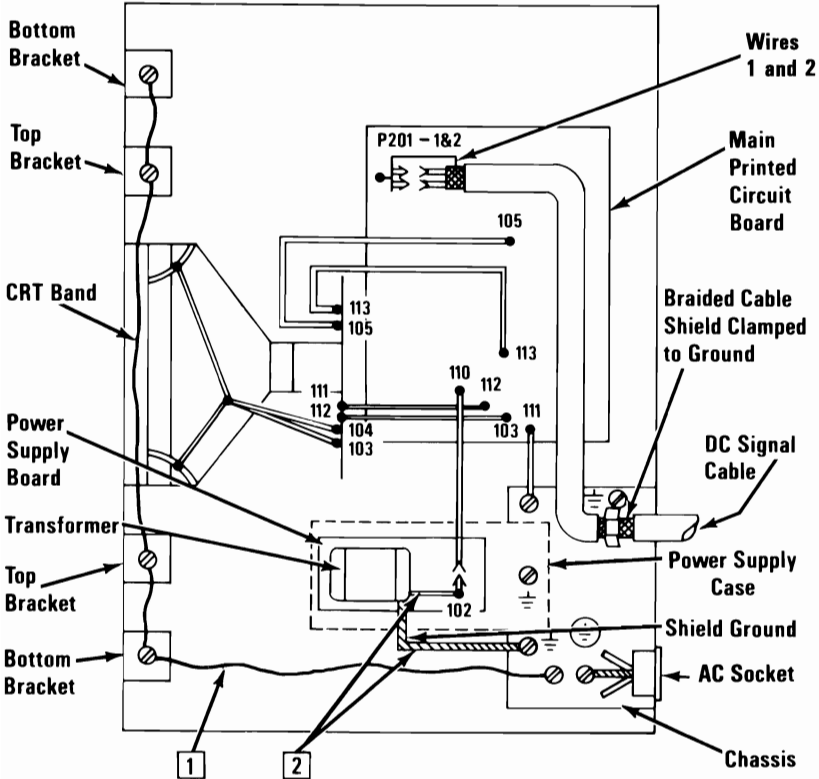
**Note:** JJ, H1, VV, AA  
and DD are joined  
printed circuit  
lands on board.



## Legend

	Screw Connection		Ground Lead
	Soldered Connection		Primary Ground
	Plugged Connection		Chassis Ground
<div style="border: 1px solid black; display: inline-block; padding: 2px;">1</div> This lead only present on 220/240 Vac machines.			

# IBM Color Display



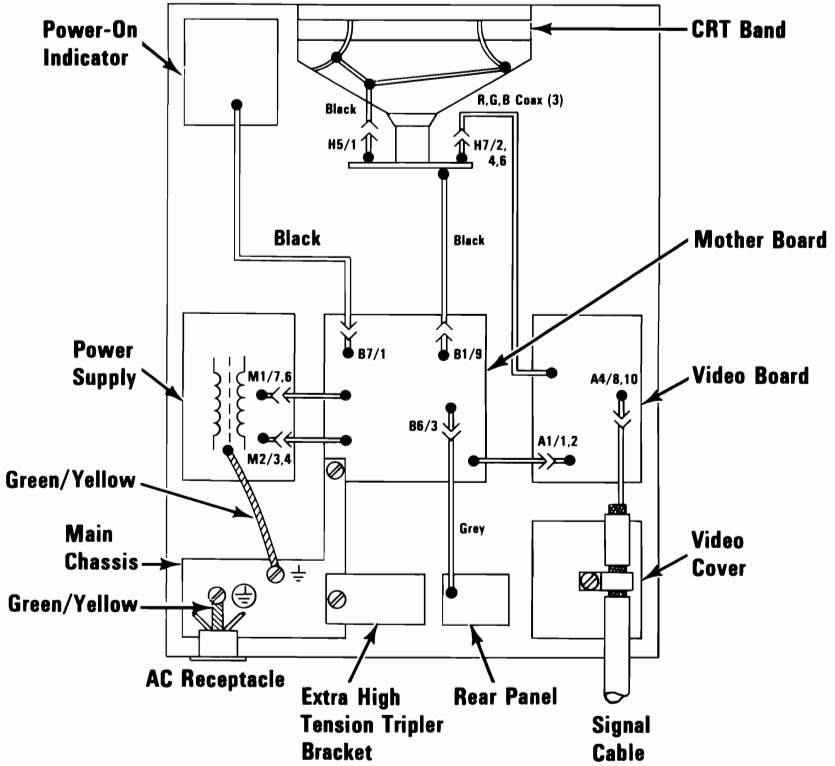
### Legend

	Screw Connection		Ground Lead
	Soldered Connection		Primary Ground
	Plugged Connection		Chassis Ground







Note: Points 103, 105, 110, 111, 112, 113, and P201:1&2 on main board are joined by printed circuit lands.

- 1** Not present on U.S. displays
- 2** Present only on Model-2 displays

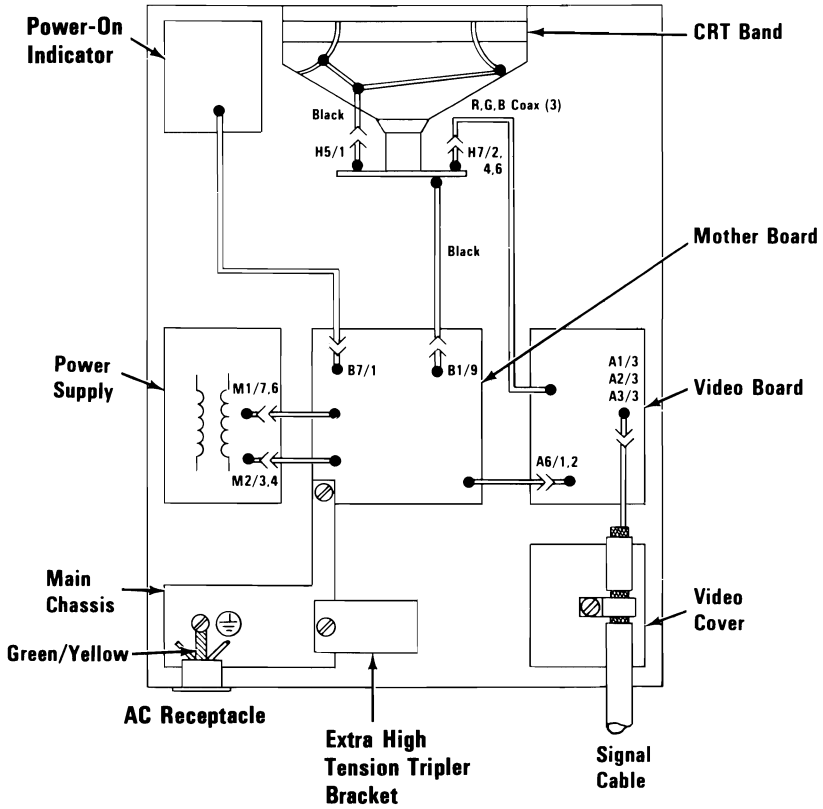
# IBM Enhanced Color Display








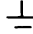
## Legend

	Screw Connection		Ground Lead
	Soldered Connection		Primary Ground
	Plugged Connection		Chassis Ground

# IBM Professional Graphics Display



## Legend

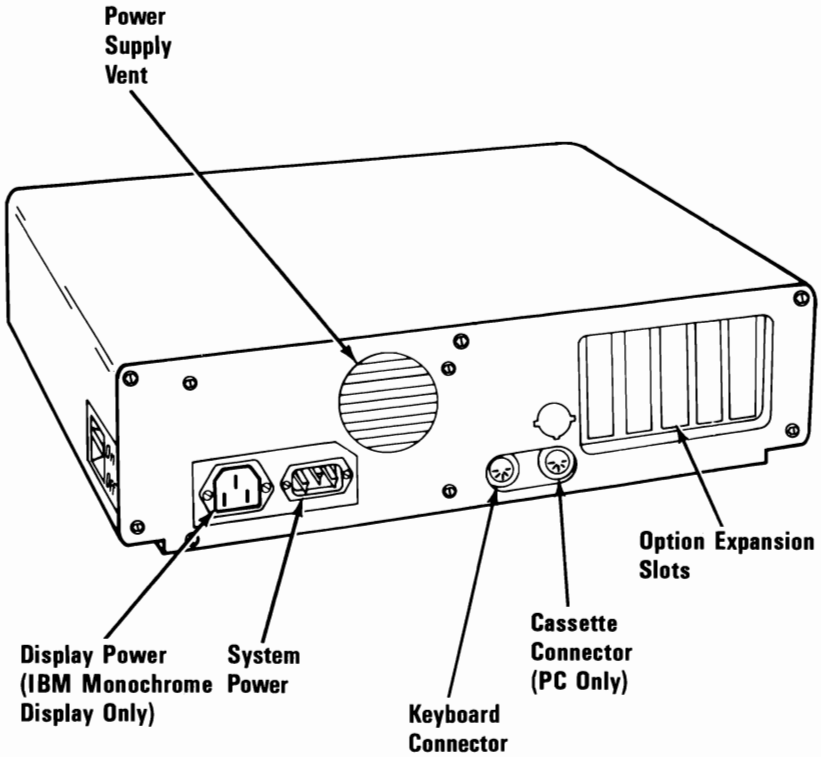
	Screw Connection		Ground Lead
	Soldered Connection		Primary Ground
	Plugged Connection		Chassis Ground

# Locations

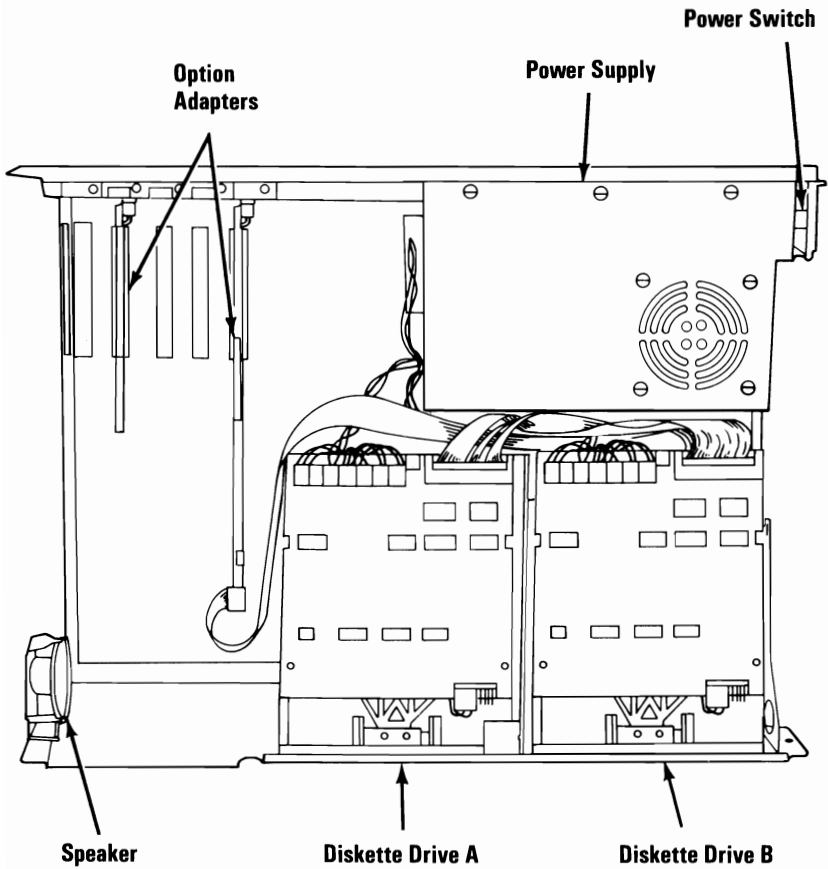
Switch settings and jumper locations are found in the *Hardware Maintenance Service* manual.

## IBM Personal Computer

### Rear View



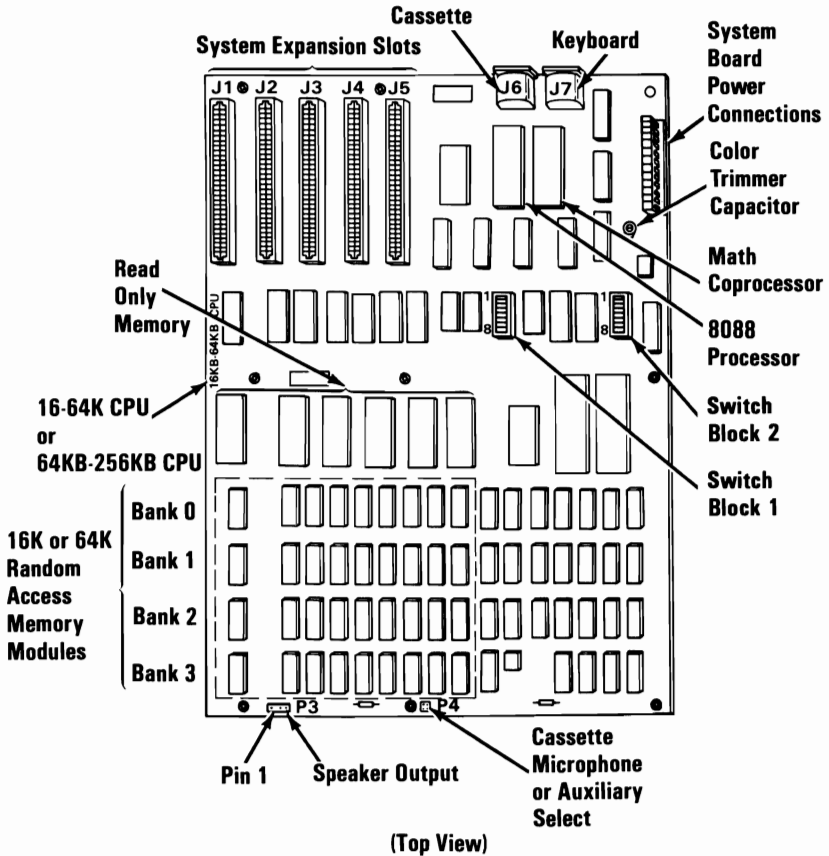
# Top View



# System Board

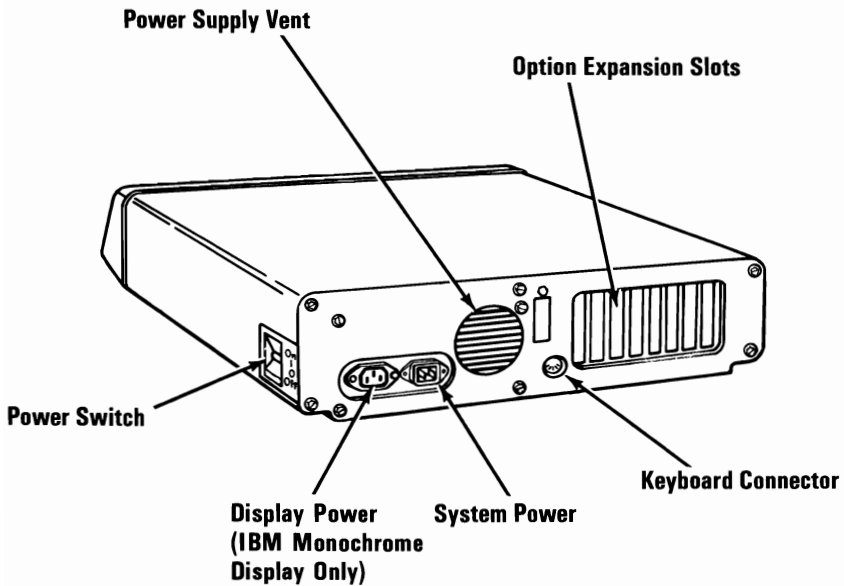
The 16KB-64KB system board uses 16KB memory modules.

The 64KB-256KB system board uses 64KB memory modules.



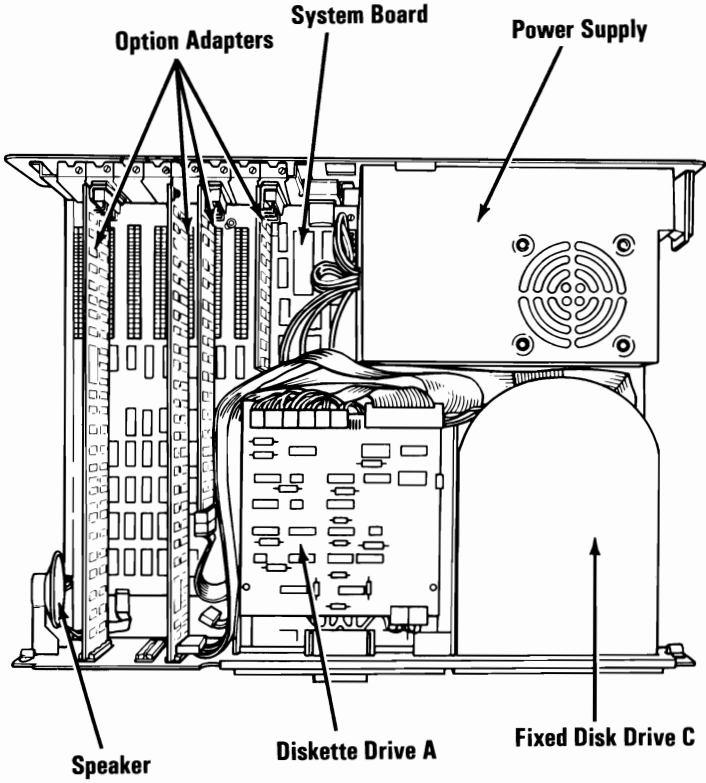
# IBM Personal Computer XT

## Rear View



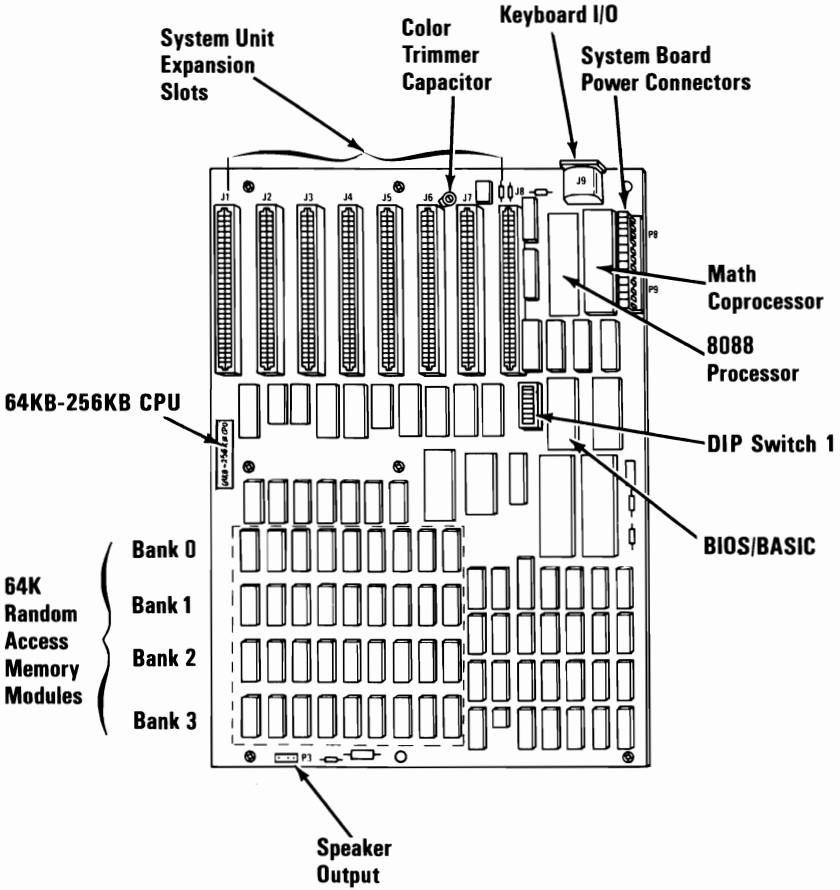


# Top View



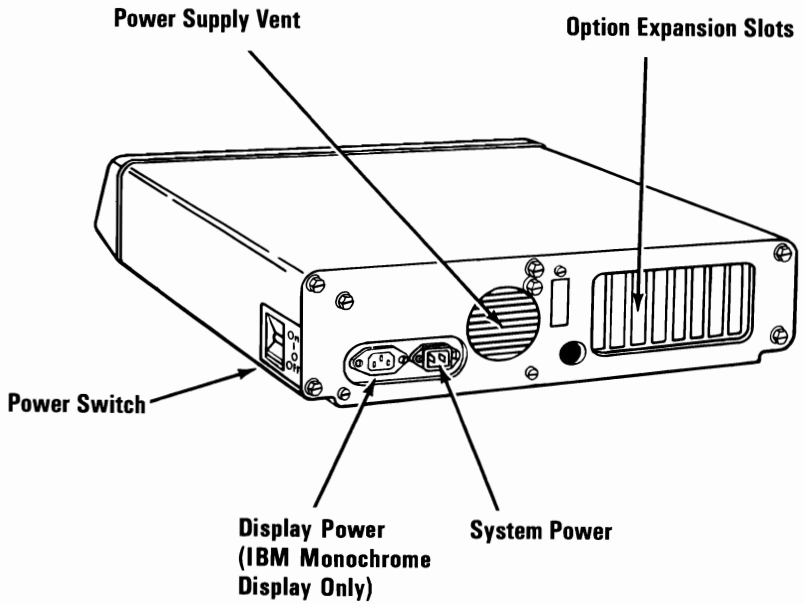
# System Board

The 64-256KB system board uses 64KB memory modules.

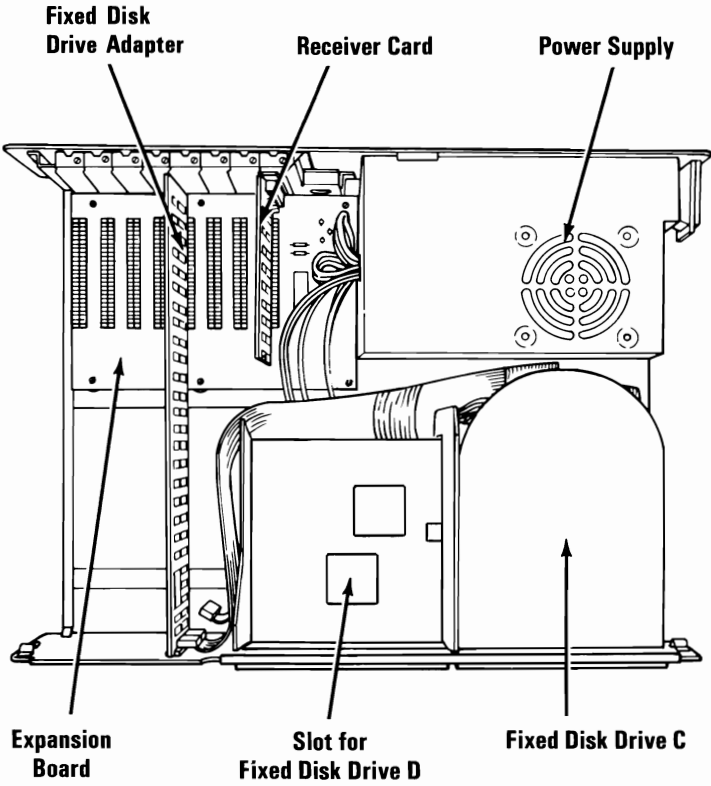


# Expansion Unit

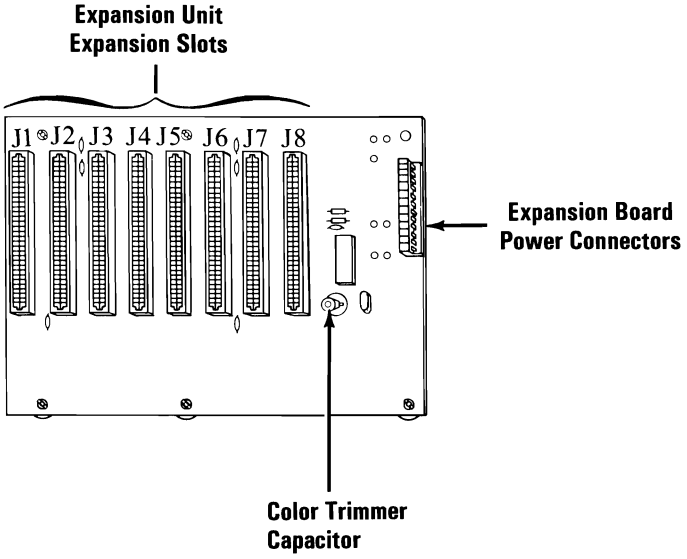
## Rear View



# Top View

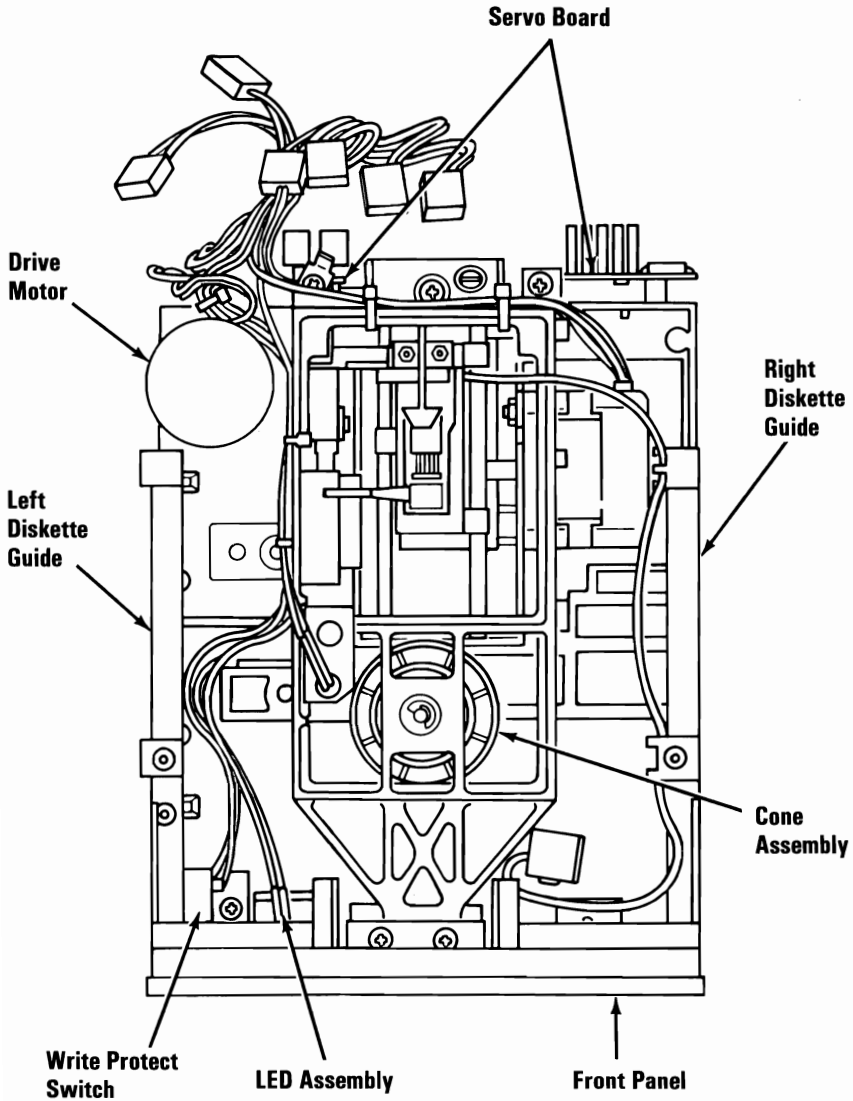


# Expansion Board

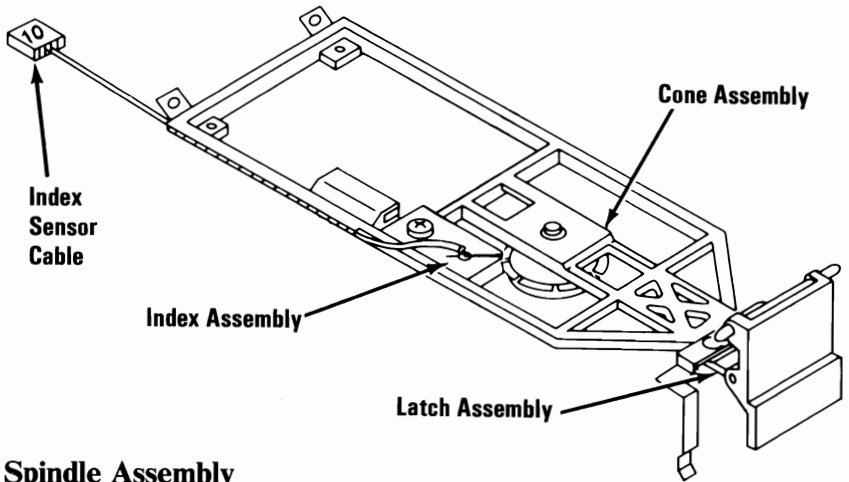


# Diskette Drives

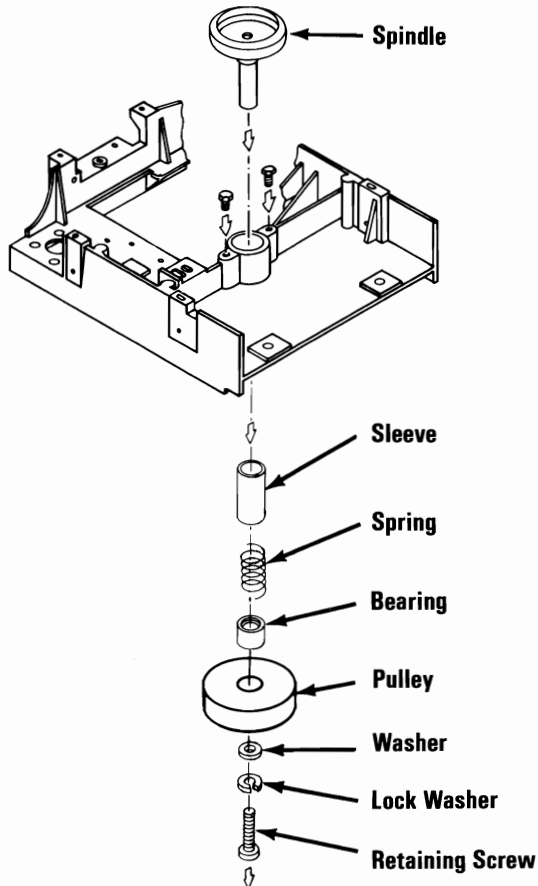
## Full High Diskette Drive Assembly - Type 1



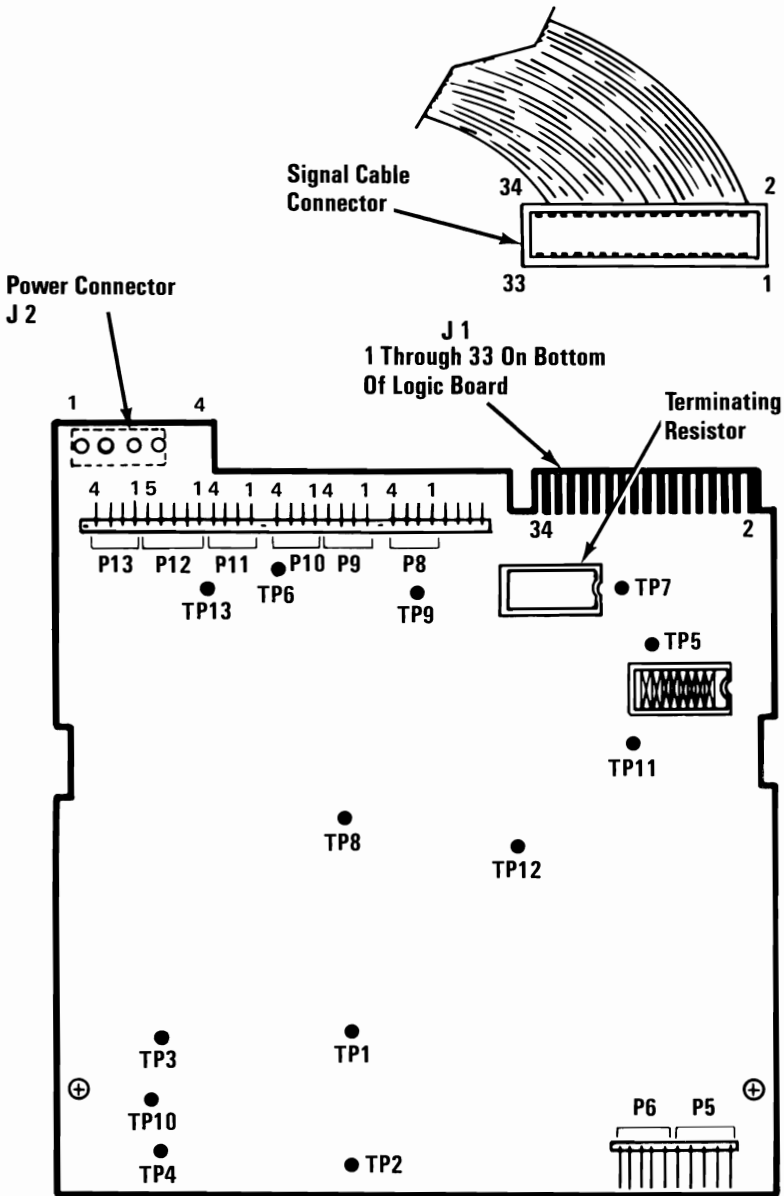
## Cone Lever Arm



## Spindle Assembly

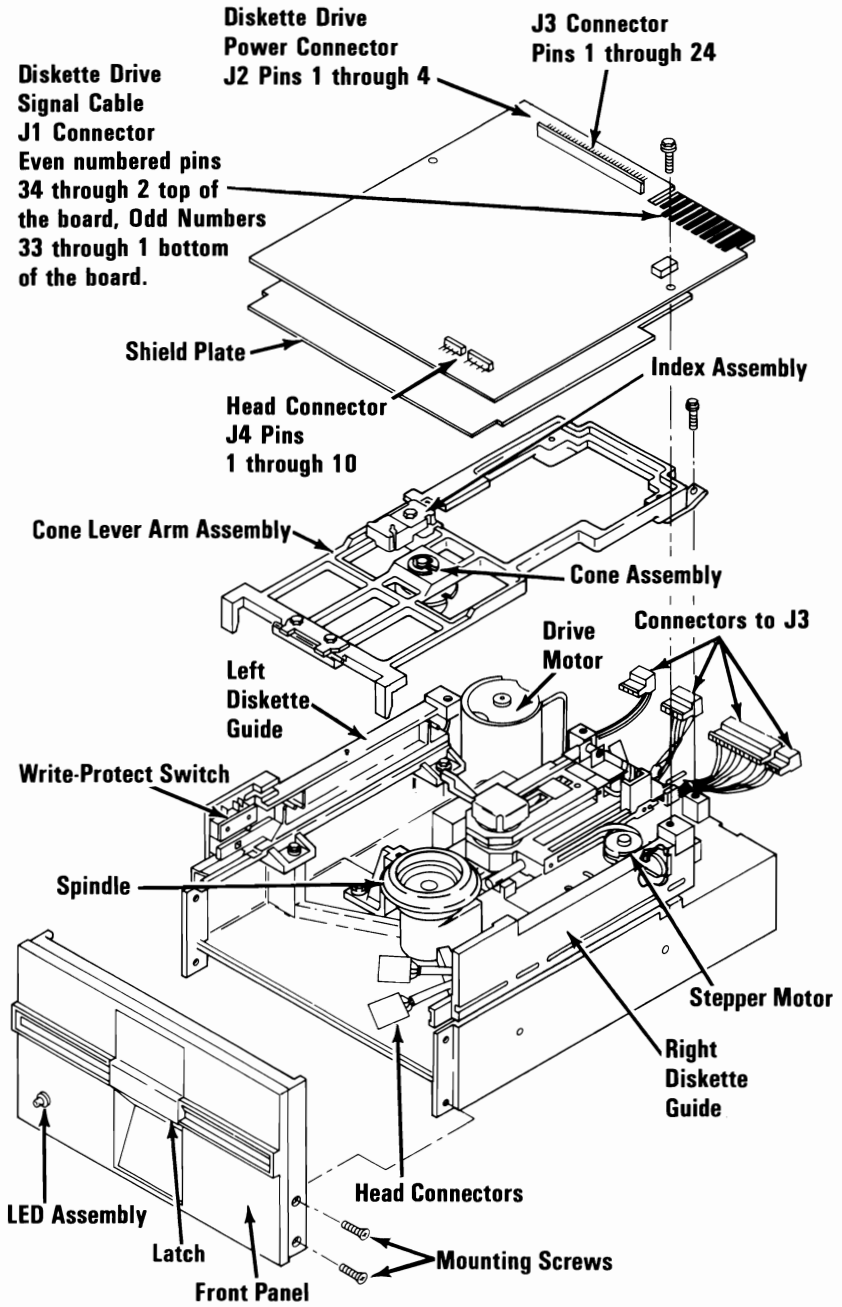


# Logic Board

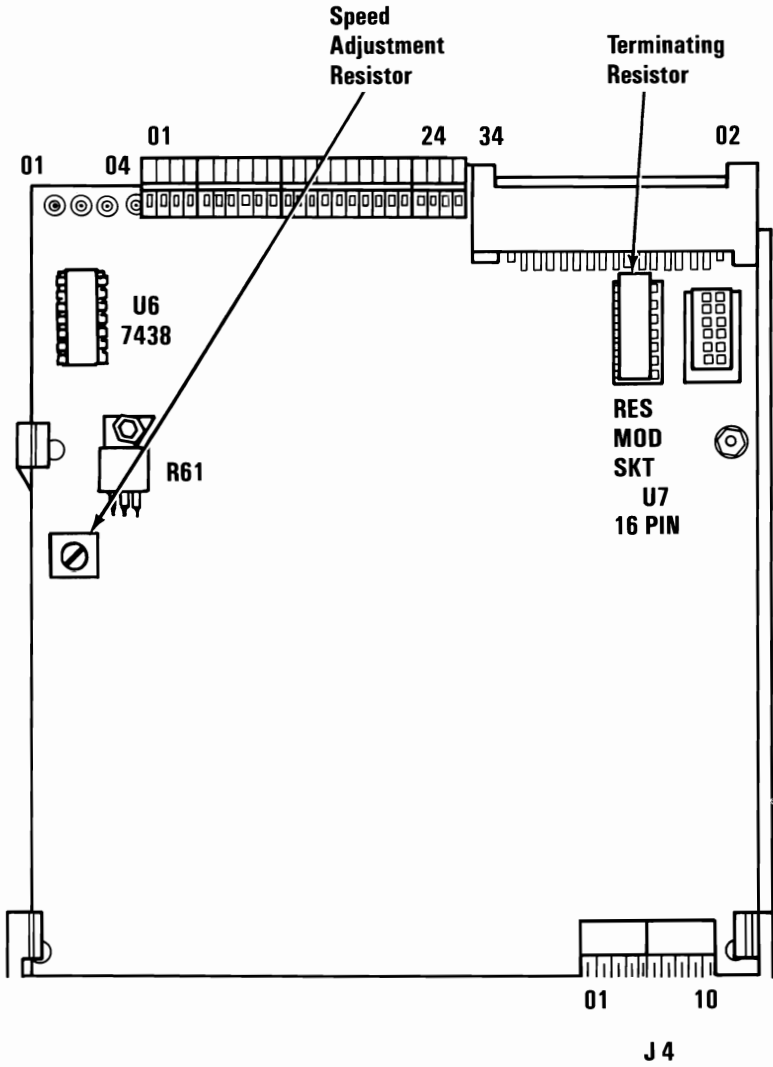




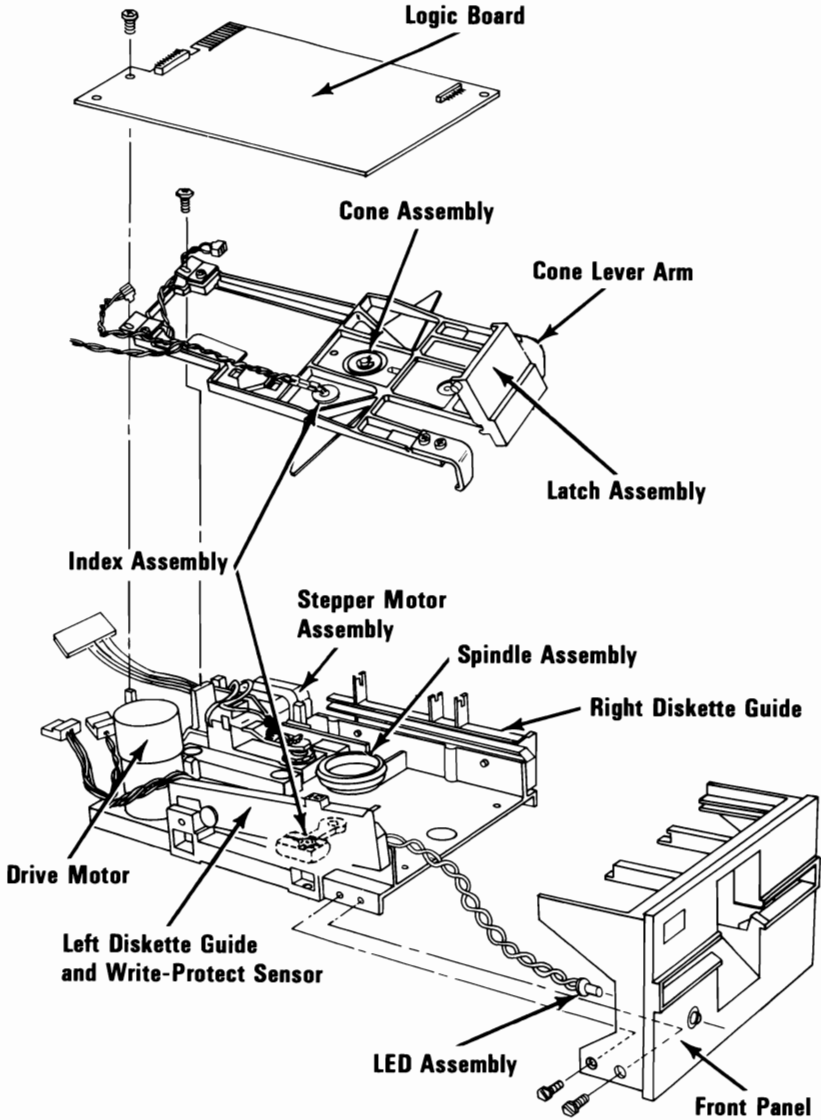
# Full High Diskette Drive Assembly - Type 2



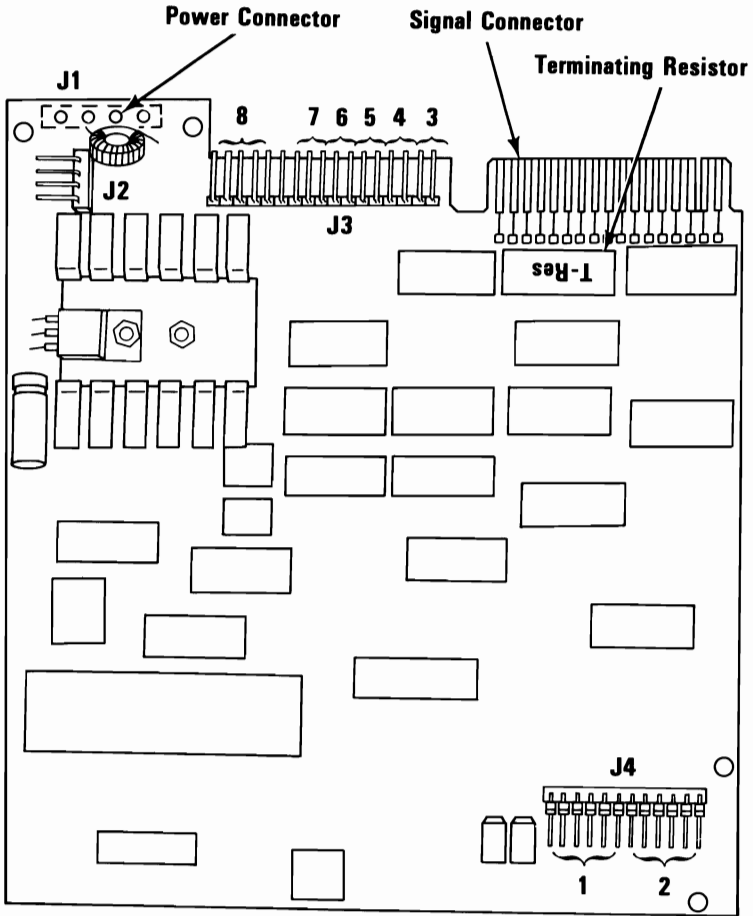
# Logic Board



# Full High Diskette Drive Assembly - Type 3

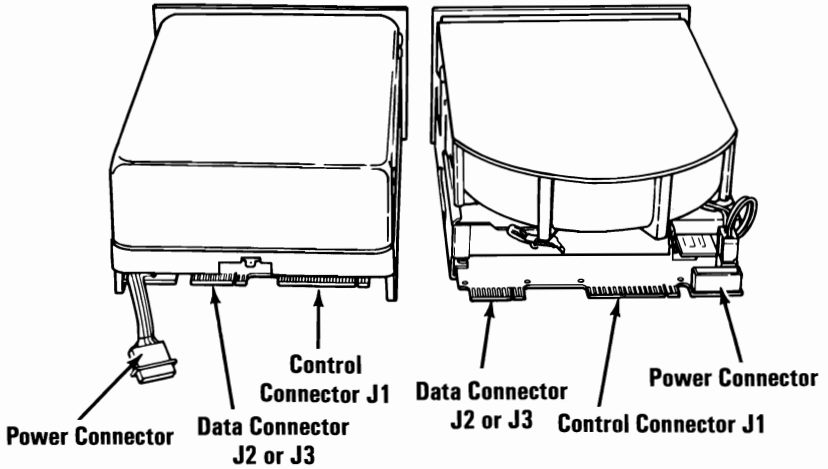


# Logic Board



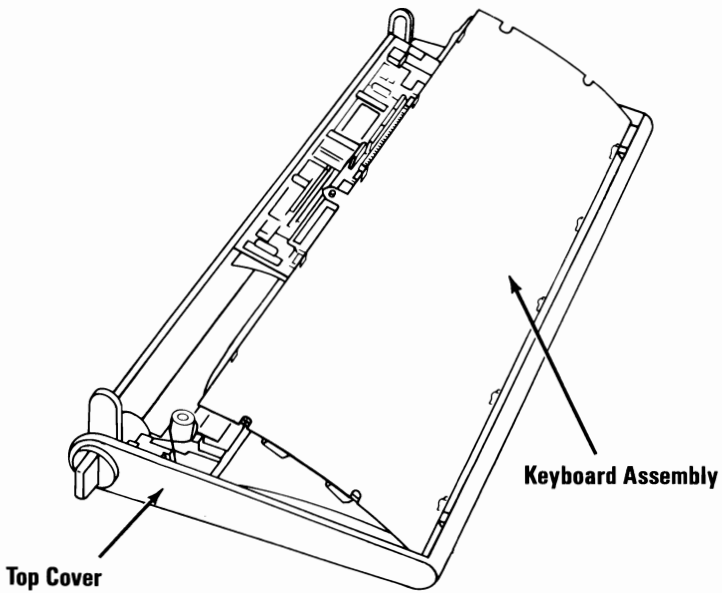
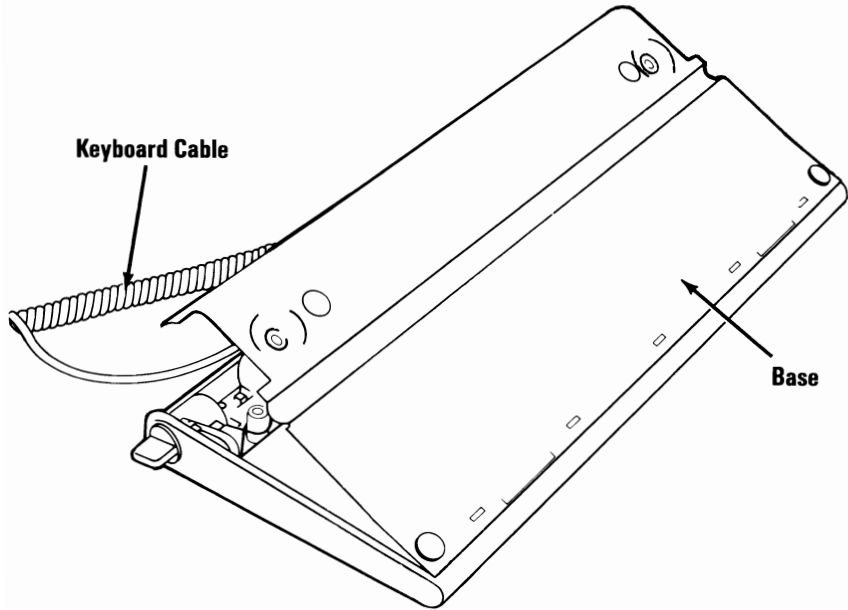
# Fixed Disk Drive

**Note:** Fixed disk drives may vary in appearance and connector location.



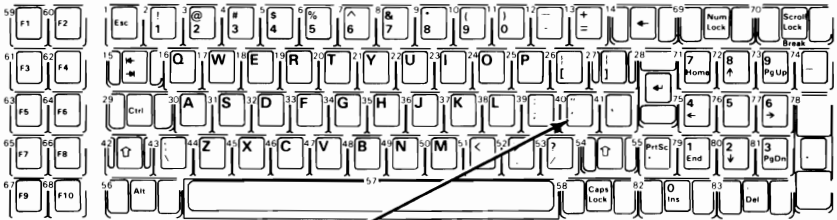
# Keyboards

## 83-Key Keyboard

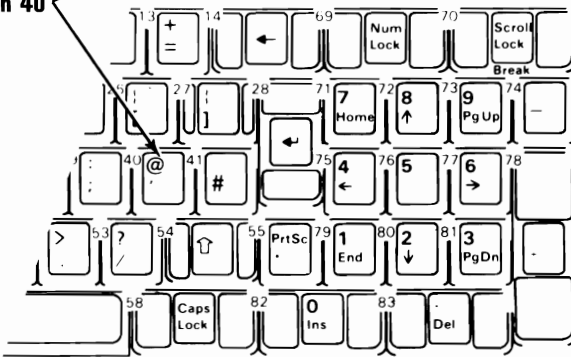


# National Language Keyboard Types (83-Key)

Look at the characters in position 40 on the keyboard and compare them with those in the chart to determine which language keyboard you have.



**Position 40**



If Position 40 is:	The Keyboard is:
' / "	U.S. (English)
' / @	UK (English)
`u / %	French
¨ Ä	German
`a / #	Italian
; / :	Spanish

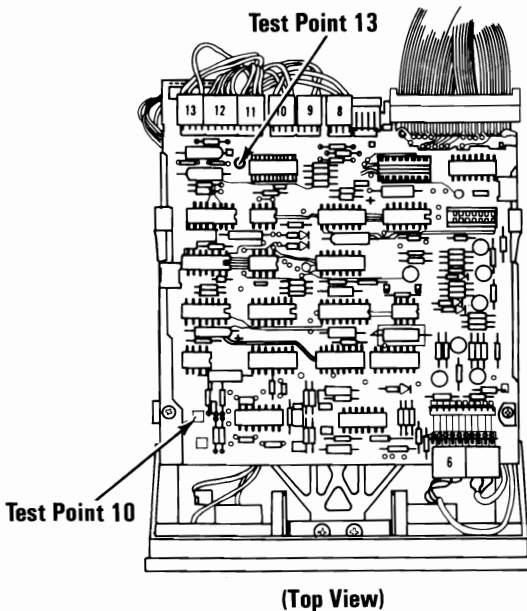
# Adjustments

## Full High Diskette Drive - Type 1

Use this procedure for diskette drive A or B when the Advanced Diagnostics program will not load or the Diagnostics Speed Test cannot be performed. Fluorescent lighting is needed to see the strobe effect in this test.

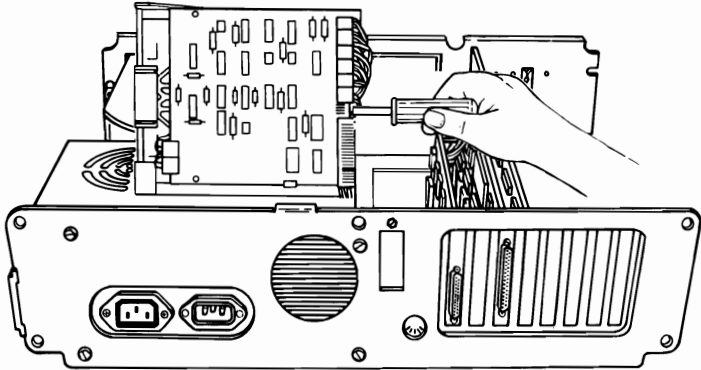
### Drive-Motor Preliminary Speed

1. Power off the system.
2. Remove the system unit cover (1005).
3. Remove the diskette drive.
4. Insert a scratch diskette into the diskette drive.
5. Connect a jumper between test points 10 and 13 on the diskette-drive logic board.



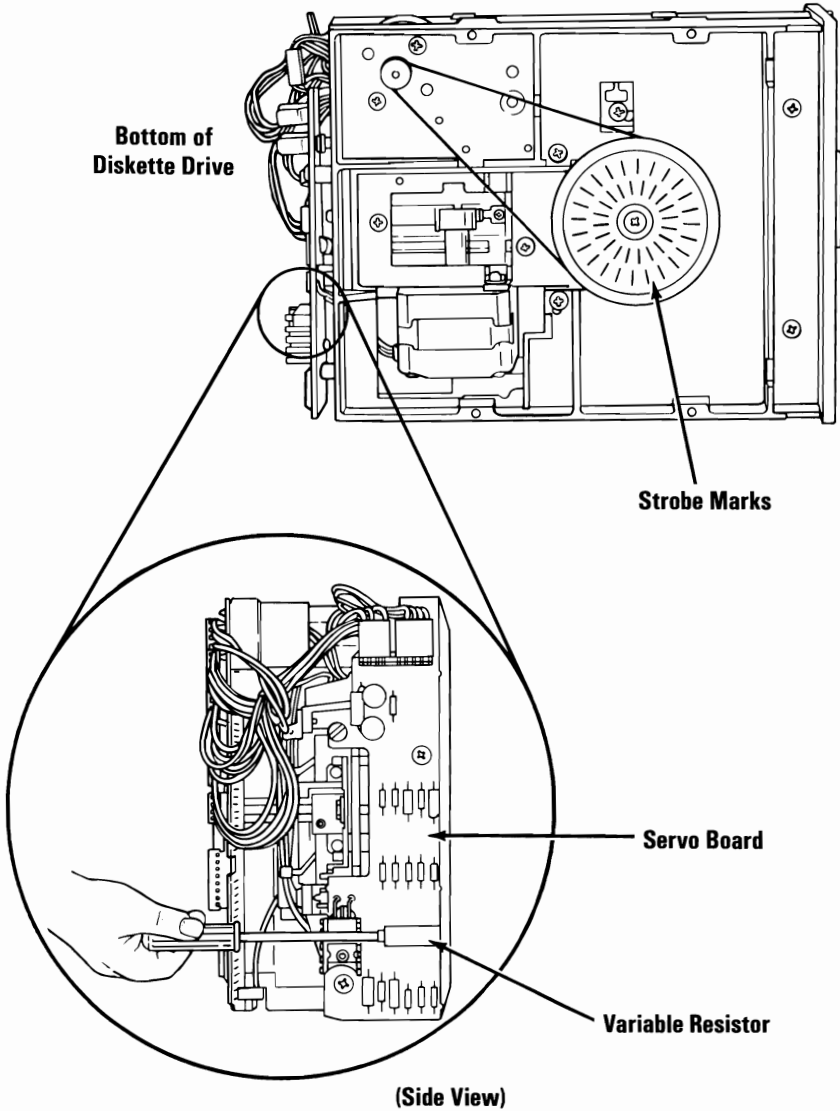


6. Place the diskette drive (left side up) on the system-unit power supply.
7. Plug the power connector into the diskette-drive logic board; leave the signal cable disconnected.
8. Plug the system-unit power cord into the system unit, then into the outlet.
9. Power on the system.



(Rear View)

10. Under fluorescent lighting, observe the strobe marks on the drive pulley. One of the two rings of marks should appear to stand still. (The outer ring of strobe marks is for 60 hertz, and the inner ring is for 50 hertz.) If a ring of marks does not appear to stand still, the diskette drive is not operating at the correct speed.



11. Power off the system.
12. Install the diskette drive.
13. Turn to "Drive-Motor Speed" and ensure the speed is within specification. Adjust if necessary.
14. Install the cover of the system unit.
15. Connect all cables.

## Drive-Motor Speed

1. Insert the Advanced Diagnostics diskette.
2. Power on the system unit.
3. Load the diskette drive diagnostic tests.
4. Select 4 (**SPEED TEST**) for the diskette drive you are testing. The diskette drive speed and adjustment specification appear on the screen.

**Note:** If you are unable to load the Advanced Diagnostics program, or if the Speed Test will not run, go to "Drive-Motor Preliminary Speed."

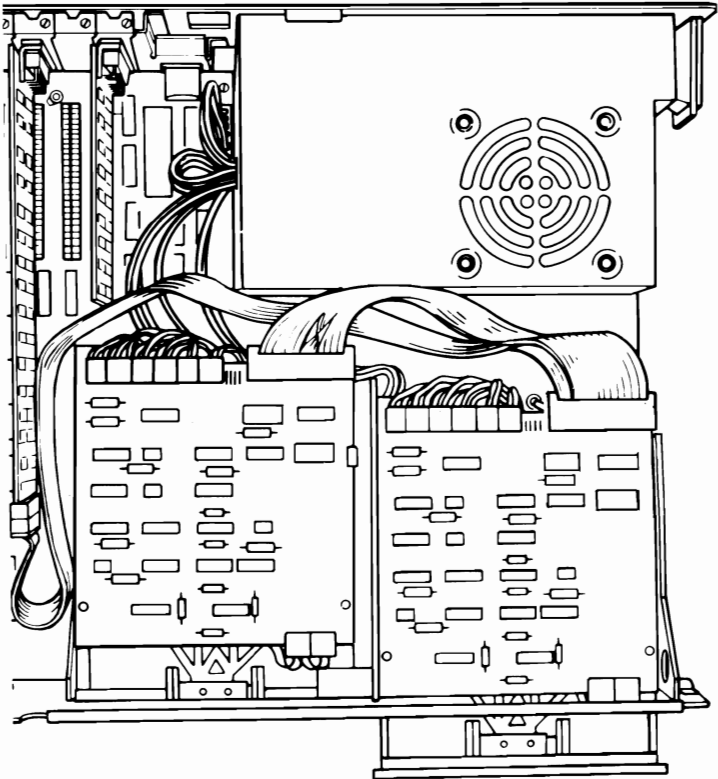
**SPEED IS 2000**

**ADJUST FOR 1970 TO 2030  
PRESS ANY KEY TO EXIT**

**SPEED IS 1999**

**ADJUST FOR 1970 TO 2030**

5. Power off the system.
6. Remove the system unit cover (**1005**).
7. Remove the two mounting screws on the diskette drive that needs adjusting.
8. Slide the diskette drive out of the system unit approximately 50 mm (2 inches).
9. Connect all cables.
10. Insert the Advanced Diagnostics diskette.
11. Power on the system.



12. Load the diskette drive diagnostic tests.
13. Select 4 (**SPEED TEST**) for the diskette drive you are adjusting. The diskette drive speed and the adjustment specification appear on the screen.

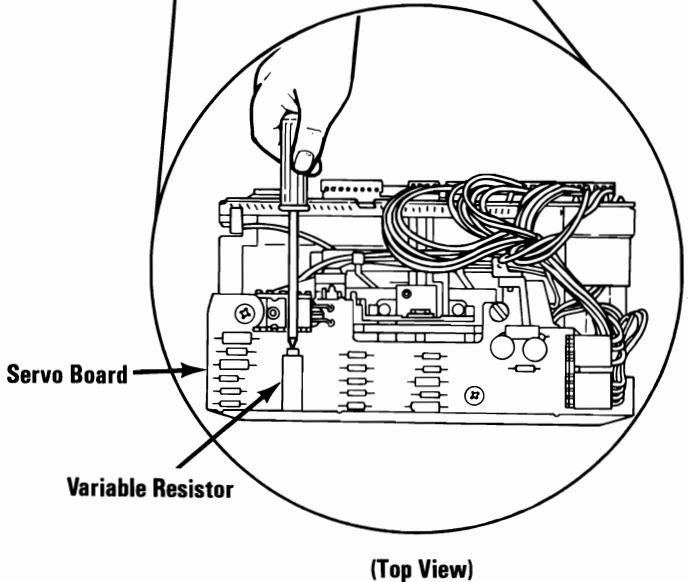
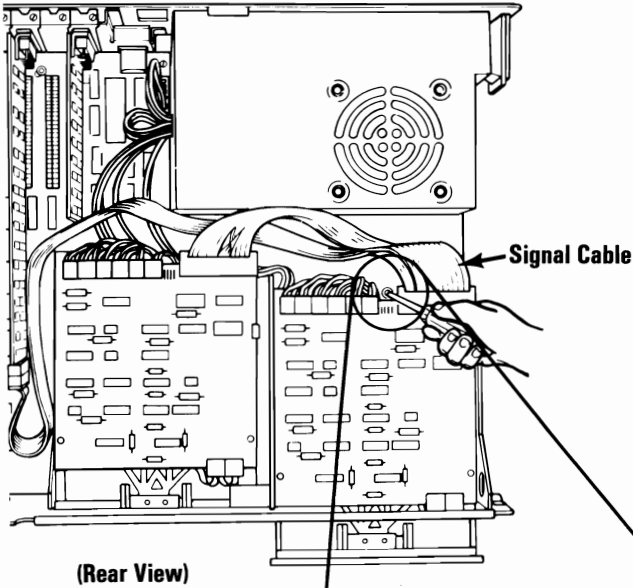
**SPEED IS 2000**

**ADJUST FOR 1970 TO 2030  
PRESS ANY KEY TO EXIT**

**SPEED IS 1999**

**ADJUST FOR 1970 TO 2030**

14. The adjustment for the diskette drive speed is a variable resistor on the servo board. To adjust the speed, carefully insert an insulated screwdriver down past the left end of the diskette-drive signal cable to the adjusting screw on top of the variable resistor.



15. Turn the screw until the speed shown on the screen is within the required specifications.

**SPEED IS 2000**

**ADJUST FOR 1970 TO 2030  
PRESS ANY KEY TO EXIT**

**SPEED IS 1999**

**ADJUST FOR 1970 TO 2030**

16. Power off the system.
17. Unplug the system unit power cord (and expansion unit) from the outlet.
18. Install the diskette drive.
19. Install the system unit cover.
20. Connect all cables.



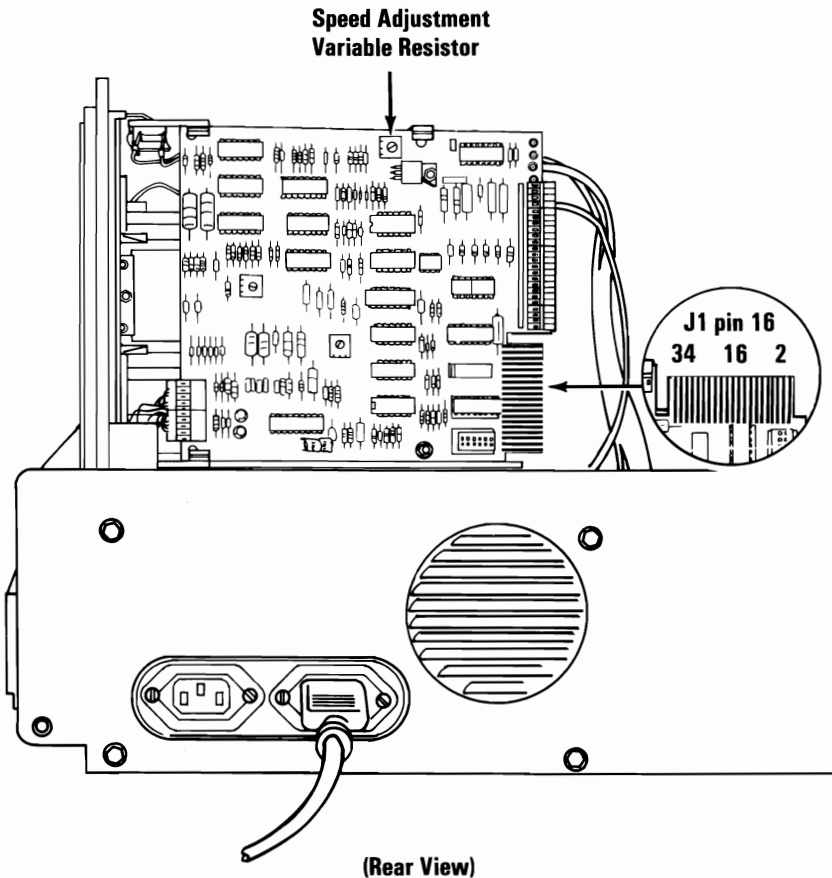
## Full High Diskette Drive - Type 2

Use this procedure for diskette drive A or B when the Advanced Diagnostics program will not load or the Diagnostics Speed Test cannot be performed. Fluorescent lighting is needed to see the strobe effect in this test.

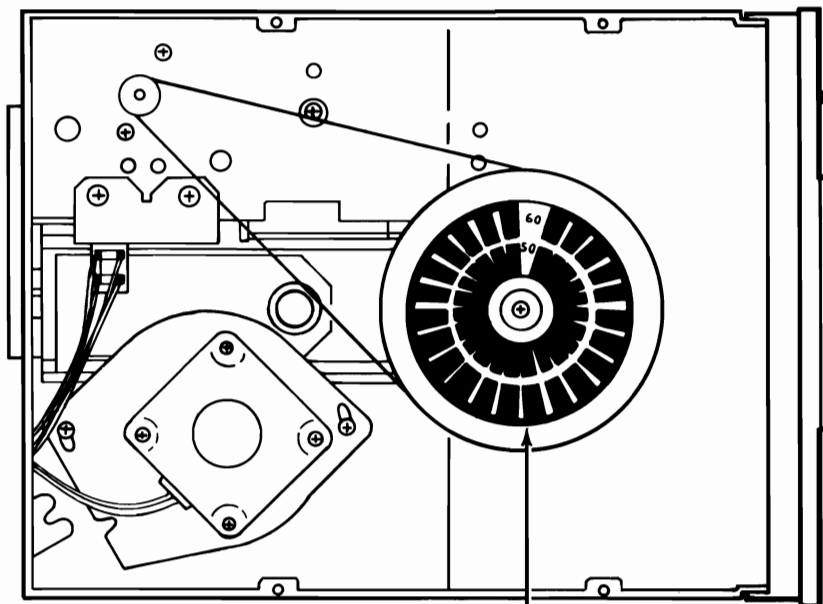
### Drive-Motor Preliminary Speed

1. Power off the system.
2. Remove the system unit cover (**1005**).
3. Remove the diskette drive.
4. Insert a scratch diskette into the diskette drive.

5. Place the diskette drive (left side up) on the system unit power supply.
6. Connect a jumper between J1 pin 16 on the diskette-drive logic board and ground.
7. Plug power connector P3 into the diskette-drive logic board.
8. Plug the system unit power cord into the system unit, then into the outlet.
9. Power on the system unit.



10. Under fluorescent lighting, observe the strobe marks on the drive pulley. One of the two rings of marks should appear to stand still. (The outer ring of strobe marks is for 60 hertz, and the inner ring is for 50 hertz.) If a ring of marks does not appear to stand still, the diskette drive is not operating at the correct speed.



**Bottom of the  
Diskette Drive**

**Strobe Marks**

11. Power off the system.
12. Disconnect the system unit power cord from the outlet.
13. Disconnect the system unit power cord from the rear of the system unit.
14. Install the diskette drive.
15. Turn to "Drive-Motor Speed" and ensure the speed is within specification. Adjust if necessary.
16. Install the system unit cover.
17. Connect all cables.

## Drive-Motor Speed

1. Insert the Advanced Diagnostics diskette.
2. Power on the system.
3. Select 4 (**SPEED TEST**) for the diskette drive you are testing. The diskette drive speed and adjustment specification appear on the screen.

**Note:** If you are unable to load the Advanced Diagnostics program, or if the Speed Test will not run, go to the "Drive-Motor Preliminary Speed."

**SPEED IS 2000**

**ADJUST FOR 1970 TO 2030  
PRESS ANY KEY TO EXIT**

**SPEED IS 1999**

**ADJUST FOR 1970 TO 2030**

4. Power off the system.
5. Remove the system unit cover (**1005**).
6. Connect all cables.
7. Insert the Advanced Diagnostics diskette.
8. Power on the system.
9. Load the diskette drive diagnostic tests.
10. Select 4 (**SPEED TEST**) for the diskette drive you are adjusting. The diskette drive speed and the adjustment specification appear on the screen.

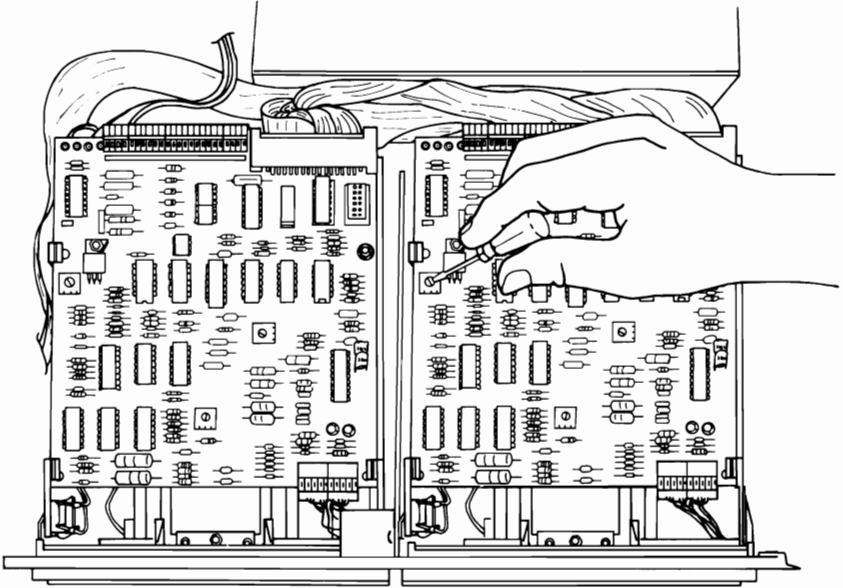
**SPEED IS 2000**


**ADJUST FOR 1970 TO 2030  
PRESS ANY KEY TO EXIT**

**SPEED IS 1999**

**ADJUST FOR 1970 TO 2030**

11. The adjustment for the diskette drive speed is a variable resistor on the diskette-drive logic board. To adjust the speed, carefully insert an insulated screwdriver into the screw on the top of the variable resistor.



12. Turn the screw until the speed shown on the screen is within the required specifications.
13. Power off the system.
14. Unplug the system unit (and expansion unit) power cord from the outlet. 
15. Install the system unit cover.
16. Connect all cables.

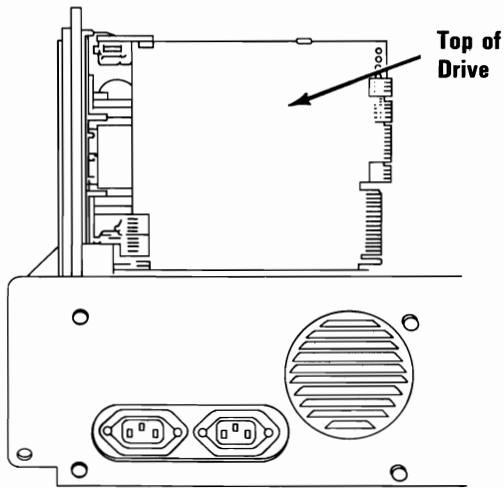


## Full High Diskette Drive - Type 3

Use this procedure for diskette drive A or B when the Advanced Diagnostics program will not load or the Diagnostics Speed Test cannot be performed. Fluorescent lighting is needed to see the strobe effect in this test.

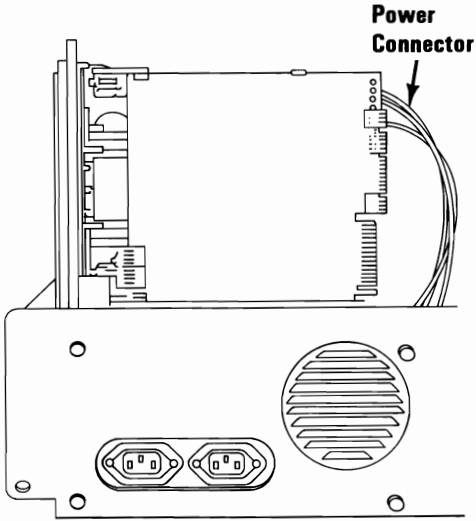
### Drive-Motor Preliminary Speed

1. Power off the system.
2. Remove the system unit cover (1005).
3. Remove the diskette drive.
4. Place the diskette drive (left side up) on the system unit power supply as shown below.



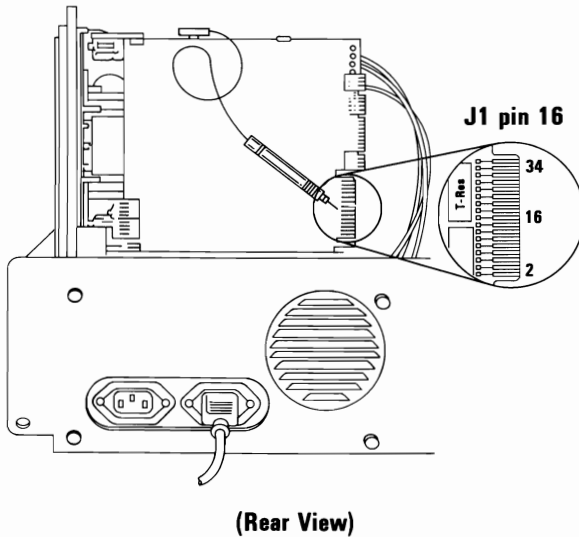
(Rear View)

5. Plug the power connector into the logic board and leave the signal cable unplugged.

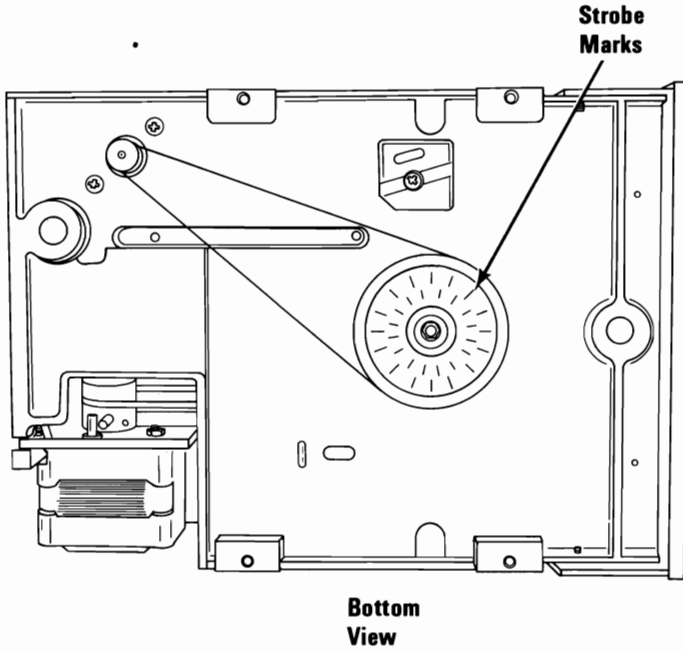


(Rear View)

6. Plug the power cord into the system unit, then into the outlet.
7. Power on the system.
8. Using a meter probe, connect one end of the probe to the diskette drive frame ground (inserting it into one of the diskette drive mounting screw holes may work well).
9. Touch the other end of the meter probe to pin 16 of the logic board signal connector. The diskette drive motor will run as long as the probe touches pin 16.



10. Under fluorescent lighting, observe the strobe marks on the drive pulley. One of the two rings of marks should appear to stand still. (The outer ring is for 60 hertz, and the inner ring is for 50 hertz.) If a ring of marks does not appear to stand still, the diskette drive is not operating at the correct speed.



## Drive-Motor Speed

This is a test to check the drive motor speed of the Type 3 diskette drive. The drive motor speed is not adjustable.

1. Insert the Advanced Diagnostics diskette.
2. Power on the system.

**Note:** If you are unable to load the Advanced Diagnostics program, or the Speed Test will not run, go to the "Drive-Motor Preliminary Speed Test."

3. Go to the diskette drive tests.
4. Select option 4 (SPEED TEST) for the diskette drive you are testing. The diskette drive speed and speed specification appear on the screen.

If the speed is not within the specification, go to *Hardware Maintenance Service* manual, "MAP 0000: Start."

**SPEED IS 2000**

**ADJUST FOR 1970 TO 2030  
PRESS ANY KEY TO EXIT**

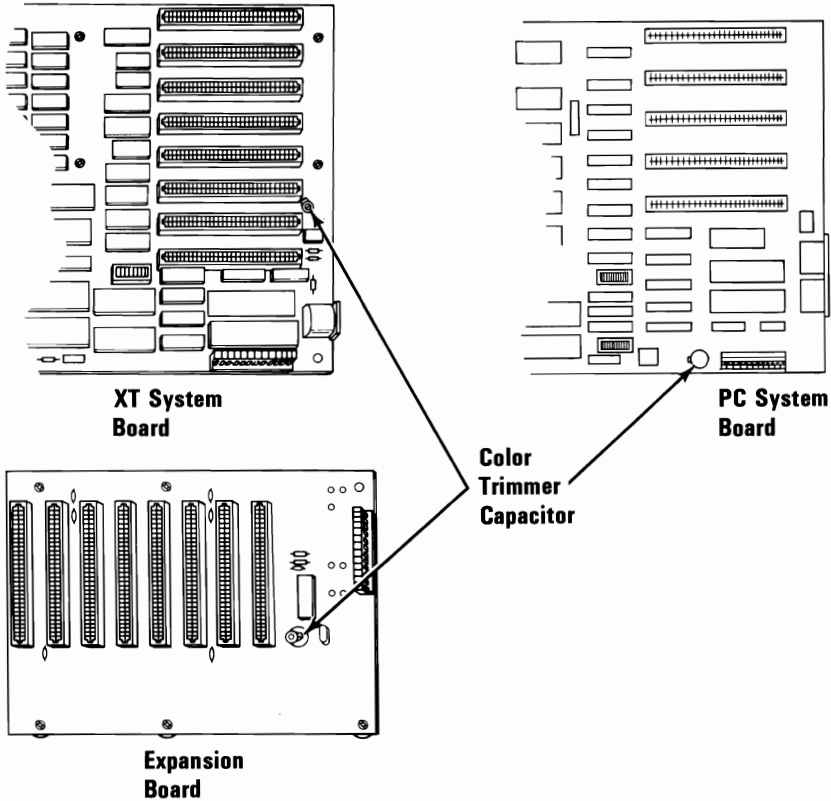
**SPEED IS 1999**

**ADJUST FOR 1970 TO 2030**

# Color Trimmer Capacitor Adjustment

If the color is missing or the wrong hue, adjust the trimmer capacitor, which is on the system-unit system board, in small increments until the color is correct.

If you have a Color/Graphics Monitor Adapter installed in the expansion unit, adjust the trimmer capacitor, which is on the expansion board next to expansion slot 8. (Use only a nonmetallic screwdriver or aligning tool.)

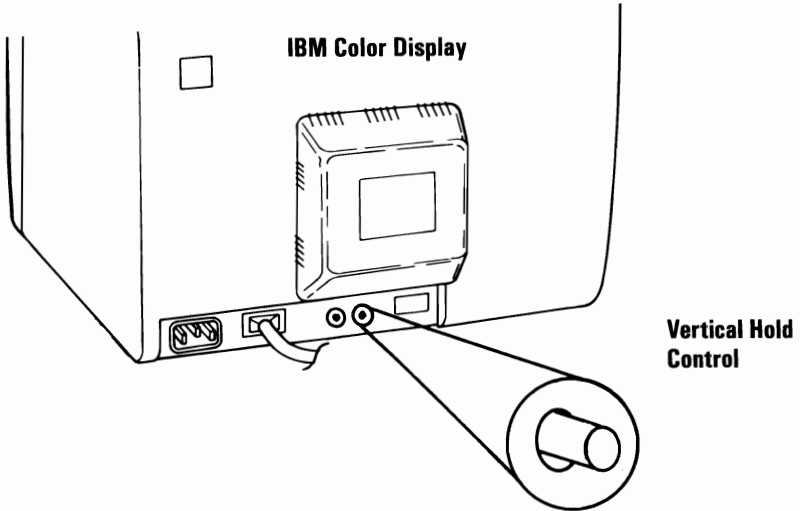


# IBM Color Display

## Vertical Hold

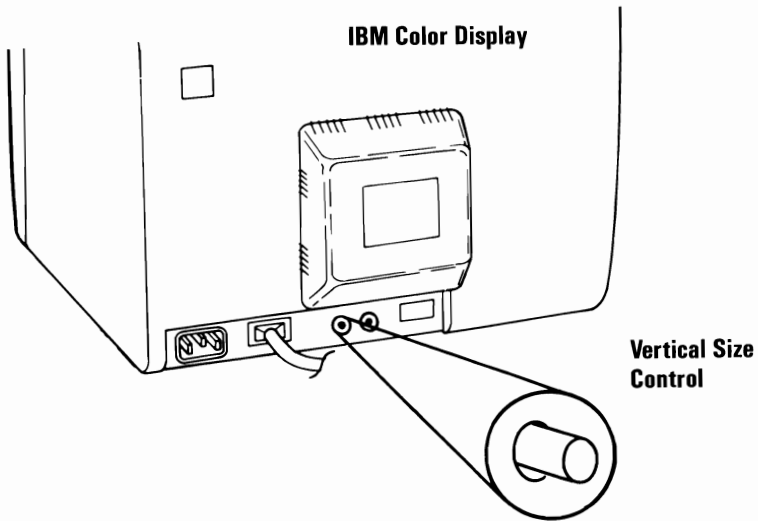
Make this adjustment only if your IBM Color Display has a vertical-hold problem (screen rolling from top-to-bottom or bottom-to-top.)

1. Power on the system.
2. Wait for the POST to complete.
3. Turn the Vertical Hold control clockwise as far as it will go, then turn it counterclockwise until the screen stops rolling and is stable.



## Vertical Size

1. Power off the system.
2. Power on the display.
3. Turn the Brightness and Contrast controls fully clockwise.
4. Turn the Vertical Size control fully counterclockwise. A black area appears across the top and bottom of the screen.
5. Turn the Vertical Size control clockwise until the black areas just disappear. If one of the black areas disappears before the other, continue to turn the control until the second black area is gone.
6. Adjust the Brightness and Contrast controls for eye comfort.

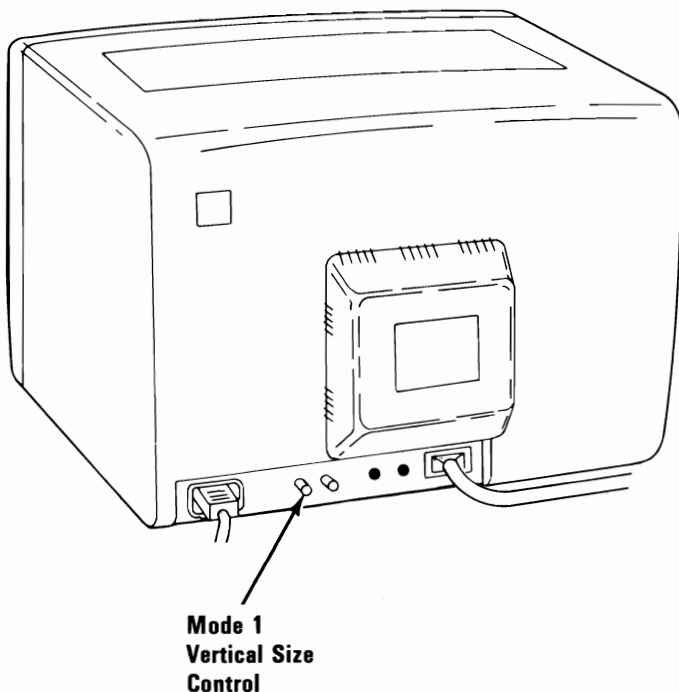




# IBM Enhanced Color Display

## Vertical Size Adjustment - Mode 1

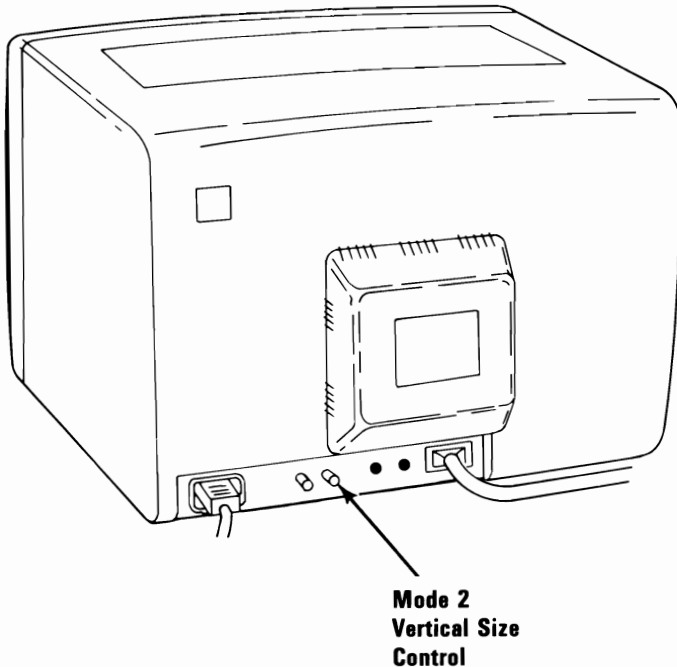
1. Power off the system.
2. Power on the Enhanced Color Display.
3. Turn the Brightness control fully clockwise.
4. Turn the Mode 1 Vertical Size control fully counterclockwise. A black area appears across the top and bottom of the screen.
5. Turn the Vertical Size control clockwise until both black areas disappear.
6. Adjust the Brightness control for eye comfort.



## Vertical Size Adjustment - Mode 2

To make this adjustment, this display must be connected to a IBM Enhanced Graphics Adapter operating in the Enhanced Color Mode.

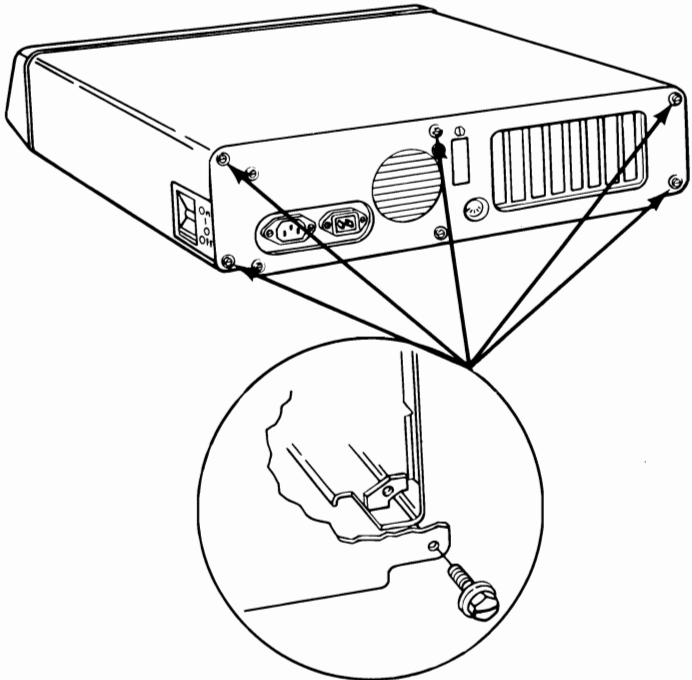
1. Power on the Enhanced Color Display.
2. Turn the Brightness control fully clockwise.
3. Power on the system.
4. Wait for the POST to complete.
5. Adjust the Mode 2 Vertical Size control until the black areas at the top and bottom are approximately the same size as the black areas at the sides.
6. Adjust the Brightness control for eye comfort.



# Removals and Replacements

## Cover 1005

- IBM Personal Computer
  - IBM Personal Computer XT
  - IBM Personal Computer Expansion Unit.
1. Power off the system.
  2. Unplug the system unit power cord.
  3. Move all external options away from the work surface.
  4. Remove the cover mounting screws and slide the cover toward the front until it clears the unit.

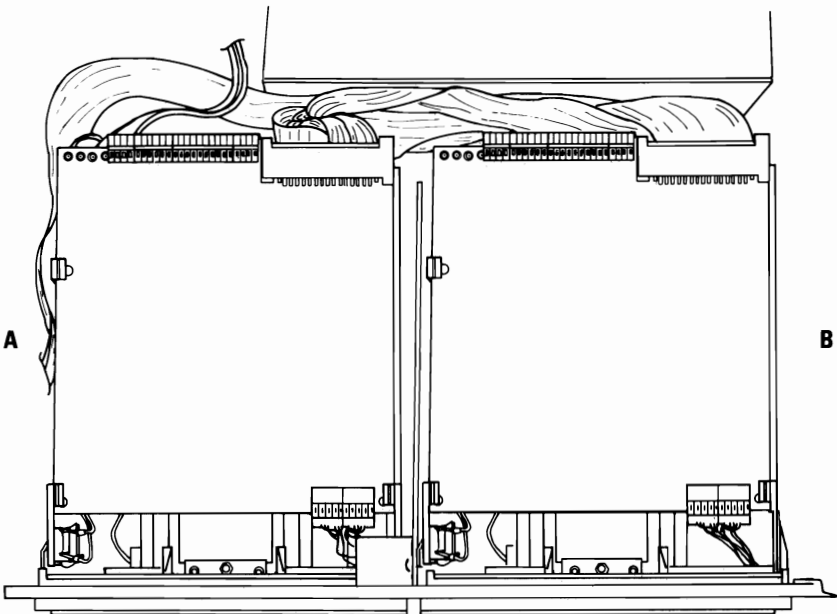


# Diskette Drives

## Full High Diskette Drive A 1010

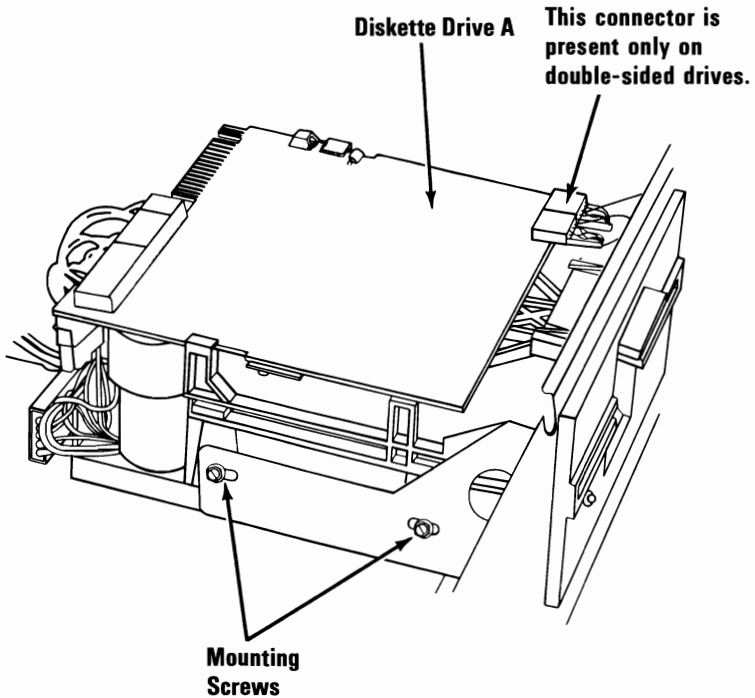
**Note:** If a fixed disk drive is present in the system, load the diagnostic diskette and run "Prepare the System for Moving," option three, to protect the drive from damage.

1. Power off the system.
2. Unplug the system unit (and expansion unit) power cord from the outlet.
3. Remove the system unit cover (**1005**).
4. Disconnect the signal cable from the diskette-drive logic board.



**Note:** You may have to remove some of the option adapters to remove the diskette-drive mounting screws.

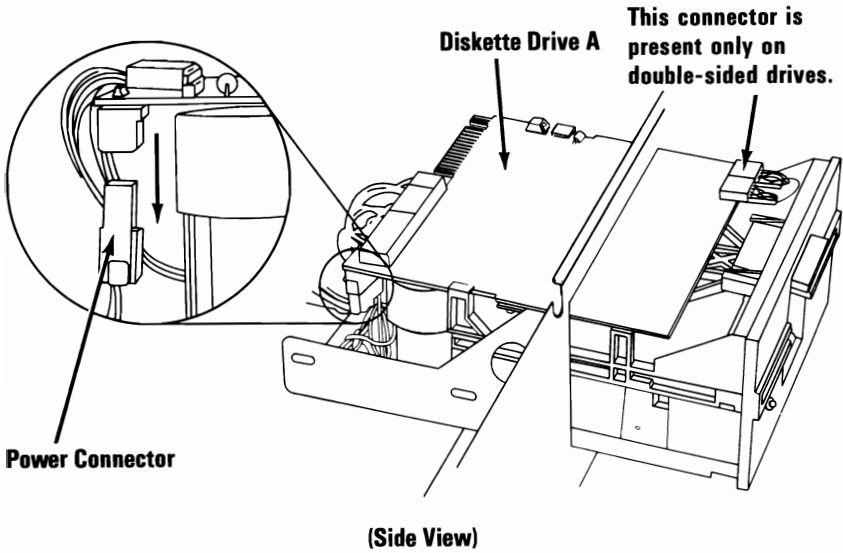
5. Remove the two mounting screws on the left side of diskette drive A.



- Slide the diskette drive approximately 50 mm (2 inches) out of the system unit. Disconnect the power connector from the diskette-drive logic board.

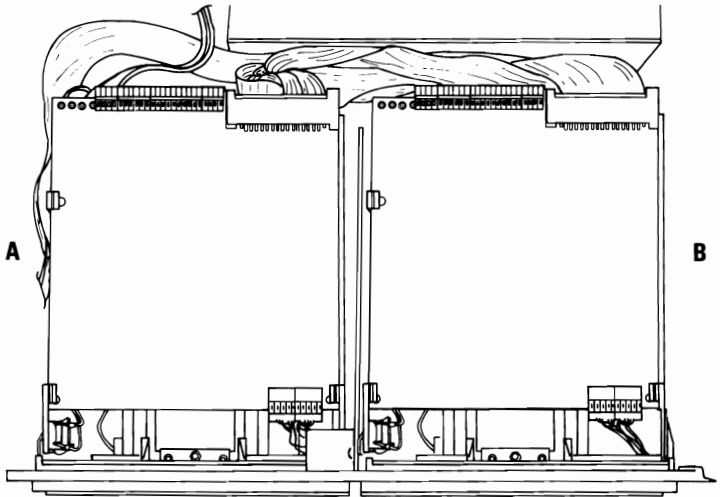
**Note:** Drive A must have a terminating resistor installed; drive B must not.

- Remove the diskette drive from the system unit.

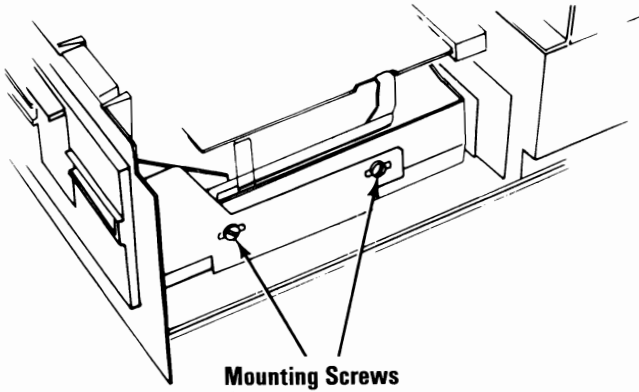


## Full High Diskette Drive B 1015

1. Power off the system.
2. Unplug the system unit (and expansion unit) power cord from the outlet.
3. Remove the system unit cover (1005).
4. Disconnect the signal cable from the diskette-drive logic board.



5. Remove the two mounting screws on the right side of diskette drive B.

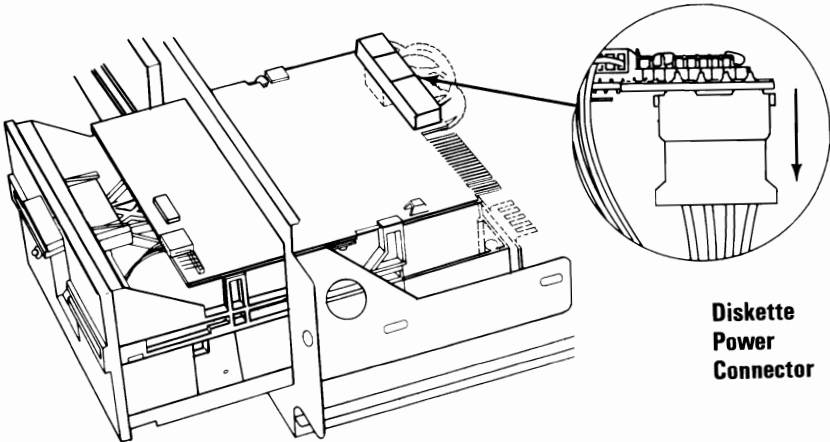


(Side View)

6. Slide the diskette drive approximately 50 mm (2 inches) out of the system unit. Disconnect the power connector from the diskette-drive logic board.
7. Remove the diskette-drive signal cable.

**Note:** Drive A must have a terminating resistor installed; drive B must not.

8. Remove the diskette drive from the system unit.



(Side View)



## **Terminating Resistor (T-RES) Removal 1020**

1. Locate the terminating resistor on the circuit board. The terminating resistor is identified by a white adhesive label with **T-RES** in black letters.
2. Pull the terminating resistor from its connector on the circuit board.

Do not remove the terminating resistor from:

Diskette Drive A

-or-

Fixed Disk Drive C.

# Fixed Disk Drive

## Drive C: 1025

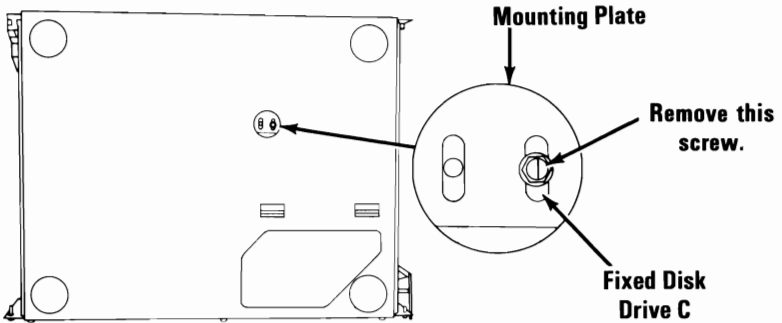
**Warning:** Normal shipping and handling can result in permanent loss of all data and formatting of the fixed disk drive. We recommend that you copy all files onto diskettes.

**Note:** Before removing the fixed disk drive, do the "Prepare System for Moving" function of the Advanced Diagnostics program.

1. Power off the system.
2. Unplug the system unit (and expansion unit) power cord from the outlet.
3. Move all external options away from the work surface.
4. Remove the (system or expansion) unit cover (**1005**).

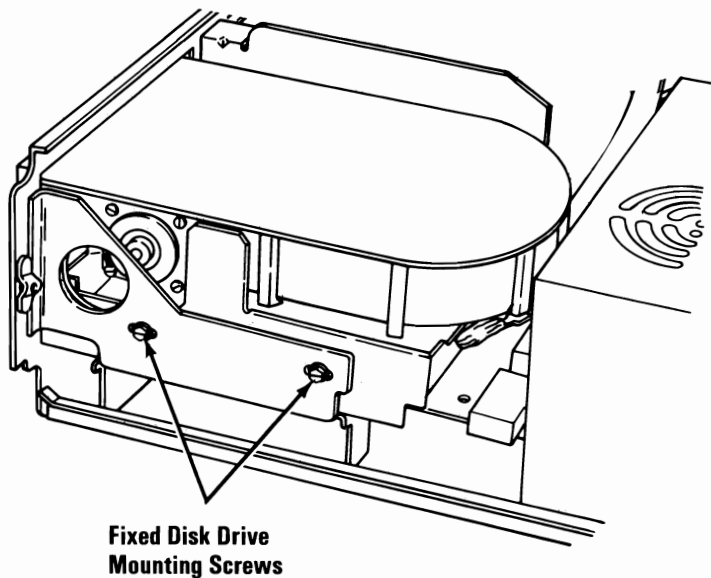
5. Tilt the unit up and remove the mounting plate screw for drive C.

**Warning:** When replacing the drive, be sure to use the same screw (short screw) that you removed from the mounting plate, or damage will result.



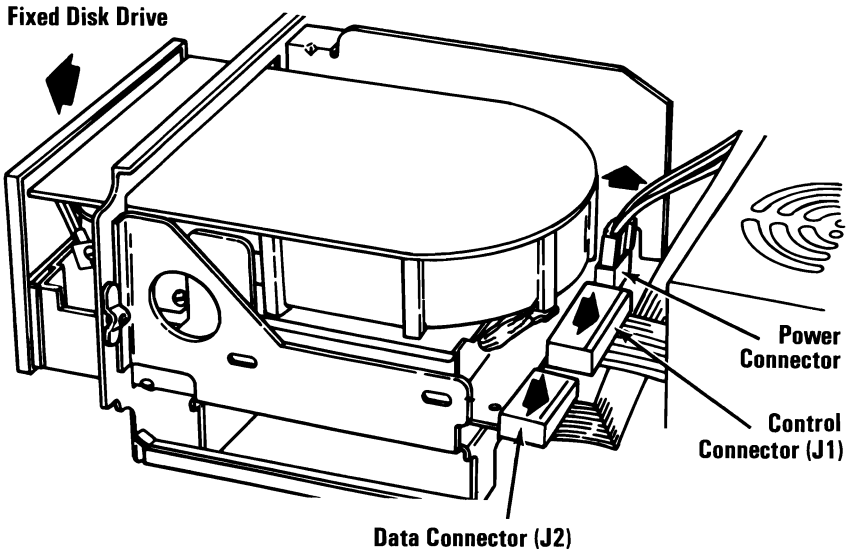
6. Remove the mounting screws on the right side of drive C.

**Warning:** When replacing the drive, be sure to use the same two mounting screws (long screws) that you removed from the side of the drive, or damage to the drive will result.

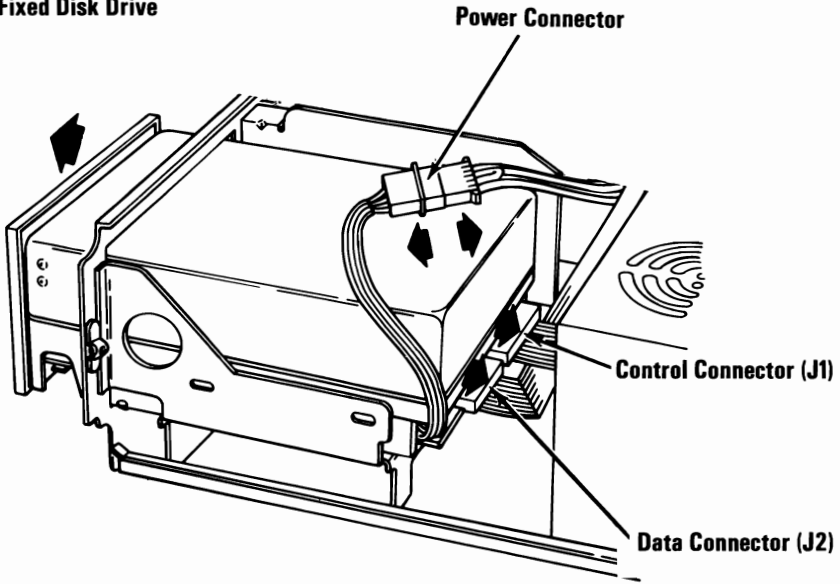


**Note:** Shown below are examples of the fixed disk drive and connectors. These may not be the same as those in your system; however, certain items are the same.

- J1, the control connector, has 34 pins.
  - J2, the data connector, has 22 pins.
  - The Power connector has 4 pins and:
    - May be mounted on the logic board or,
    - May be on a pigtail.
7. Slide the drive out approximately 50 mm (2 inches) and disconnect the control connector (J1), data connector (J2), and the power connector.
8. Remove the drive from the unit.



**Fixed Disk Drive**



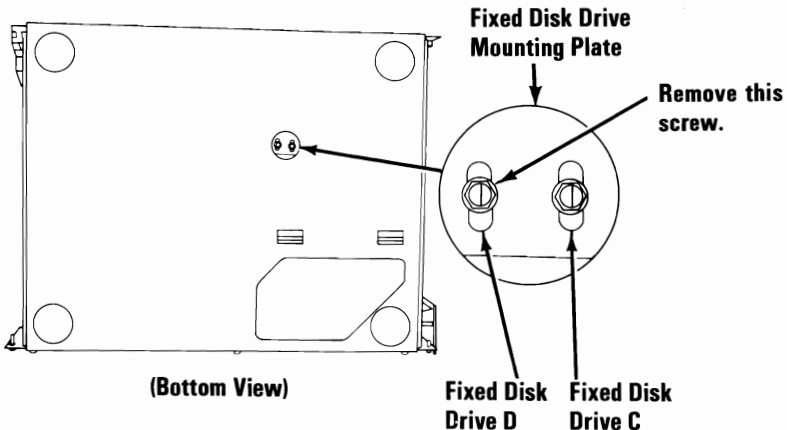
## Drive D: 1030

**Warning:** Normal shipping and handling can result in permanent loss of all data and formatting of the fixed disk drive. We recommend that you copy all files onto diskettes.

**Note:** Before removing the fixed disk drive, do the "Prepare System for Moving" function of the Advanced Diagnostics program.

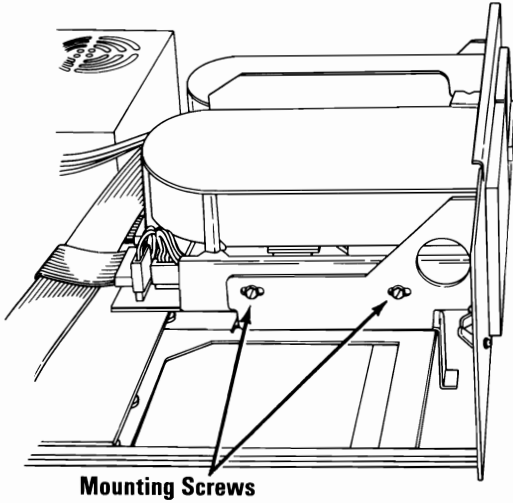
1. Power off the system.
2. Unplug the system unit (and expansion unit) power cord from the outlet.
3. Move all external options away from the work surface.
4. Remove the expansion unit cover (1005).
5. Tilt the unit up and remove the mounting plate screw for drive D.

**Warning:** When replacing the drive, be sure to use the same screw (short screw) that you removed from the mounting plate, or damage will result.



6. Remove all option adapters (**1035**).
7. Remove the mounting screws on the left side of drive D.

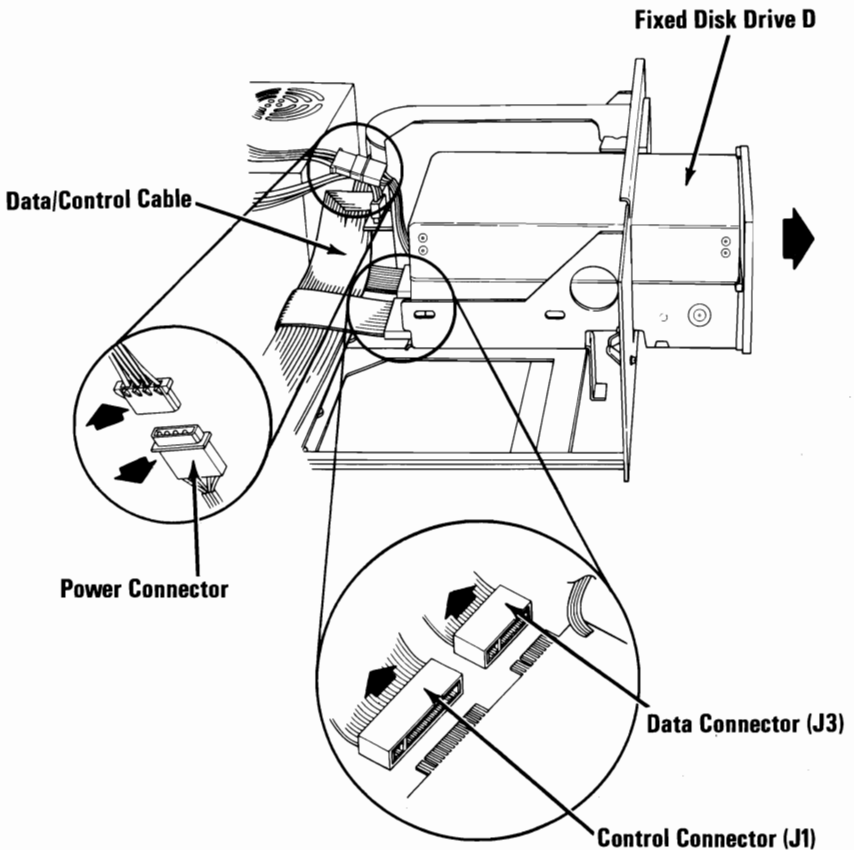
**Warning:** When replacing the drive, be sure to use the same two mounting screws (long screws) that you removed from the side of the drive, or damage to the drive will result.





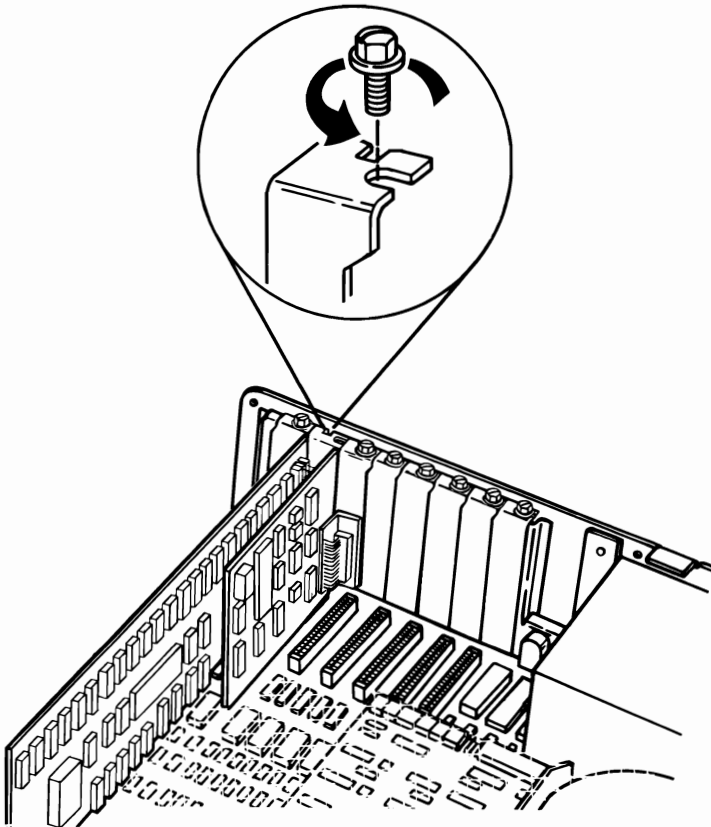
**Note:** Shown below are examples of the fixed disk drive and connectors. Some items may not be the same as those in your system.

- J1, the control connector, has 34 pins.
  - J3, the data connector, has 22 pins.
  - The Power connector has 4 pins and:
    - May be mounted on the logic board or,
    - May be on a pigtail.
8. Slide the drive out approximately 50 mm (2 inches) and disconnect the control connector (J1), data connector (J3), and the power connector.
  9. Remove the drive from the unit.



# Option Adapters 1035

1. Power off the system.
2. Remove the system unit (or expansion unit) cover (**1005**).
3. Make a note of which slot the adapter is in.
4. Remove the option adapter mounting screw.
5. If the option adapter has internal cables connected to it, make a note of their location and remove the cables.
6. Grasp the option adapter by the top corners and lift straight up.
7. If the option adapter has any switches on it, make a note of their position. If replacing the adapter, set the new option adapters switches.

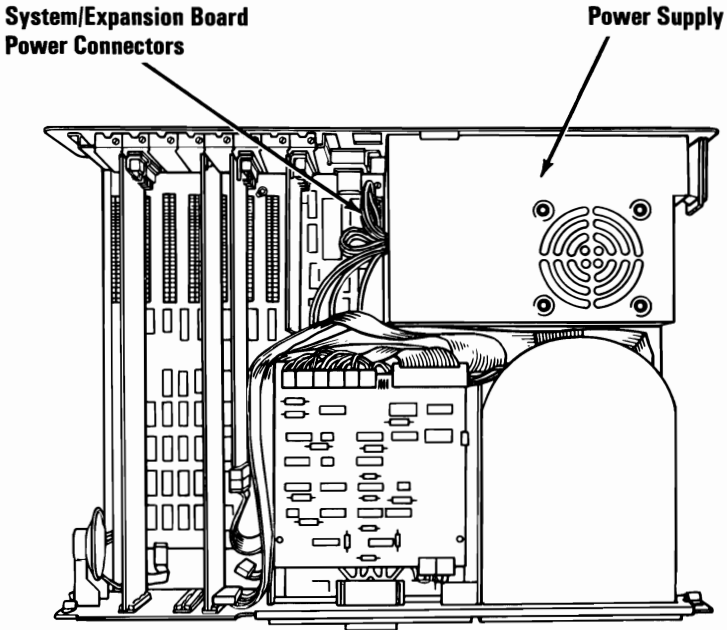


# Power Supply 1040

- IBM Personal Computer
- IBM Personal Computer XT
- IBM Personal Computer Expansion Unit.

1. Power off the system.
2. Unplug the system unit (and expansion unit) power cord from the outlet, then unplug the cord from the rear of the system (expansion) unit.
3. Remove the system unit (expansion unit) cover (**1005**).
4. Disconnect the system board (expansion board) power connectors by grasping the connectors and pulling straight up.

**Warning:** Do not pull on the wires when disconnecting the connectors.

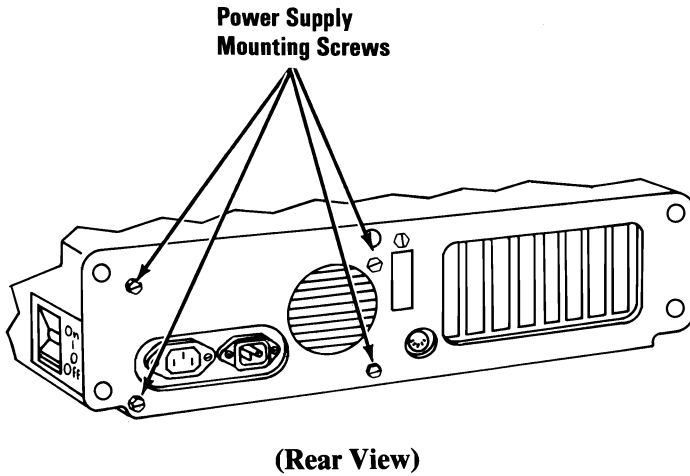


**System Unit  
(Top View)**

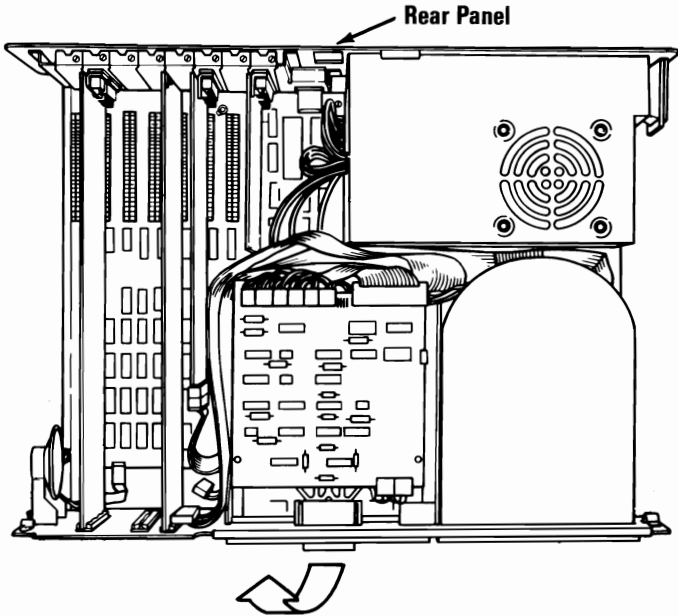
5. Disconnect the power connectors from the fixed disk drive or diskette drive.
6. Remove the four power supply mounting screws.

If you are replacing the power supply in a system that has a fixed disk drive, continue with Step 7.

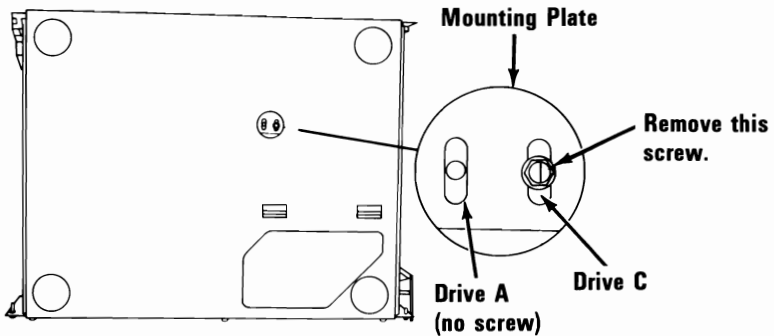
If you are replacing the power supply in a system without a fixed disk drive, continue with Step 11.



7. Hold the system by the front panel and tilt up until the system rests on the rear panel.

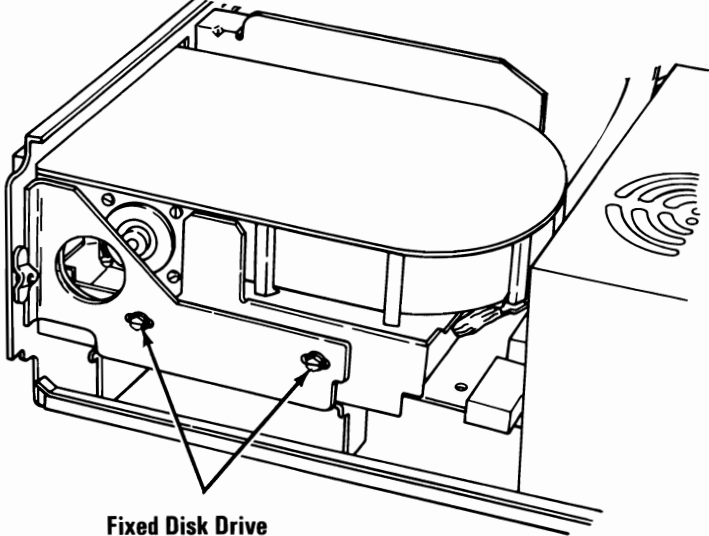


8. Remove the fixed disk drive mounting plate screw.



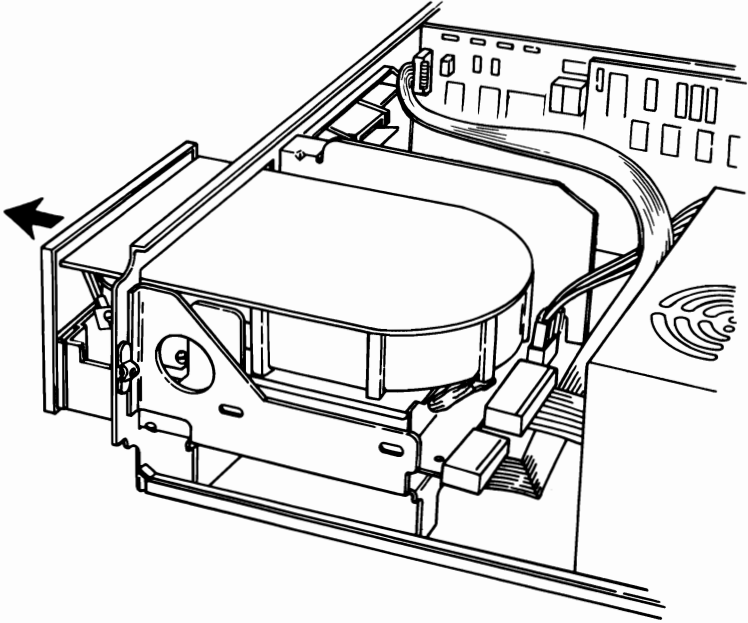
**(Bottom View)**

9. Remove the fixed disk drive mounting screws.

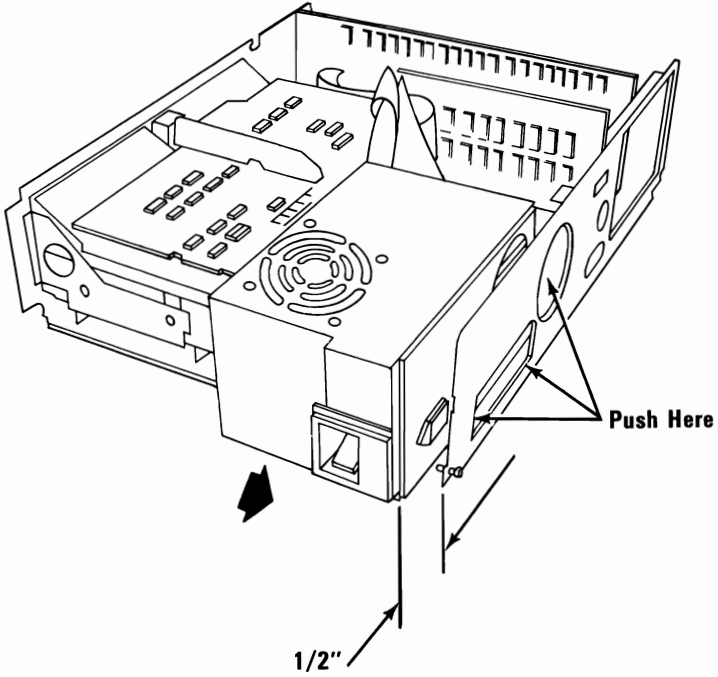


**Fixed Disk Drive  
Mounting Screws**

- Slide the fixed disk drive assembly forward approximately 25 mm (1 inch).



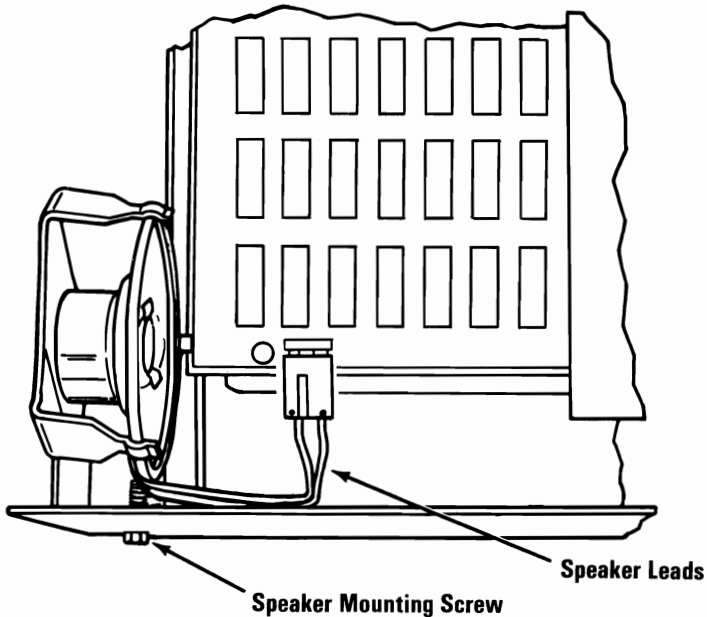
11. Push the power supply forward approximately 13 mm (0.5 inch), then lift and remove.





# Speaker 1045

1. Power off the system.
2. Remove the system unit power cord from the outlet.
3. Remove the system unit cover (1005).
4. Disconnect the speaker leads.
5. Remove the speaker mounting screw. Some systems have speakers that snap into place without a screw.
6. Remove the speaker.



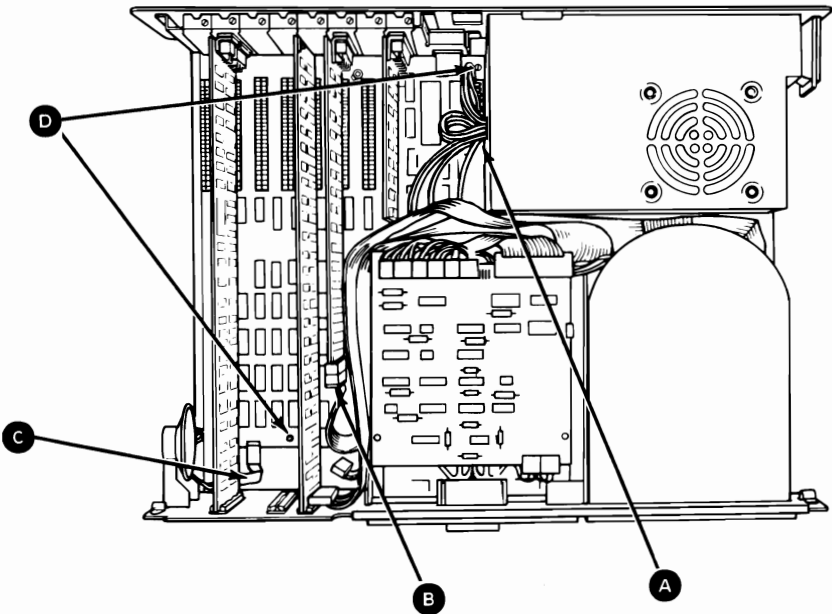
(Top View)

# System Board 1050

1. Power off the system.
2. Unplug the system unit (and expansion unit) power cord from the outlet.
3. Remove the system unit cover (1005).
4. Remove all option adapters (1035).

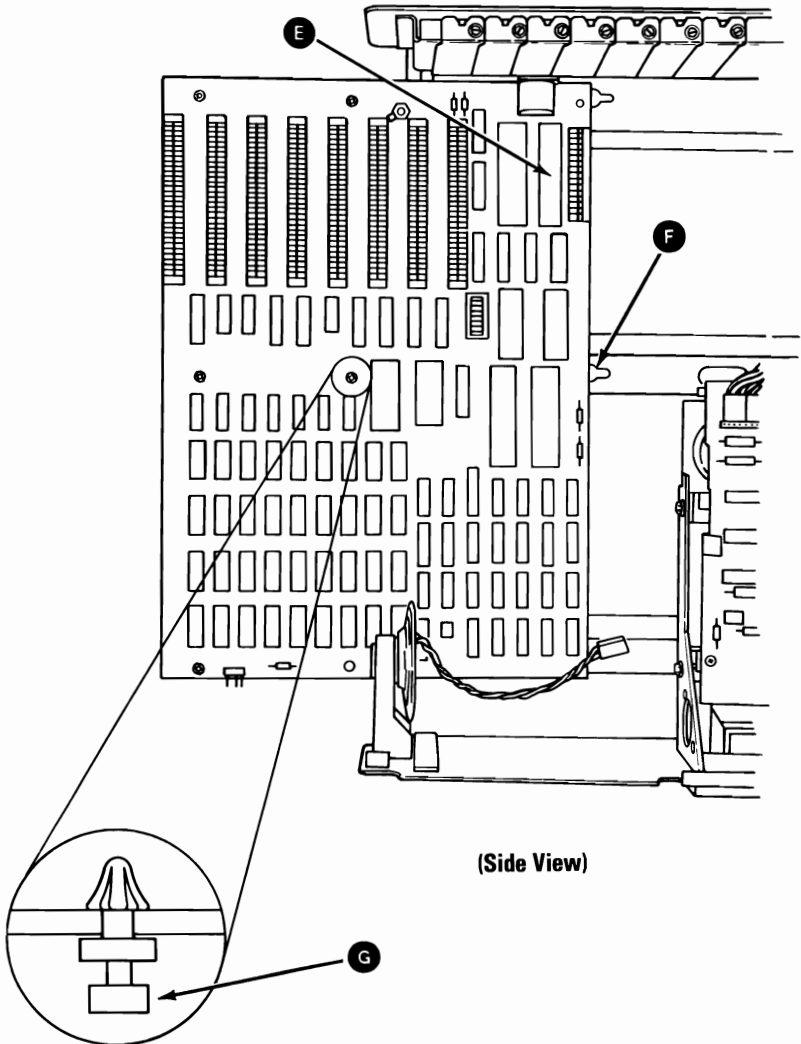
**Note:** The system board shown is for an IBM Personal Computer XT; however, the procedures and locations also apply to the IBM Personal Computer.

5. Disconnect the diskette-drive signal cable **B** and the system board power connectors **A**.
6. Remove the speaker connector **C**.
7. Remove the system board mounting screws **D**.



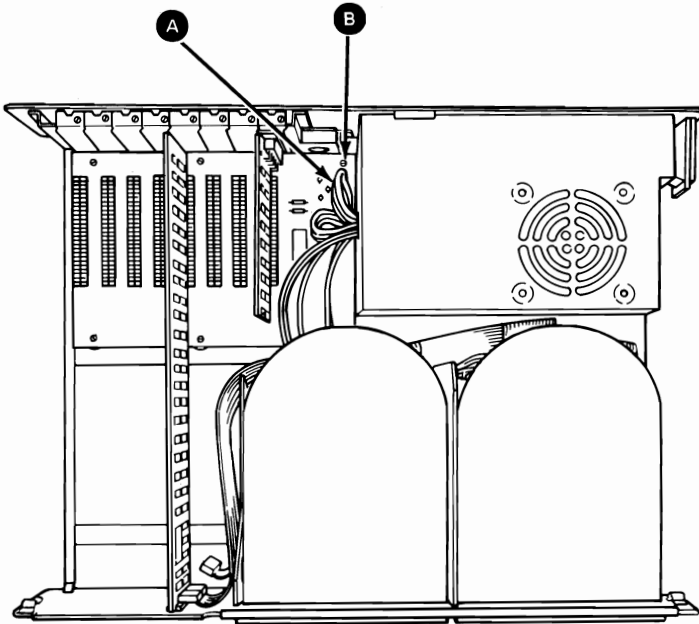
8. Slide the system board away from the power supply, approximately 13 mm (0.5 inch), until the standoffs **G** can be lifted from the mounting slots **F**.
9. Lift the system board up and out of the system unit.

**Note:** If you are going to install a new system board, remove the plastic standoffs, all the memory modules, and the Math Coprocessor **E** (if installed). A new system board will not have these items.

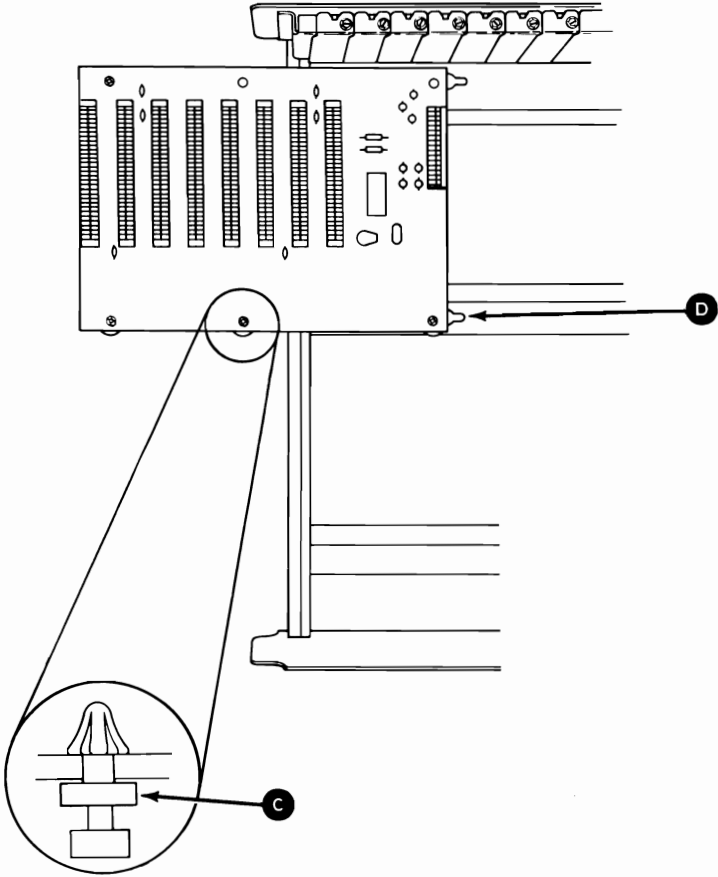


## Expansion Board 1055

1. Power off the system.
2. Unplug the expansion unit power cord, and disconnect all cables from the rear of the expansion unit.
3. Remove the expansion unit cover (1005).
4. Remove all option adapters, including the receiver card (1035).
5. Remove the expansion board power connectors **A**.
6. Remove the expansion board mounting screw **B**.



- Slide the expansion board away from the power supply approximately 13 mm (0.5 inch) until the standoffs **C** can be lifted from the mounting slots **D**.
- Lift the expansion board up and out of the system unit.

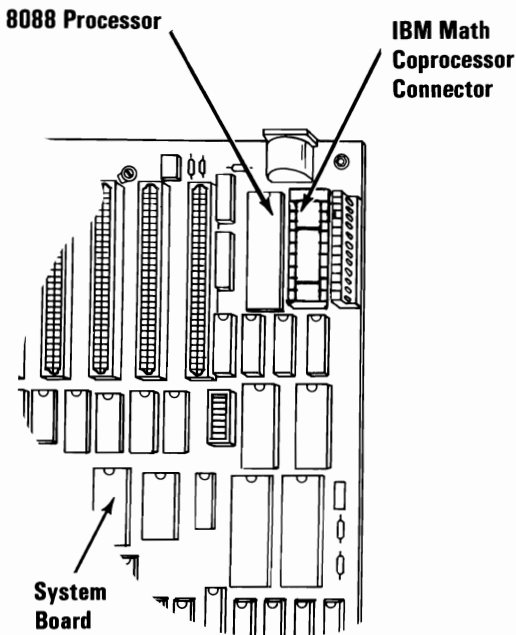


(Side View)

# 8088 or Math Coprocessor 1060

## Warning:

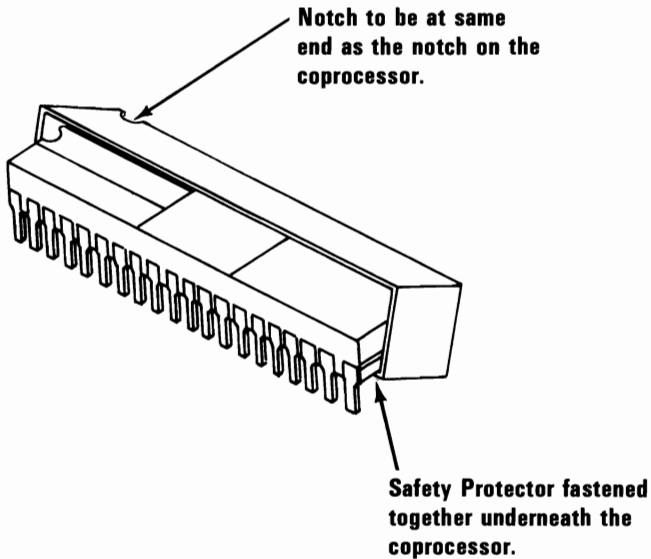
- The pins on the 8088 Processor or the Math Coprocessor are easily bent. Be careful not to bend them when removing either.
  - Both are sensitive to static. Maintain personal grounding by keeping one hand on the system unit frame while removing either.
1. Power off the system.
  2. Unplug the system unit (and expansion unit) power cord from the outlet.
  3. Remove the system unit cover (1005).
  4. Disconnect the power supply connectors from the system board and move them out of the way.
  5. Look at the figure below and find the 8088 Processor or the Math Coprocessor on the system board.



6. Using a module puller, carefully remove the 8088 Processor or the Math Coprocessor.
7. Remove the safety protector from the Math Coprocessor.

**Note:** When replacing the 8088 Processor or the Math Coprocessor ensure that:

1. The notch on the end of the 8088 Processor or Math Coprocessor faces the rear of the system board.
2. The notches in the safety protector are on the same end as the notch in the Math Coprocessor.

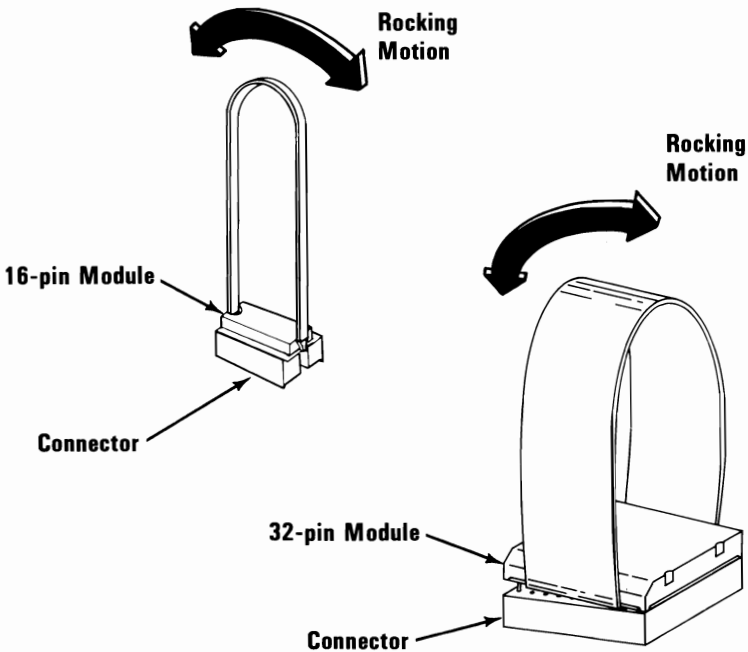


# Memory Module 1065

1. Power off the system.
2. Unplug the system unit (and expansion unit) power cord from the outlet.
3. Remove the system unit cover (**1005**).
4. Find the failing memory module, on the system board or memory expansion adapter (see "MAP 0200: Memory" in the *Hardware Maintenance Service* manual).
5. Grasp the module with the module puller and lift in a two-step rocking motion, to avoid bending the pins.

## Notes:

1. When replacing the 16-pin module, ensure that the notch on the module aligns with the notch on the connector.
2. When replacing the 32-pin module, ensure that the beveled edge on the module aligns with the top of the adapter.





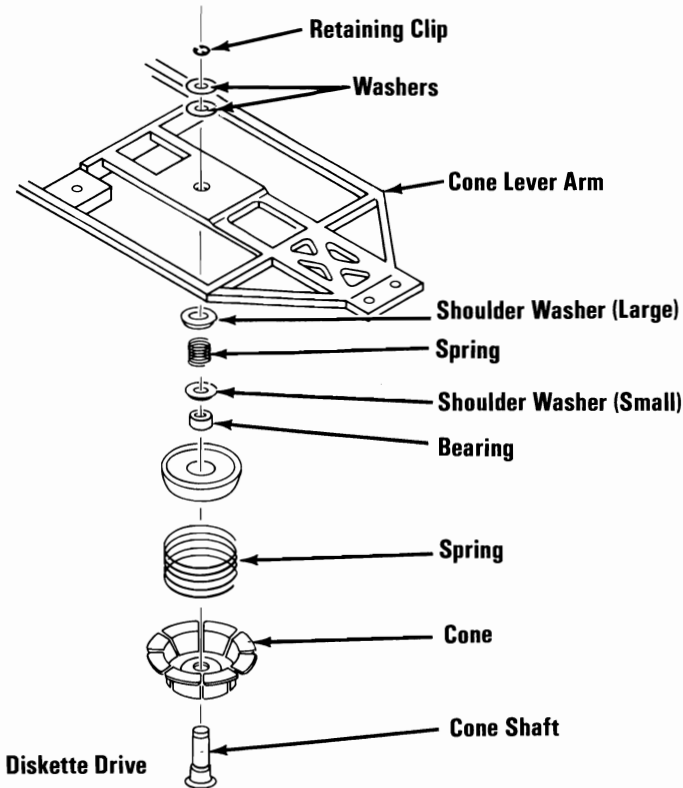
# Disassembly and Assembly

## Full High Diskette Drive - Type 1

### Cone Assembly 1100-1

1. Power off the system.
2. Unplug the system unit (and expansion unit) power cord from the outlet.
3. Remove the system unit cover (**1005**).
4. Remove the diskette drive.

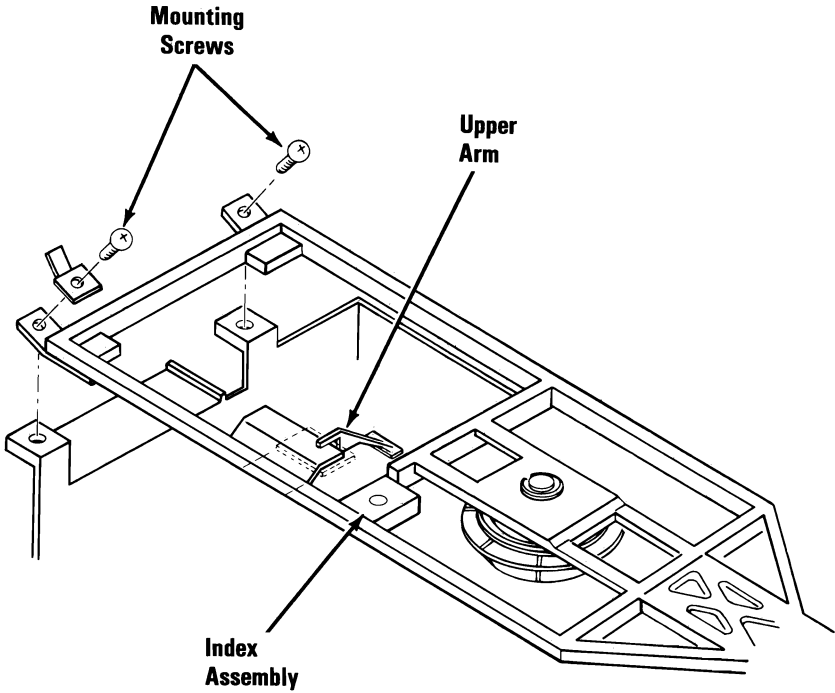
5. Remove the diskette-drive logic board (1120-1).
6. Remove the cone lever arm (1105-1).
7. Compress the cone assembly to relieve spring tension and remove the retaining clip from the top of the shaft.
8. Release the cone assembly and allow it to separate from the cone lever arm.



## **Cone Lever Arm 1105-1**

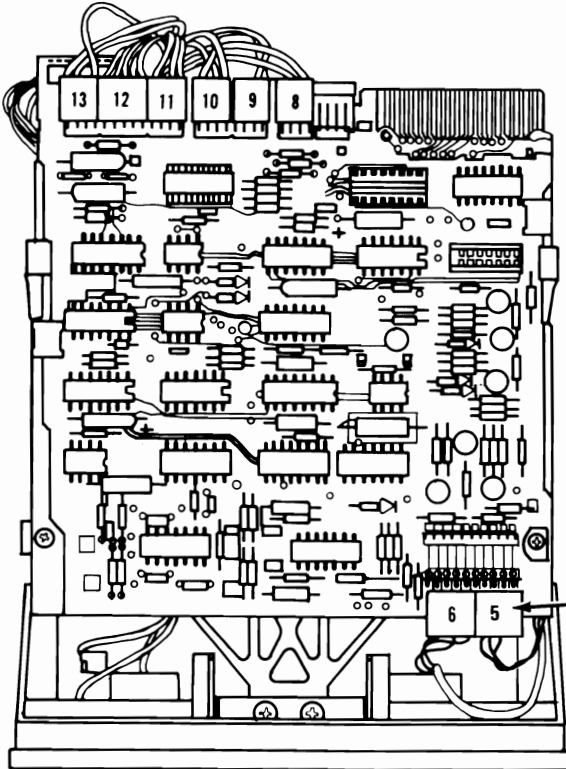
1. Power off the system.
2. Unplug the system unit (and expansion unit) power cord from the outlet.
3. Remove the system unit cover (**1005**).
4. Remove the diskette drive.
5. Remove the diskette-drive logic board (**1120-1**).
6. Remove the wire tie attaching the index cable to the cone lever assembly.
7. Remove the index assembly.
8. Remove the two mounting screws for the cone lever arm and remove the wire ties at the rear of the arm.

9. Slide the head carriage to the front of the diskette drive.
10. Release the upper arm by sliding the cone lever arm to the rear of the diskette drive.
11. Lift the cone lever arm out of the diskette drive.



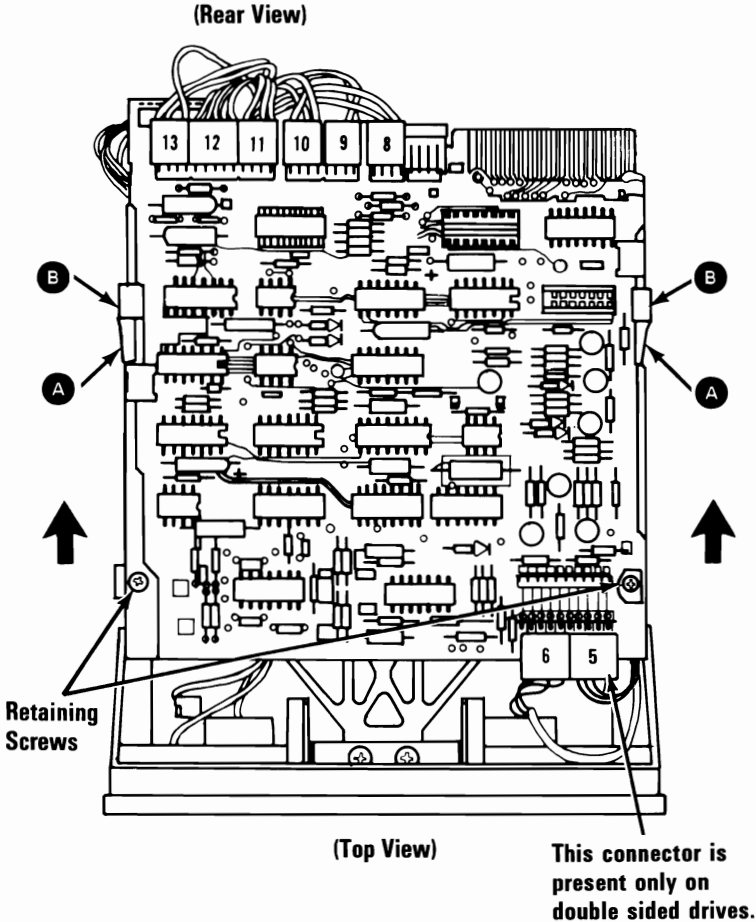
# Logic Board 1120-1

1. Power off the system.
2. Unplug the system unit (and expansion unit) power cord from the outlet.
3. Remove the system unit cover (1005).
4. Remove the diskette drive.
5. Make a note of where the connectors and head cables attach to the logic board.
6. Disconnect all connectors from the rear, and the head cables from the right front of the diskette-drive logic board.



(Top View)

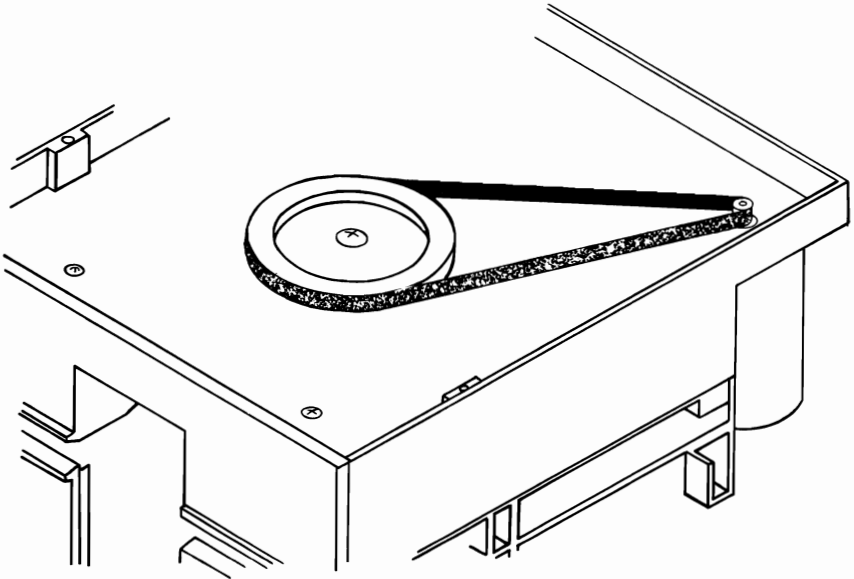
7. Remove the two retaining screws from the top of the diskette-drive logic board.
8. Slide the diskette-drive logic board to the rear until the notches **A** line up with the guide brackets **B**, then lift the diskette-drive logic board from the diskette drive assembly.
9. Disconnect the diskette-drive power connector from the left rear of the diskette-drive logic board.



## Drive Belt 1125-1

1. Power off the system.
2. Unplug the system unit (and expansion unit) power cord from the outlet.
3. Remove the system unit cover (**1005**).
4. Remove the diskette drive.
5. Carefully place the diskette drive on a work surface, with the drive belt and pulleys facing up.
6. Lift the belt off the large pulley, then off the small pulley.

**Note:** When installing the belt, ensure that the dark, shiny side of the belt is facing the pulleys.



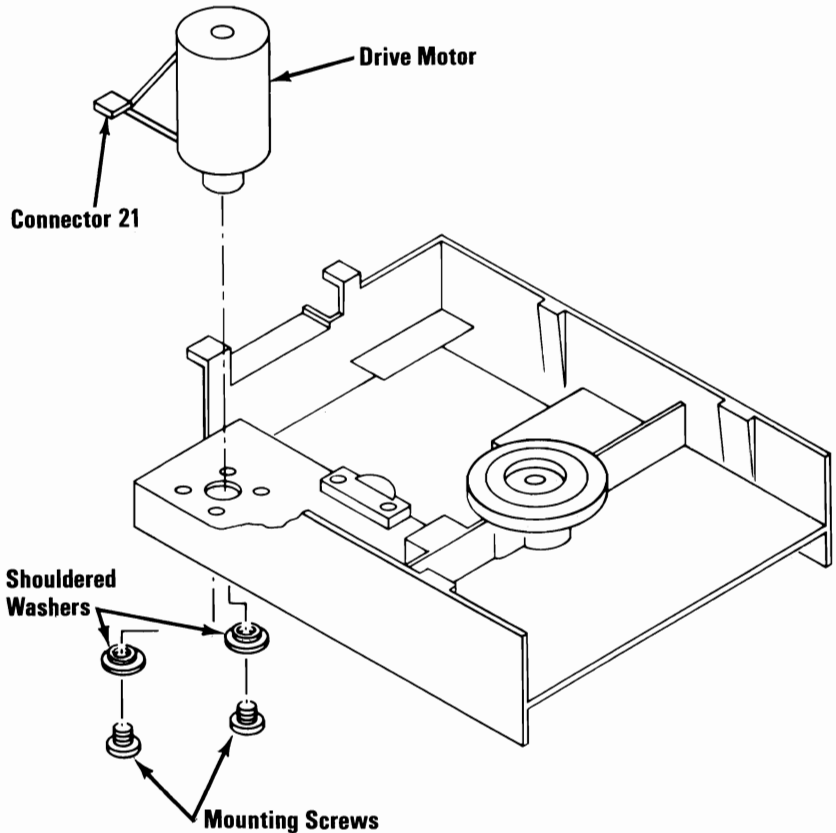
(Bottom View)

## Drive Motor 1130-1

1. Power off the system.
2. Unplug the system unit (and expansion unit) power cord from the outlet.
3. Remove the system unit cover (**1005**).
4. Remove the diskette drive.
5. Remove the diskette-drive logic board (**1120-1**).

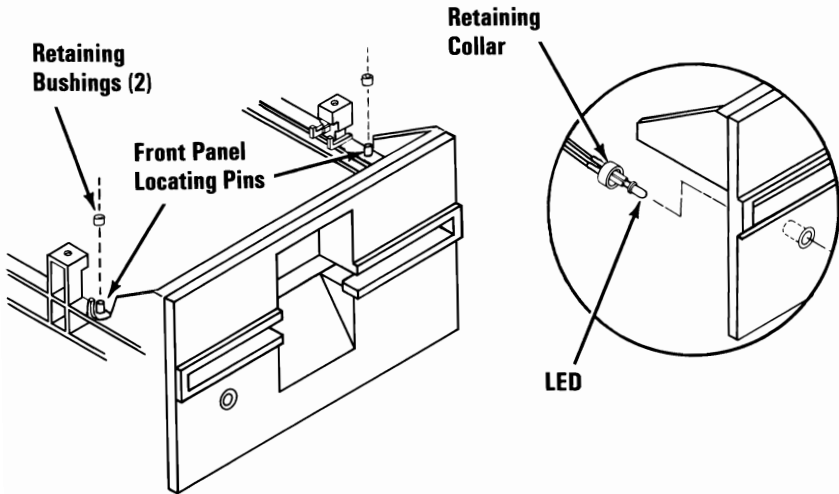


6. Carefully place the diskette drive on a work surface, with the drive belt and pulleys facing up.
7. Disconnect connector 21 from the servo board.
8. Remove the drive belt (1125-1).
9. Remove the drive-motor mounting screws and shouldered washers.
10. Carefully pull the drive motor out of the diskette drive.

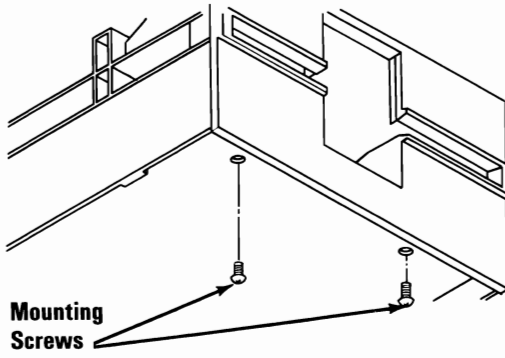


## Front Panel 1140-1

1. Power off the system.
2. Unplug the system unit (and expansion unit) power cord from the outlet.
3. Remove the system unit cover (**1005**).
4. Remove the diskette drive.
5. Remove the diskette-drive logic board (**1120-1**).
6. Remove the retaining collar that holds the LED assembly to the front panel.
7. Remove the LED assembly from the front panel.
8. Remove the retaining bushings.

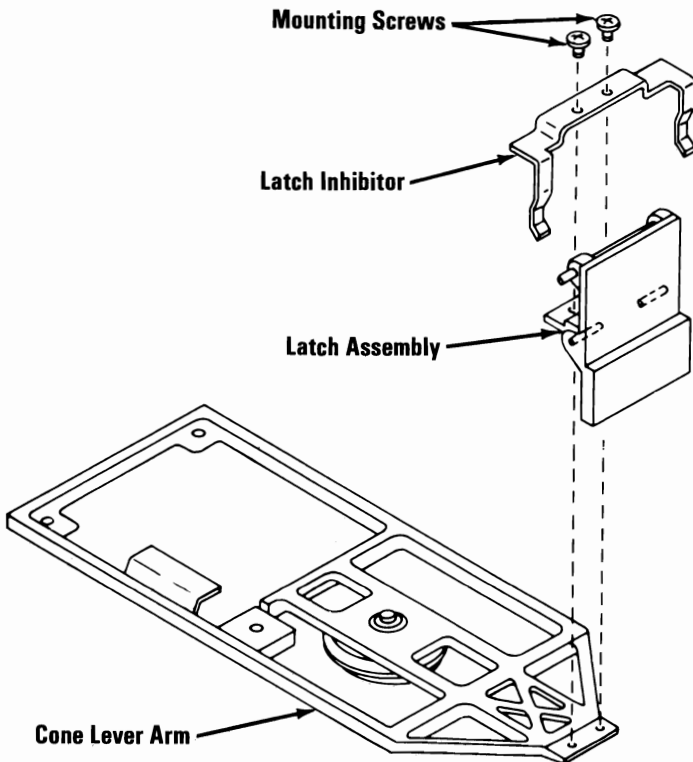


9. Carefully place the diskette drive on its side and remove the front panel mounting screws.
10. Remove the front panel from the diskette drive.



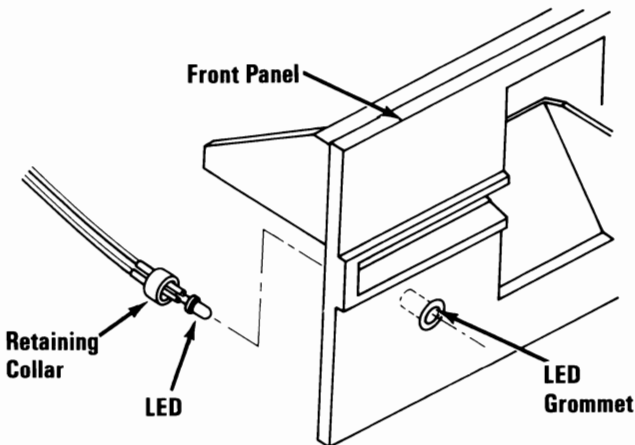
## Latch Assembly 1145-1

1. Power off the system.
2. Unplug the system unit (and expansion unit) power cord from the outlet.
3. Remove the system unit cover (1005).
4. Remove the diskette drive.
5. Remove the diskette-drive logic board (1120-1).
6. Close the latch and lightly hold the cone lever arm down while removing the latch mounting screws.
7. Lift the latch inhibitor out of the diskette drive.
8. Slide the latch assembly out through the slots in the rear of the front panel.



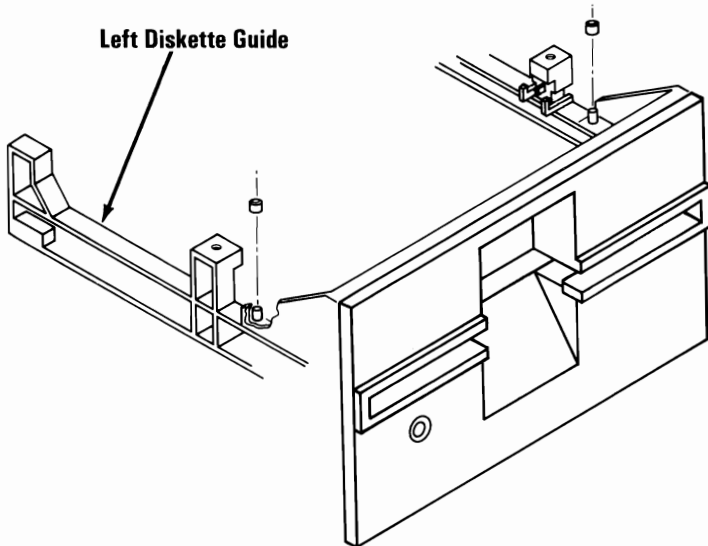
## LED Assembly 1150-1

1. Power off the system.
2. Unplug the system unit (and expansion unit) power cord from the outlet.
3. Remove the system unit cover (**1005**).
4. Remove the diskette drive.
5. Remove the diskette-drive logic board (**1120-1**).
6. Remove the retaining bushings.
7. Carefully place the diskette drive on its side and remove the front panel mounting screws.
8. Remove the front panel from the diskette drive.
9. Remove the retaining collar that holds the LED assembly to the front panel.
10. Remove the LED assembly from the front panel.



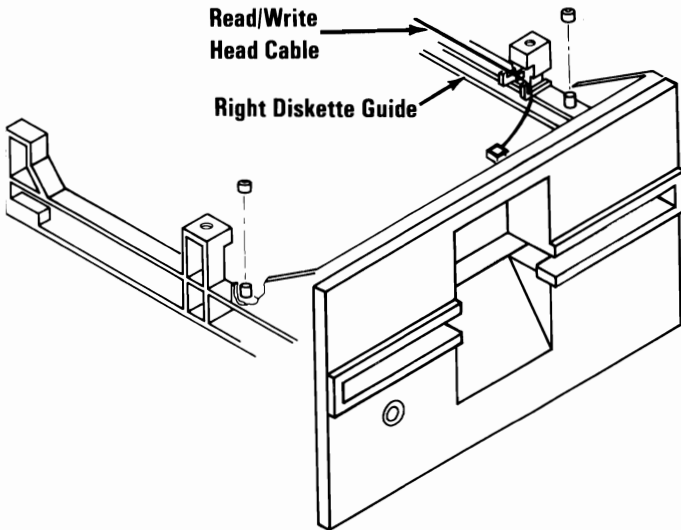
## Left Diskette Guide 1155-1

1. Power off the system.
2. Unplug the system unit (and expansion unit) power cord from the outlet.
3. Remove the system unit cover (**1005**).
4. Remove the diskette drive.
5. Remove the diskette-drive logic board (**1120-1**).
6. Remove the front panel (**1140-1**).
7. Remove the retaining bushings.
8. Slide the blade of a screwdriver between the frame and the rear of the left guide and carefully pry the guide from the frame.



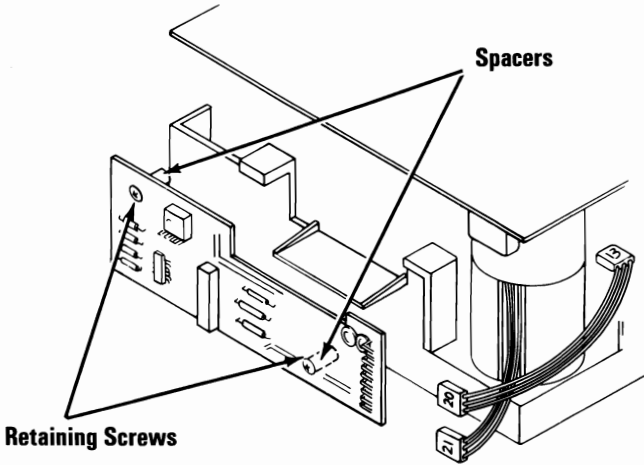
## Right Diskette Guide 1160-1

1. Power off the system.
2. Unplug the system unit (and expansion unit) power cord from the outlet.
3. Remove the system unit cover (1005).
4. Remove the diskette drive.
5. Remove the diskette-drive logic board (1120-1).
6. Remove the front panel (1140-1).
7. Remove the read/write head cable from the brackets on the right diskette guide.
8. Remove the retaining bushing.
9. Slide the blade of a screwdriver between the frame and the rear of the right guide and carefully pry the guide from the frame.



# Servo Board 1165-1

1. Power off the system.
2. Unplug the system unit (and expansion unit) power cord from the outlet.
3. Remove the system unit cover (**1005**).
4. Remove the diskette drive.
5. Disconnect connectors 20 and 21 from the servo board.
6. Remove the servo board retaining screws and lift the board from the diskette drive. Do not lose the spacers between the servo board and frame when removing the board.





## Spindle Assembly 1170-1

Spindle assemblies are installed two ways in the diskette drives.

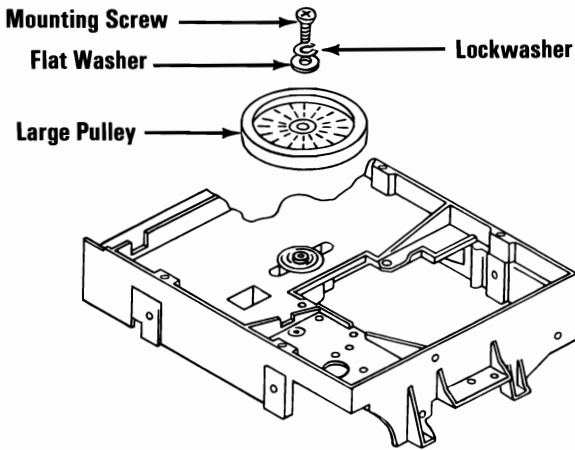
An assembly installed with hex-headed screws and retainer can be replaced.

An assembly installed by bonding cannot be replaced.

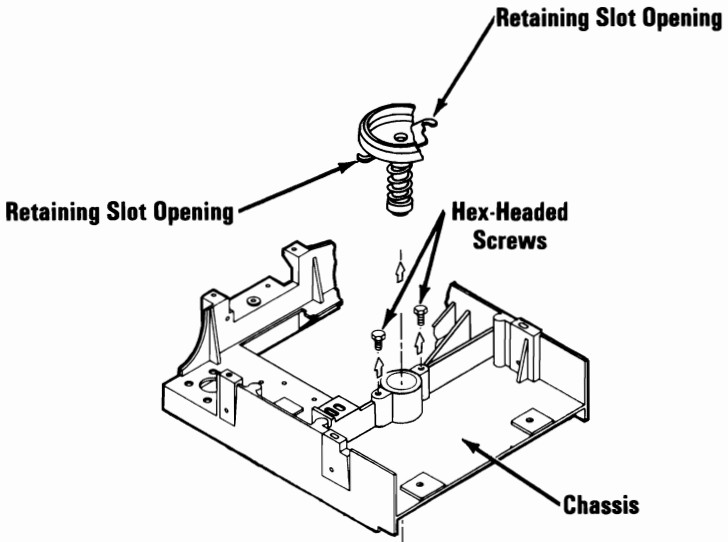
Look through the latch opening of the diskette drive and find the spindle hub. If you have hex-headed screws under the spindle hub, continue with the removal and replacement procedure. If you do not have hex-headed screws, replace the diskette drive assembly.



1. Power off the system.
2. Unplug the system unit (and expansion unit) power cord from the outlet.
3. Remove the system unit cover (**1005**).
4. Remove the diskette drive.
5. Remove the diskette-drive logic board (**1120-1**).
6. Remove the cone lever arm (**1105-1**).
7. Remove the drive belt (**1125-1**).
8. Remove the drive pulley screw and washers.



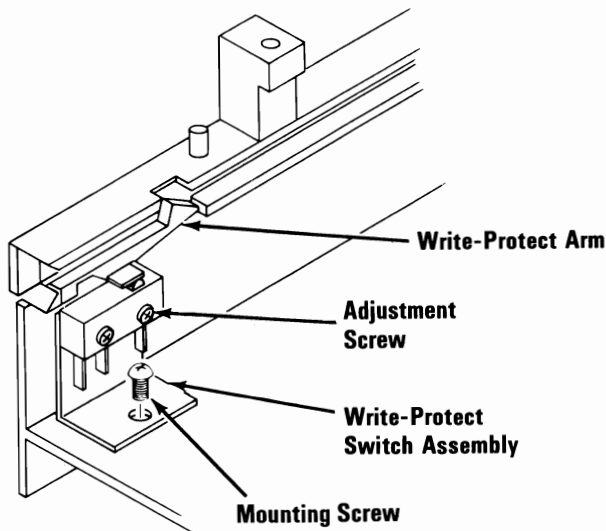
9. Remove the drive pulley by holding the spindle and twisting the pulley clockwise and counterclockwise while pulling the pulley off.
10. Loosen the two hex-headed screws under the spindle.
11. Turn the spindle retainer counterclockwise until the retainer openings clear the hex-headed screws.
12. Remove the spindle assembly by pulling on the spindle and pushing on the spindle shaft from the opposite side.



## Write Protect Switch Assembly 1180-1

1. Power off the system.
2. Unplug the system unit (and expansion unit) power cord from the outlet.
3. Remove the system unit cover (1005).
4. Remove the diskette drive.
5. Remove the diskette-drive logic board (1120-1).
6. Remove the mounting screw for the Write-Protect switch (left front of the diskette drive).
7. Remove the wire ties, as necessary, along the left side of the frame and right side of the motor.
8. Remove the Write-Protect switch assembly.

**Note:** When installing the Write-Protect switch assembly, adjust the switch position so that when a diskette is inserted in the guides, the switch transfers without binding the diskette and the write protect assembly.

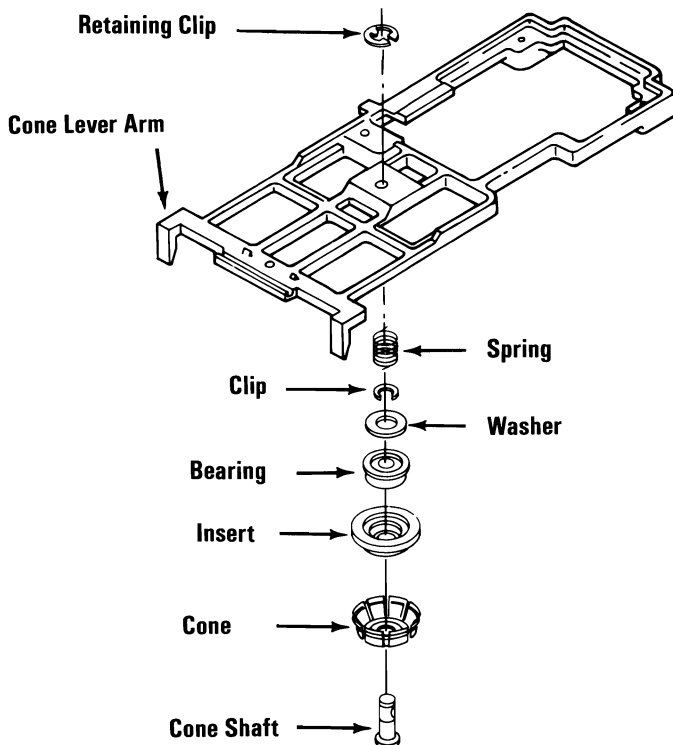


(Front View)

# Full High Diskette Drive - Type 2

## Cone Assembly 1100-2

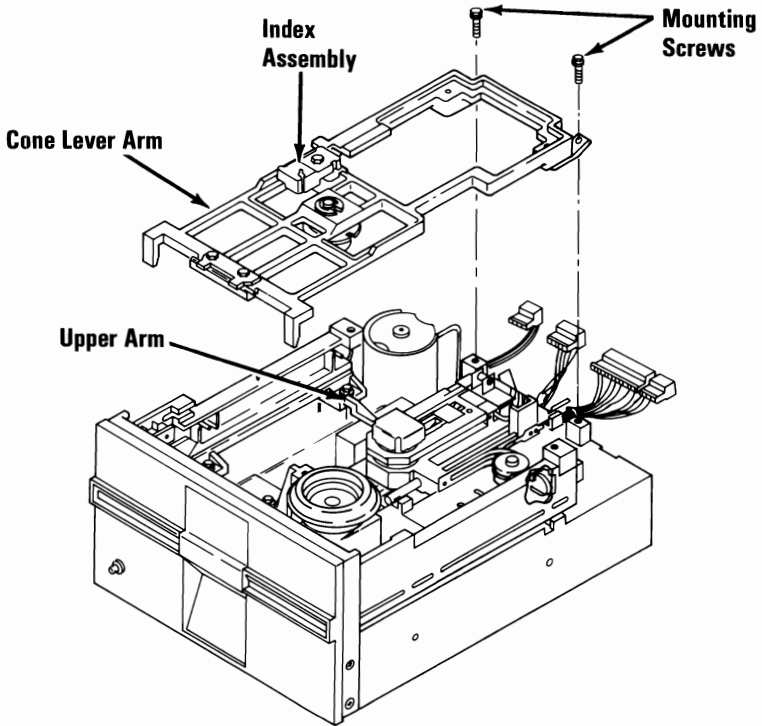
1. Power off the system.
2. Unplug the system unit (and expansion unit) power cord from the outlet.
3. Remove the system unit cover (1005).
4. Remove the diskette drive.
5. Remove the diskette-drive logic board (1120-2).
6. Remove the cone lever arm (1105-2).
7. Compress the cone assembly to relieve spring tension and remove the retaining clip from the top of the shaft.
8. Release the cone assembly and allow it to separate from the cone lever arm.



## Cone Lever Arm 1105-2

1. Power off the system.
2. Unplug the system unit (and expansion unit) power cord from the outlet.
3. Remove the system unit cover (**1005**).
4. Remove the diskette drive.
5. Remove the diskette-drive logic board (**1120-2**).
6. Remove the read/write head cable from the bracket; remove the wire tie on the right diskette guide.

7. Remove the wire tie attaching the index cable to the cone lever assembly.
8. Remove the index assembly.
9. Remove the two mounting screws for the cone lever arm.
10. Slide the head carriage to the front of the diskette drive.
11. Release the upper arm by sliding the cone lever arm to the rear of the diskette drive.
12. Lift the cone lever arm out of the diskette drive.

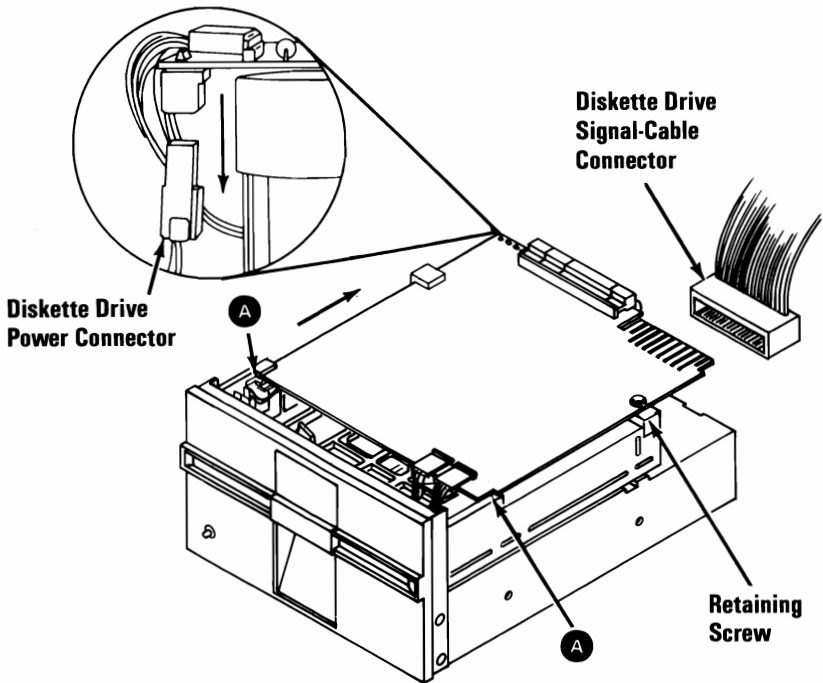


## **Logic Board 1120-2**

1. Power off the system.
2. Unplug the system unit (and expansion unit) power cord from the outlet.
3. Remove the system unit cover (**1005**).
4. Remove the diskette drive.
5. Make a note of where the connectors and head cables attach to the logic board.
6. Disconnect all connectors from the rear, and the head cables from the right front of the diskette-drive logic board.



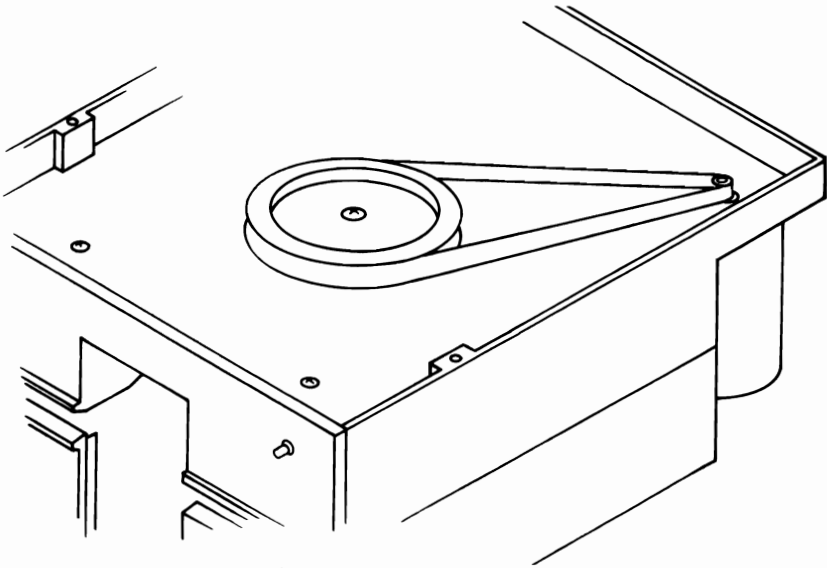
7. Remove the retaining screw.
8. Slide the diskette-drive logic board toward the rear until it clears the front guide brackets **A**.
9. Lift the right side of the diskette-drive logic board up and out to clear the brackets.
10. Disconnect the diskette-drive power connector from the left rear corner of the diskette-drive logic board.
11. Remove the shield plate.



## Drive Belt 1125-2

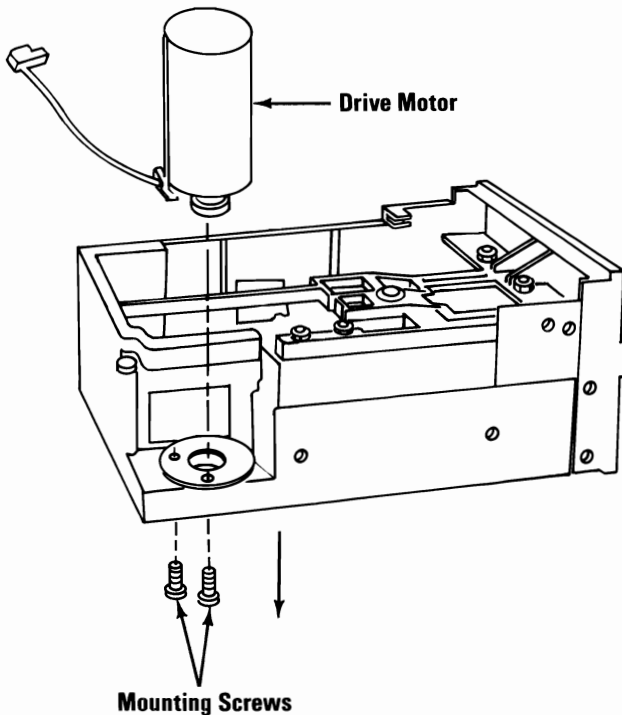
1. Power off the system.
2. Unplug the system unit (and expansion unit) power cord from the outlet.
3. Remove the system unit cover (**1005**).
4. Remove the diskette drive.
5. Carefully place the diskette drive on a work surface with the drive belt and pulleys facing up.
6. Lift the belt off the large pulley, then off the small pulley.

**Note:** When installing the belt, ensure that the dark, shiny side of the belt faces the pulleys.



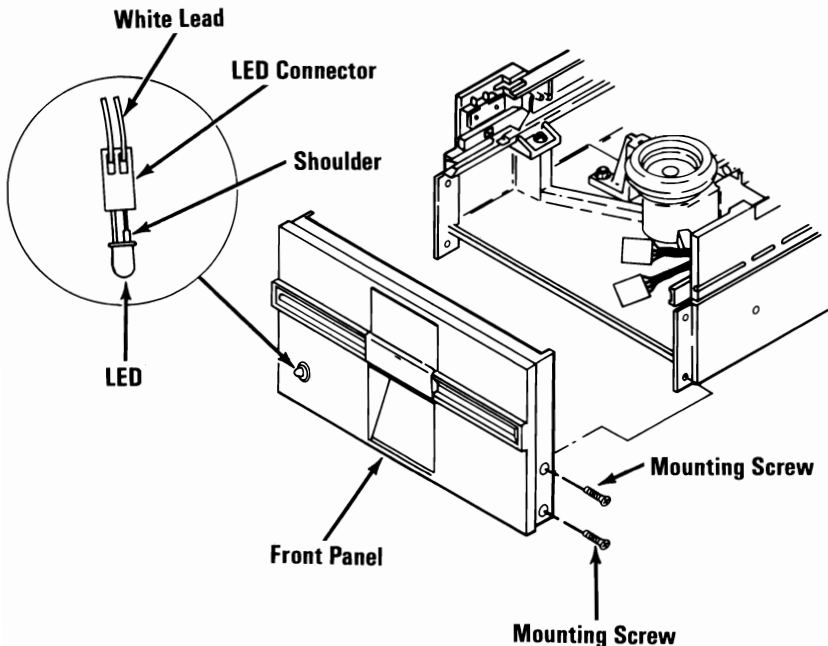
## Drive Motor 1130-2

1. Power off the system.
2. Unplug the system unit (and expansion unit) power cord from the outlet.
3. Remove the system unit cover (**1005**).
4. Remove the diskette drive.
5. Remove the diskette-drive logic board (**1120-2**).
6. Remove the drive belt (**1125-2**).
7. Remove the drive motor mounting screws.
8. Carefully lift the drive motor out of the diskette drive.



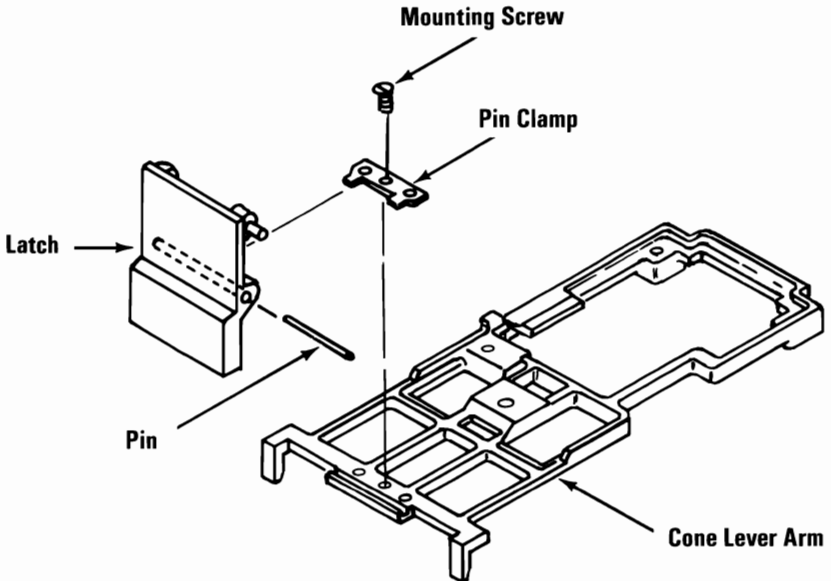
## Front Panel 1140-2

1. Power off the system.
2. Unplug the system unit (and expansion unit) power cord from the outlet.
3. Remove the system unit cover (1005).
4. Remove the diskette drive.
5. Open the latch on the front of the diskette drive.
6. Remove the diskette-drive logic board (1120-2).
7. Remove the connector from the LED assembly.
8. Place the diskette drive on its right side and remove the left front mounting screws.
9. Place the diskette drive on its left side and remove the right front mounting screws.
10. Remove the front panel from the diskette drive.



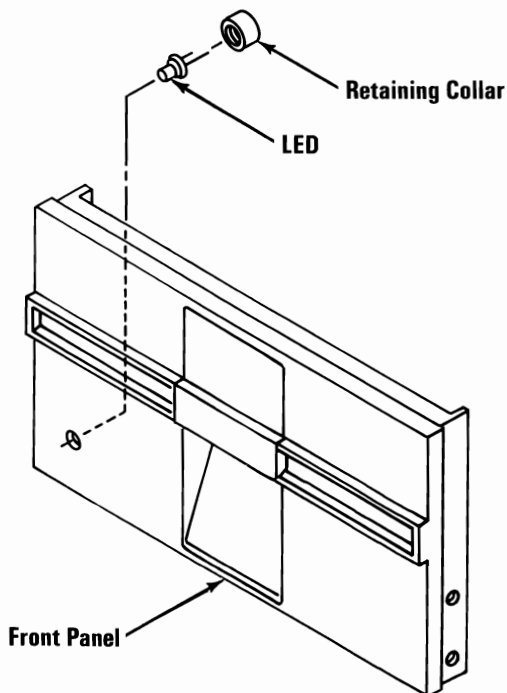
## Latch Assembly 1145-2

1. Power off the system.
2. Unplug the system unit (and expansion unit) power cord from the outlet.
3. Remove the system unit cover (1005).
4. Remove the diskette drive.
5. Remove the diskette-drive logic board (1120-2).
6. Close the latch and remove the mounting screw holding the pin clamp.
7. Remove the pin clamp.
8. Open the latch, push the cone arm down, and remove the latch by pulling toward the rear.



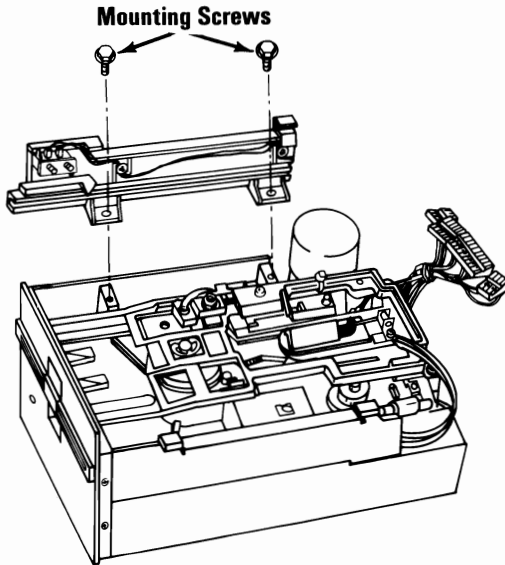
## LED Assembly 1150-2

1. Power off the system.
2. Unplug the system unit (and expansion unit) power cord from the outlet.
3. Remove the system unit cover (**1005**).
4. Remove the diskette drive.
5. Remove the diskette-drive logic board (**1120-2**).
6. Remove the front panel of the diskette drive (**1140-2**).
7. Remove the retaining collar that holds the LED to the front panel.
8. Remove the LED from the front panel by pushing on the LED from the front of the front panel.



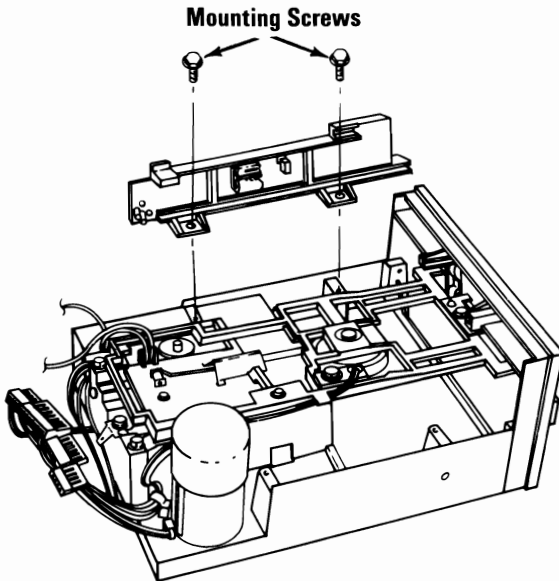
## Left Diskette Guide 1155-2

1. Power off the system.
2. Unplug the system unit (and expansion unit) power cord from the outlet.
3. Remove the system unit cover (**1005**).
4. Remove the diskette drive.
5. Remove the diskette-drive logic board (**1120-2**).
6. Remove the wires to the Write-Protect switch.
7. Remove the screws that hold the guide to the frame.
8. Slide the guide to the rear and lift it from the frame.



## Right Diskette Guide 1160-2

1. Power off the system.
2. Unplug the system unit (and expansion unit) power cord from the outlet.
3. Remove the system unit cover (**1005**).
4. Remove the diskette drive.
5. Remove the diskette-drive logic board (**1120-2**).
6. Remove the head cables from the diskette guide.
7. Remove the screws that hold the guide to the frame.
8. Move the guide to the rear and lift it from the diskette drive.

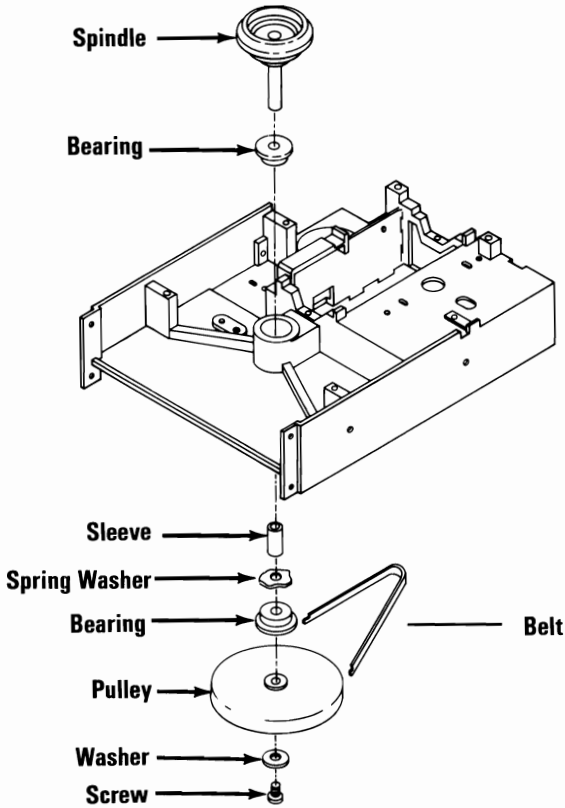




## **Spindle Assemble 1170-2**

1. Power off the system.
2. Unplug the system unit (and expansion unit) power cord from the outlet.
3. Remove the system unit cover (**1005**).
4. Remove the diskette drive.
5. Remove the diskette-drive logic board (**1120-2**).
6. Remove the cone lever arm (**1105-2**).
7. Remove the drive belt (**1125-2**).
8. Remove the drive pulley screw and washers.

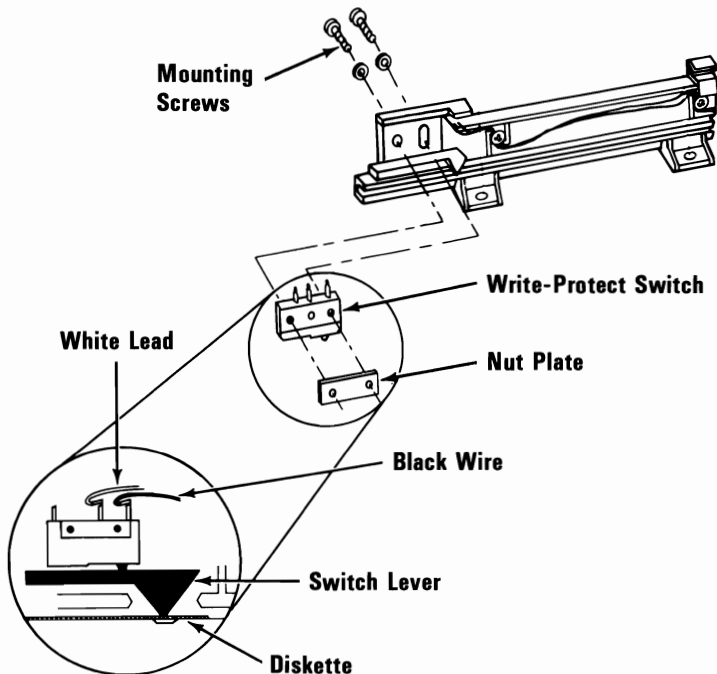
9. Remove the drive pulley by holding the spindle and twisting the drive pulley back and forth while pulling on the pulley.
10. Remove the spindle assembly by pulling on the spindle and pushing on the spindle shaft from the opposite side.



## Write Protect Switch 1180-2

1. Power off the system.
2. Unplug the system unit (and expansion unit) power cord from the outlet.
3. Remove the system unit cover (1005).
4. Remove the diskette drive.
5. Remove the diskette-drive logic board (1120-2).
6. Remove the connectors from the Write-Protect switch.
7. Remove the mounting screws, washers, nut plate, and Write-Protect switch.

**Note:** When installing the Write-Protect switch, tighten the mounting screws and check that the Write-Protect switch operates when you first insert the diskette and again when the switch lever drops into the write-protect notch on the diskette. If necessary adjust.

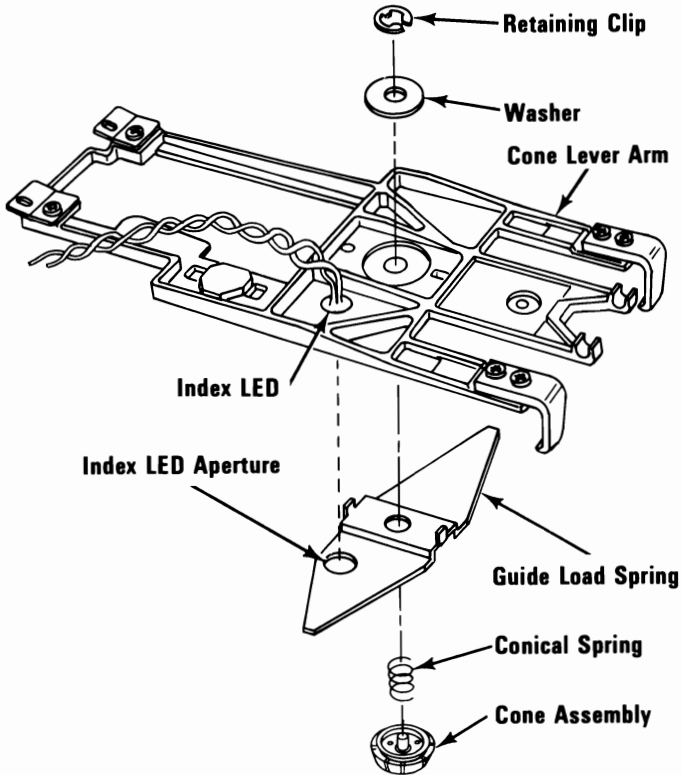


# Full High Diskette Drive - Type 3

## Cone Assembly 1100-3

1. Power off the system.
2. Unplug the system unit (and expansion unit) power cord from the outlet.
3. Remove the system unit cover (**1005**).
4. Remove the diskette drive.
5. Remove the diskette-drive logic board (**1120-3**).

6. Remove the cone lever arm (1105-3).
7. Compress the cone assembly to relieve spring tension and remove the retaining clip and washer from the top of the shaft.
8. Release the spring tension and allow the cone assembly to separate from the cone lever arm, along with the guide load spring and conical spring.



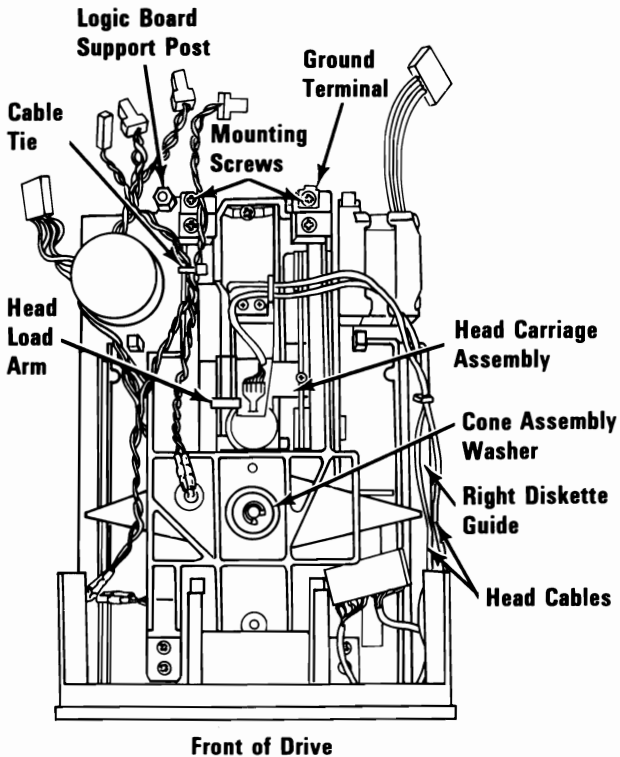
## Cone Lever Arm 1105-3

**Warning:** When removing or replacing the cone lever arm, do not spread or bend the upper suspension of the head carriage assembly; this can cause permanent damage

Never allow the heads to strike each other. Separate them with a piece of paper during removals and replacements.

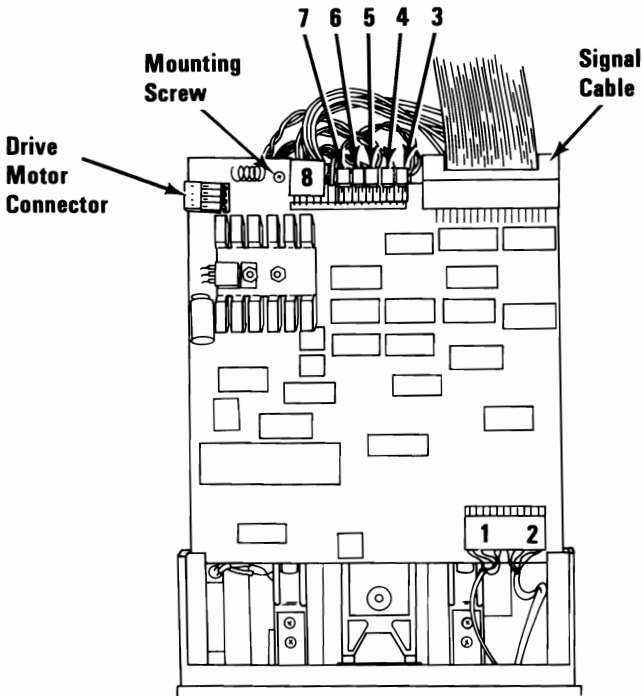
1. Power off the system.
2. Unplug the system unit (and expansion unit) power cord from the outlet.
3. Remove the system unit cover (**1005**).
4. Remove the diskette drive.
5. Remove the diskette-drive logic board (**1120-3**).
6. Remove the logic board support post.
7. Open the latch assembly.
8. Place a piece of paper between the heads.
9. Position the head carriage assembly to the front of the diskette drive.
10. Remove the head cables from the right diskette guide.

11. Remove the wire tie attaching the LED cable to the cone lever arm.
12. Remove the latch assembly (1145-3).
13. Remove the two rear cone lever arm mounting screws and the grounding terminal.
14. Slide the cone lever arm to the left (view it from the front) far enough to clear the head load arm; allow the heads to close on the paper.
15. Raise the cone lever arm, then move it to the rear and lift out.



## Logic Board 1120-3

1. Power off the system.
2. Unplug the system unit (and expansion unit) power cord from the outlet.
3. Remove the system unit cover (1005).
4. Remove the diskette drive.
5. Make a note of where the connectors attach to the logic board.
6. Disconnect all connectors from the diskette-drive logic board.
7. Remove the logic board mounting screw.
8. Slide the diskette-drive logic board toward the rear until it clears the guide brackets, and remove it.

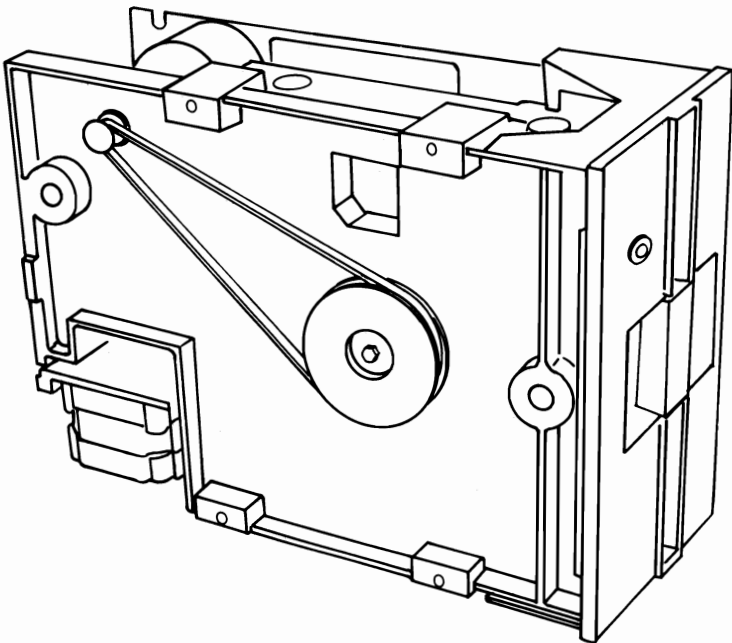




## Drive Belt 1125-3

1. Power off the system.
2. Unplug the system unit (and expansion unit) power cord from the outlet.
3. Remove the system unit cover (**1005**).
4. Remove the diskette drive.
5. Carefully place the diskette drive on a work surface with the drive belt and pulleys facing up.
6. Lift the belt off the large pulley, then off the small pulley.

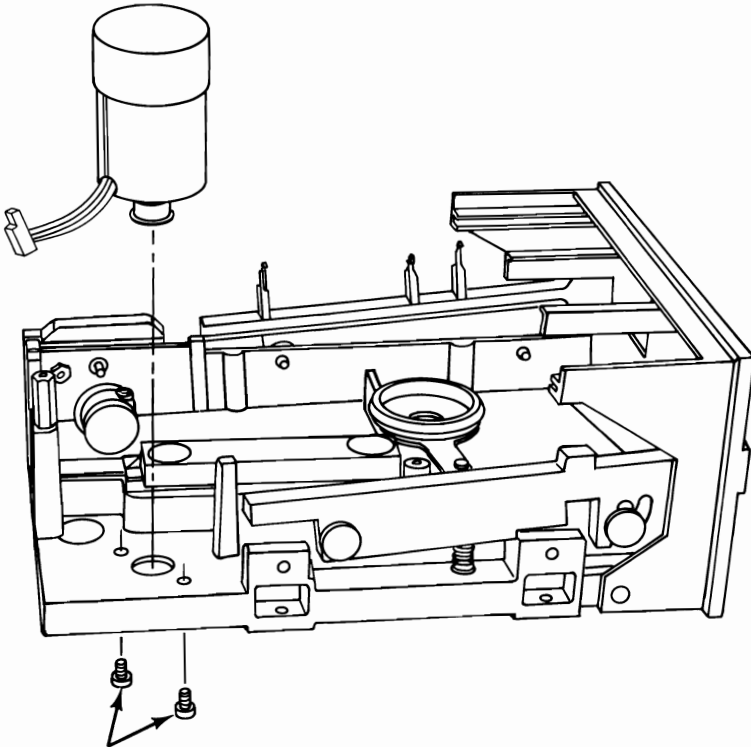
**Note:** When installing the belt, ensure that the dark, shiny side of the belt faces the pulleys.



**Bottom View**

## Drive Motor 1130-3

1. Power off the system.
2. Unplug the system unit (and expansion unit) power cord from the outlet.
3. Remove the system unit cover (**1005**).
4. Remove the diskette drive.
5. Remove the diskette-drive logic board (**1120-3**).
6. Remove the drive belt (**1125-3**).
7. Remove the two drive motor mounting screws.
8. Remove the drive motor.

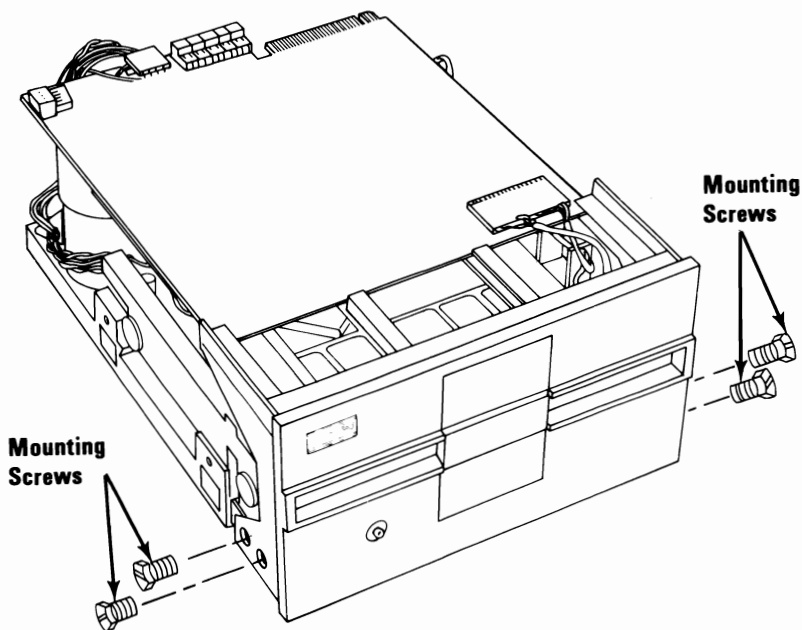


**Motor Mounting  
Screws**

## Front Panel 1140-3

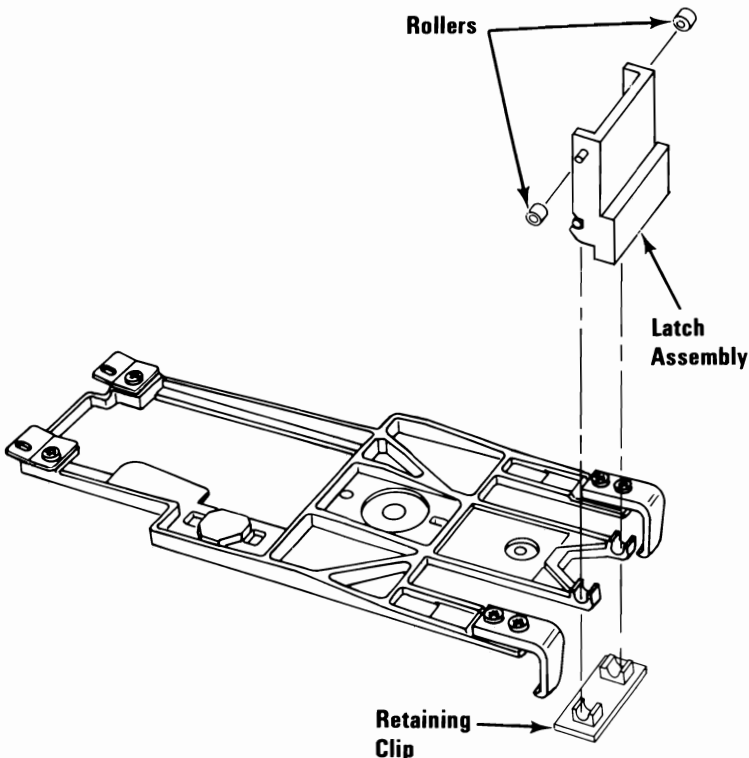
**Note:** When opening and closing the cone lever arm, insert a piece of paper between the heads to protect them.

1. Power off the system.
2. Unplug the system unit (and expansion unit) power cord from the outlet.
3. Remove the system unit cover (1005).
4. Remove the diskette drive.
5. Remove the diskette-drive logic board (1120-3).
6. Remove the latch assembly (1145-3).
7. Remove the LED assembly from the front panel (1150-3).
8. Remove the four front panel mounting screws.
9. Remove the front panel from the diskette drive.



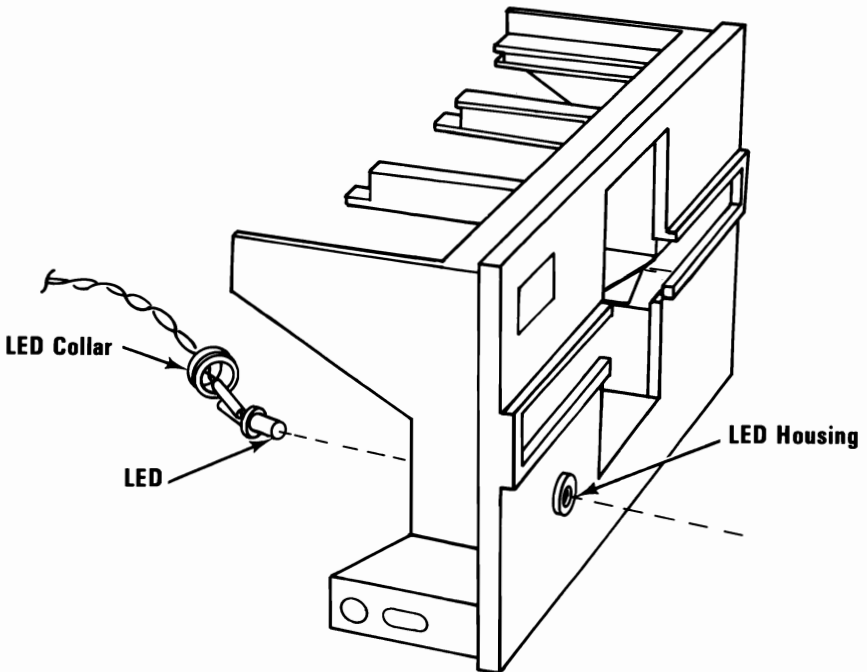
## Latch Assembly 1145-3

1. Power off the system.
2. Unplug the system unit (and expansion unit) power cord from the outlet.
3. Remove the system unit cover (1005).
4. Remove the diskette drive.
5. Remove the logic board (1120-3).
6. Open the latch assembly.
7. Remove the latch assembly retaining clip.
8. Disengage the latch assembly from the cone lever arm.
9. Slide the latch assembly to the rear of the front panel, and lift it out of the front panel. Be careful not to lose the rollers.



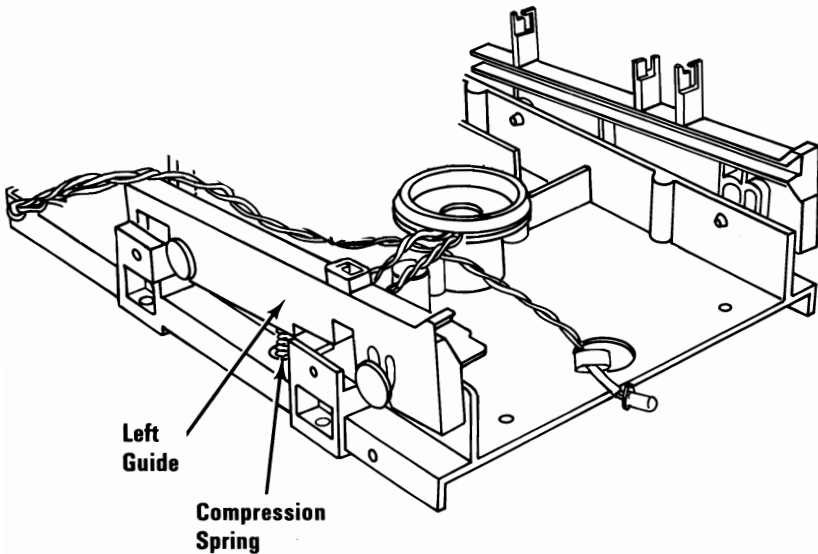
## LED Assembly 1150-3

1. Power off the system.
2. Unplug the system unit (and expansion unit) power cord from the outlet.
3. Remove the system unit cover (**1005**).
4. Remove the diskette drive.
5. Remove the diskette-drive logic board (**1120-3**).
6. Insert a screwdriver between the front panel and the LED collar and force the collar off the LED housing.
7. From the front of the front panel, push the LED out toward the rear of the diskette drive.



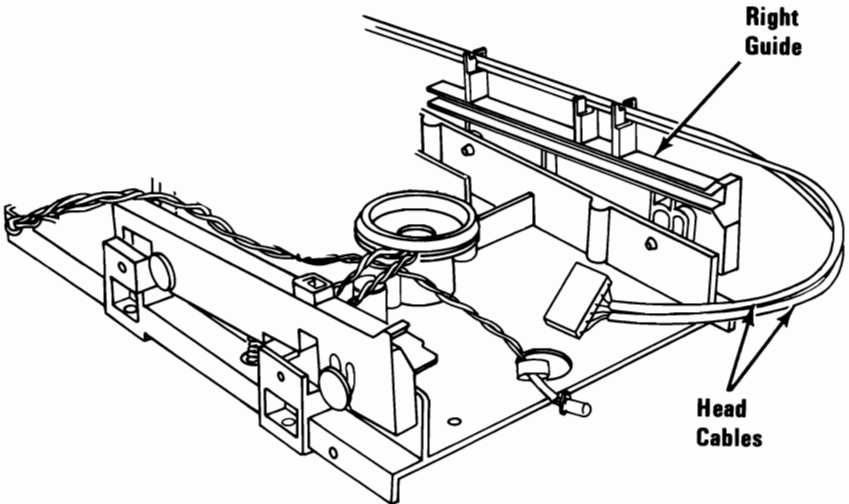
## Left Diskette Guide and Write Protect Sensor Assembly 1155-3

1. Power off the system.
2. Unplug the system unit (and expansion unit) power cord from the outlet.
3. Remove the system unit cover (1005).
4. Remove the diskette drive.
5. Remove the diskette-drive logic board (1120-3).
6. Cut the cable tie that holds the LED cables to the cone lever arm.
7. Remove the front panel (1140-3).
8. Lifting from the front, remove the left diskette guide and write-protect sensor assembly from the studs, along with the compression spring.



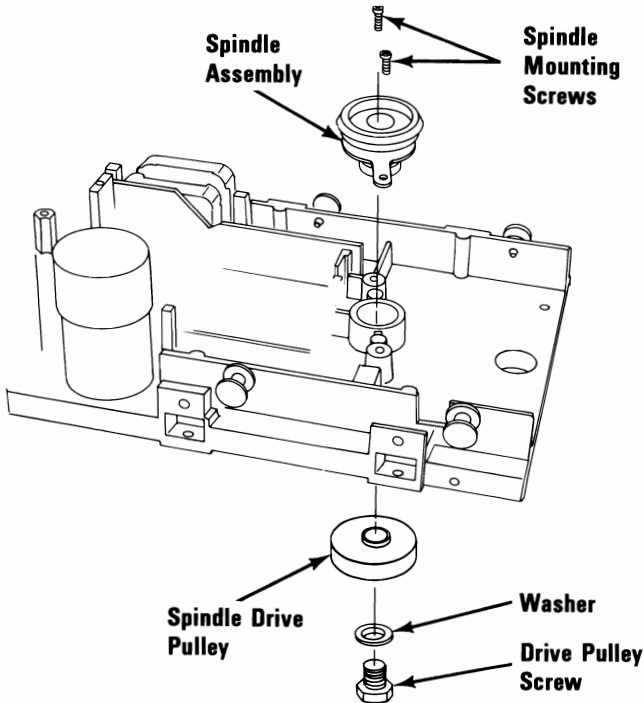
## Right Diskette Guide 1160-3

1. Power off the system.
2. Unplug the system unit (and expansion unit) power cord from the outlet.
3. Remove the system unit cover (1005).
4. Remove the diskette drive.
5. Remove the diskette-drive logic board (1120-3).
6. Remove the front panel (1140-3).
7. Remove the head cables from the right diskette guide.
8. Lifting from the front, remove the right diskette guide from the studs, along with the compression spring.



# Spindle Assemble 1170-3

1. Power off the system.
2. Unplug the system unit (and expansion unit) power cord from the outlet.
3. Remove the system unit cover (1005).
4. Remove the diskette drive.
5. Remove the diskette-drive logic board (1120-3).
6. Remove the cone lever arm (1105-3).
7. Remove the drive belt (1125-3).
8. Remove the screw (left-hand thread) and washer from the spindle drive pulley and remove the pulley.
9. Remove the spindle mounting screws.
10. Lift the spindle assembly out of the diskette drive.

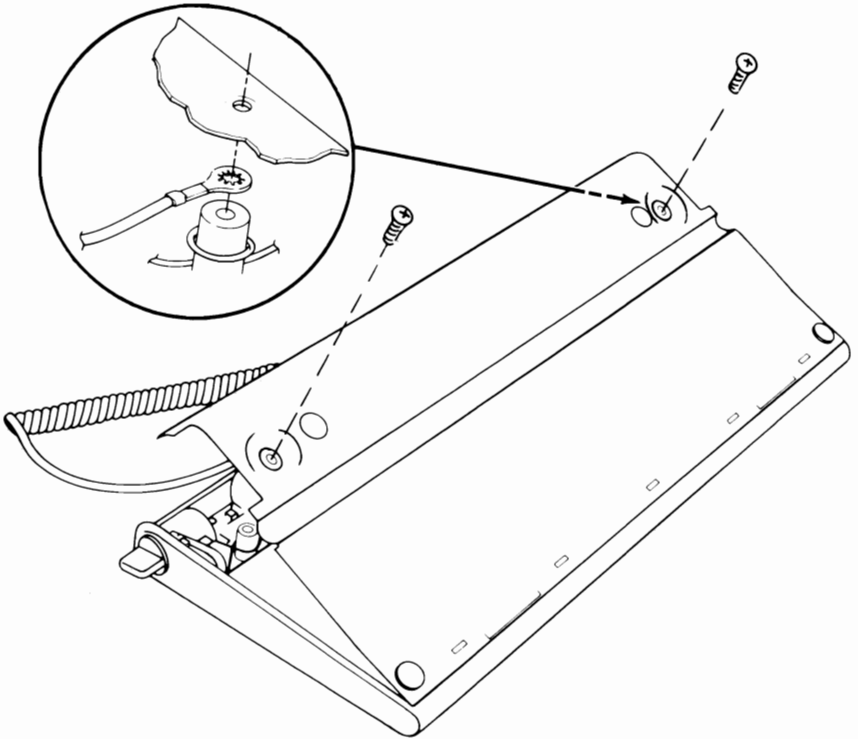




# Keyboard

## 83-Key Keyboard Base 1200

1. Power off the system, and disconnect the keyboard cable from the rear of the system unit.
2. Place the keyboard with the bottom facing up and remove the two mounting screws.
3. Rotate the base up and out of the front retaining slots.



## 83-Key Keyboard Assembly 1205

1. Power off the system, and disconnect the keyboard cable from the rear of the system unit.
2. Remove the keyboard base (1200).
3. Disconnect the cable from the keyboard assembly.
4. Lift the rear of the keyboard assembly up and out of the cover.

